



LAYOUT SHOWN AS EXAMPLE

Keying Shown as example

CHARACTERISTICS

- Standard : Based on MIL-DTL-38999 Series III
- Shell Material : Stainless Steel
- Shell Plating : Nickel
- Insulator : Thermoplastic
- Contacts : Copper Alloy
- Seals & Grommet : Silicon Elastomer
- Contact Plating : Gold over copper Alloy 0.8µm minimum
- Durability : 500 Mating cycles
- Delivered without Souriau contacts
- Temperature Range : -65°C to +200°C
- Salt Spray : 500 hours
- Mass : 43.74 g ± 10%

| Connector dimension | |
|---------------------|---------------|
| Dim | Nominal |
| P | 3.25±0.2 |
| PP | 4.39±0.2 |
| R1 | 24.61 |
| R2 | 23.01 |
| S | 31±0.3 |
| V | 20.83+0/-1.25 |
| W | 2.1/2.5 |
| Z | 31.5 Max |
| VV THREAD | M22x1-6g |

SOURIAU shall not be liable for any non-conformity or damage due to a use of the Products which does not comply with the Specifications issued by either of the Parties or by a third party (professional recommendation, technical notice.)

| | |
|---------|-----------------------------|
| Country | Jurisdiction & Control List |
| FR | Not Listed |

PN: 8D015S35PCL

| | | | |
|----------------|---|--------------------------------|---|
| A | 12-10-2016 | First Release | |
| ISS | DATE | Latest modification - by | MOD N° |
| Designed By: | | Date: | CUSTOMER DRAWING |
| TITLE | Stainless Steel Receptacle 8D series | | |
| SCALE | NA | General linear Tolerances: ±-- | NPRDS / PROJECT 859 |
| SOURIAU | WWW.SOURIAU.COM | | This document is the property of SOURIAU it must not be reproduced or communicated without permission |
| FORMAT | A3 | | SOURIAU DRG N° 8D015S35PCL-C |
| | | | SHEET 1/2 |

| | | | | | | | | | | |
|----------------|--------------------------|---|---|----|---|----|---|---|---|---------------------------------|
| BASIC SERIES: | 8D | 0 | - | 15 | S | 35 | P | C | L | Delivered W/O Contacts |
| SHELL TYPE : | Square Flange Receptacle | | | | | | | | | ORIENTATION : C |
| CONTACT TYPE : | Standard Crimp Contact | | | | | | | | | CONTACT TYPE : PIN(500 Matings) |
| SHELL SIZE : | 15 | | | | | | | | | CONTACT LAYOUT : 15-35 |
| PLATING : | S = Nickel | | | | | | | | | |

Contact Layout

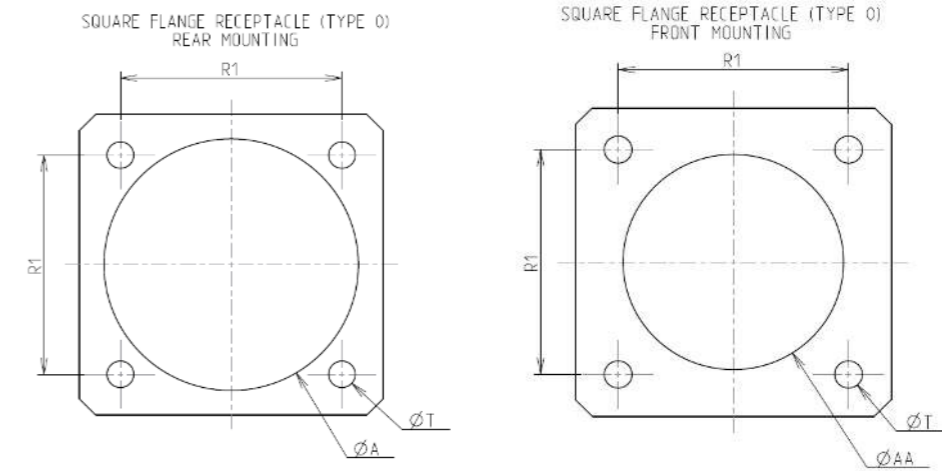


| Contacts (Insert arrangement 15-35) | | | | | |
|--|-------------|-------------|---------------------|-------------|-------------|
| Contact position ID | Location | | Contact position ID | Location | |
| | X-axis (mm) | Y-axis (mm) | | X-axis (mm) | Y-axis (mm) |
| 1 | +045 (1.14) | +262 (6.65) | 20 | +123 (3.12) | +119 (3.02) |
| 2 | +123 (3.12) | +217 (5.51) | 21 | +170 (4.32) | +040 (1.02) |
| 3 | +211 (5.36) | +160 (4.06) | 22 | +170 (4.32) | -050 (1.27) |
| 4 | +254 (6.45) | +080 (2.03) | 23 | +123 (3.12) | -127 (3.23) |
| 5 | -200 (0.70) | -010 (2.5) | 24 | -045 (1.14) | -172 (4.37) |
| 6 | +247 (6.27) | -098 (2.49) | 25 | -045 (1.14) | -127 (4.37) |
| 7 | +200 (5.08) | -175 (4.45) | 26 | -123 (3.12) | -127 (3.23) |
| 8 | +130 (3.30) | -232 (5.89) | 27 | -170 (4.32) | -050 (1.27) |
| 9 | +045 (1.14) | -262 (6.65) | 28 | -170 (4.32) | +040 (1.02) |
| 10 | -045 (1.14) | -262 (6.65) | 29 | -123 (3.12) | +119 (3.02) |
| 11 | -130 (3.30) | -232 (5.89) | 30 | -045 (1.14) | +172 (4.37) |
| 12 | -200 (5.08) | -175 (4.45) | 31 | +045 (1.14) | +074 (1.88) |
| 13 | -247 (6.27) | -098 (2.49) | 32 | +090 (2.29) | -004 (0.10) |
| 14 | -266 (6.76) | -010 (2.5) | 33 | +045 (1.14) | -082 (2.08) |
| 15 | -254 (6.45) | +080 (2.03) | 34 | -045 (1.14) | -082 (2.08) |
| 16 | -211 (5.36) | +160 (4.06) | 35 | -090 (2.29) | -004 (0.10) |
| 17 | -123 (3.12) | +217 (5.51) | 36 | -045 (1.14) | +074 (1.88) |
| 18 | -045 (1.14) | +262 (6.65) | 37 | +000 (0.00) | -004 (0.10) |
| 19 | +045 (1.14) | +172 (4.37) | | | |

(Applicable to MIL-DTL-38999 only)

| Shell size | Arrangement no. | Number of contacts | Size contacts | Service rating | Contact location | Supersedes |
|------------|-----------------|--------------------|---------------|----------------|------------------|------------|
| 15 | -35 | 37 | 22D | M | All | MS27528-35 |

Panel Cutout



| Dim | Nominal |
|-----|------------|
| ØA | 26.59 min |
| ØAA | 23.01 min |
| R1 | 24.61 |
| ØT | 3.25 ±0.13 |

SOURIAU shall not be liable for any non-conformity or damage due to a use of the Products which does not comply with the Specifications issued by either of the Parties or by a third party (professional recommendation, technical notice.)

| Country | Jurisdiction & Control List |
|---------|-----------------------------|
| FR | Not Listed |

PN: 8D015S35PCL

| | | | |
|----------------|---|----------------------------|---|
| A | 12-10-2016 | First Release | |
| ISS | DATE | Latest modification - by | MOD N° |
| Designed By: | | Date: | CUSTOMER DRAWING |
| TITLE | Stainless Steel Receptacle 8D series | | |
| SCALE | | General linear Tolerances: | NPRDS / PROJECT |
| NA | | ±-- | 859 |
| SOURIAU | WWW.SOURIAU.COM | | This document is the property of SOURIAU it must not be reproduced or communicated without permission |
| FORMAT | SOURIAU DRG N° 8D015S35PCL-C | | SHEET 2/2 |