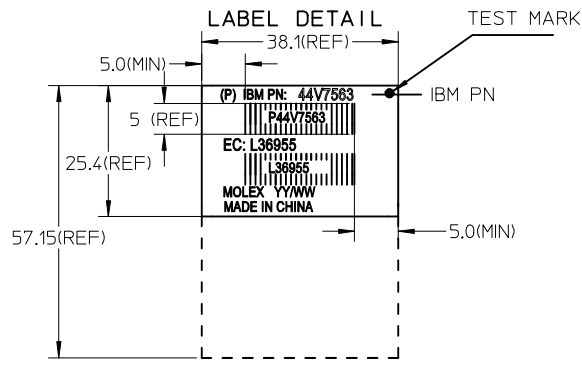
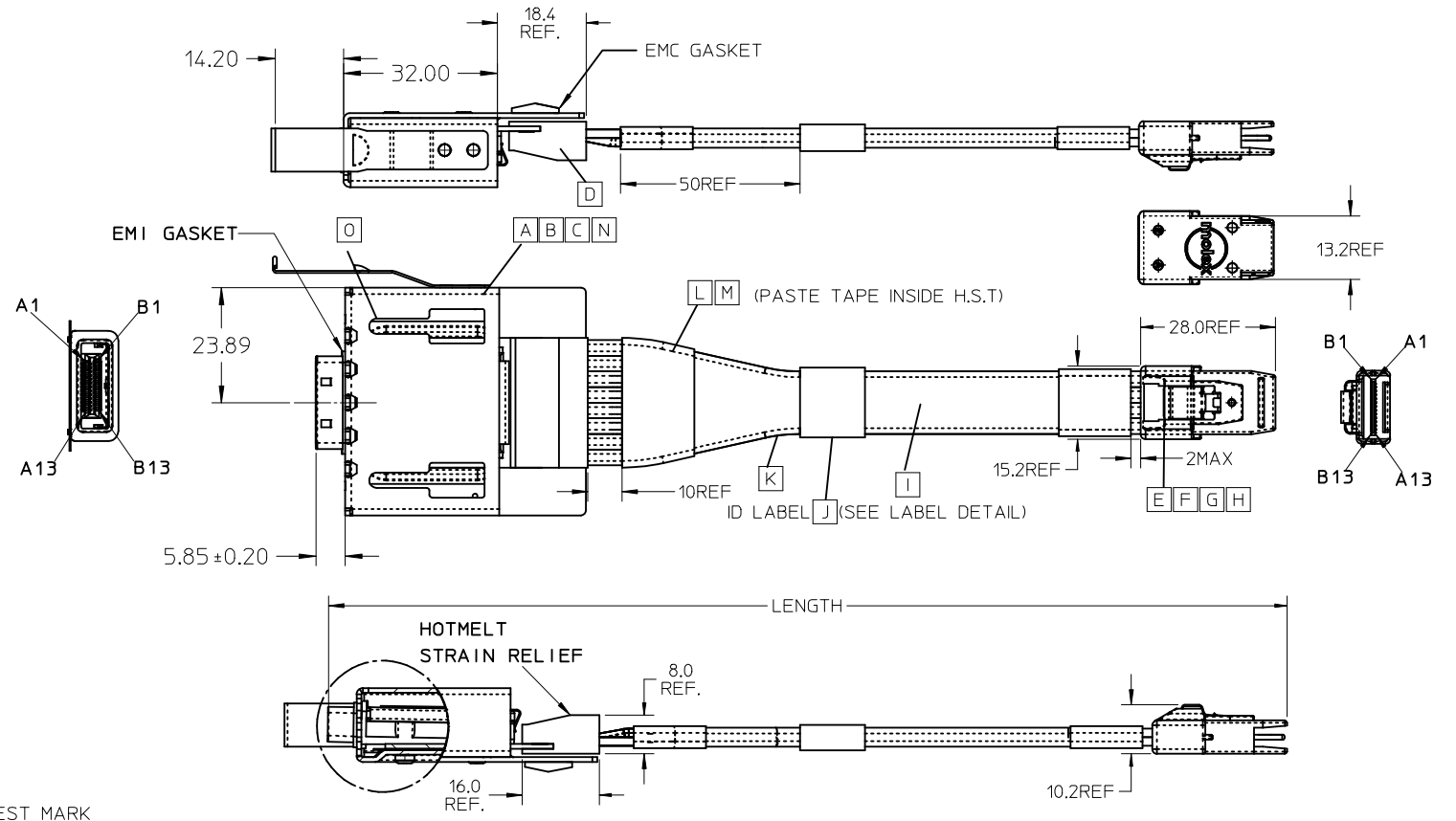


REVISIONS				
EC NO	DATE	REV	DESCRIPTION	CHANGER
CY09-5683	2012/06/08	F	CHANGE RAW CABLE P/N	Wend Meng
CY13-5158	2012/08/20	G	CHANGE DIMENSION FROM 6.06+/-0.13 TO 5.85+/-0.20	Wend Meng
CY13-5258	2012/08/20	H	ADD EC NUMBER BARCODE IN LABEL	Wend Meng

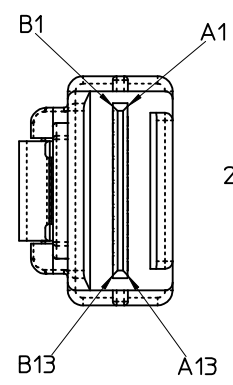
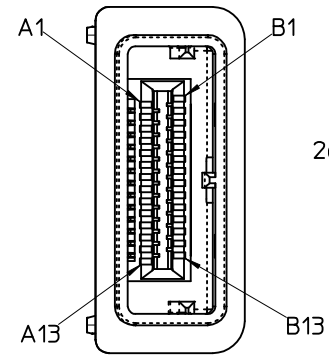
- NOTES:
- THIS PRODUCT MUST MEET MOLEX CHEMICAL SUBSTANCE SPECIFICATION FOR PRODUCTS.(MOLEX ES-40000-5016)
 - MATERIAL
 - (-1) PCB ASSEMBLED TO R/A 4X MINI SAS RECEPTACLE CONNECTOR
 - (-1) 26CKT INTERNAL IPASS CONNECTOR
 - (-1) STRAIN RELIEF MOLDING
 - (-4) SCREW, SIZE M2X6mm
 - (-4) LOCK WASHER, SIZE M2
 - (-1) 1X IPASS RAIL COVER
 - (-1) 1X IPASS RAIL, 1 DEGREE
 - ELECTRICAL PERFORMANCE REQUIREMENT REFER TO SAS 1.0 INDUSTRIAL STANDARD.
 - LABEL REQUIREMENT
 - BAR CODE USE CODE 39 ; TEXT FONT USE ARIAL
 - FONT SIZE IS 2MM REF.
 - IBM PN USE BOLD TYPE OF FONTS



MOLEX P/N	IBM P/N	IBM EC LEVEL	LENGTH (mm)	TOL. (mm)	CAGE	KEY
1110070111	44V7563	L36955	380.0	+/-8	745480119	2

ENTER DESCRIPTION EC NO: CPG2013-0492 DRW:ZYU 2012/08/23 CHK:WEND 2012/08/23 APP:CLAN01 2012/08/27	QUALITY SYMBOLS FA=0 FB=0 FC=0	GENERAL TOLERANCES (UNLESS SPECIFIED)		DIMENSION STYLE MM ONLY		SCALE ---	DESIGN UNITS METRIC	THIRD ANGLE PROJECTION
		mm	INCH	DRAWN BY ZYU	DATE 2012/06/15	TITLE INT TO EXT IPASS W/SHEET METAL BRACKET		
REV	DESCRIPTION	4 PLACES	± ---	± ---	CHECKED BY BILL CHEN	DATE 2009/01/06	molex	SHEET NO. 1 OF 2
		3 PLACES	± ---	± ---	APPROVED BY CLAN01	DATE 2012/06/18		
		2 PLACES	± 0.13	± ---	MATERIAL NO. 1110070111	DOCUMENT NO. SD-111007-0111		
		1 PLACE	± 0.25	± ---	THIS DRAWING CONTAINS INFORMATION THAT IS PROPRIETARY TO MOLEX INCORPORATED AND SHOULD NOT BE USED WITHOUT WRITTEN PERMISSION			
		0 PLACE	± ---	± ---				

FROM 26CKT	TO 26CKT	
IPASS RAIL	INTIPASS	
A1	A1	GND
A2	A2	RX0+
A3	A3	RX0-
A4	A4	GND
A5	A5	RX1+
A6	A6	RX1-
A7	A7	GND
A8	A8	RX2+
A9	A9	RX2-
A10	A10	GND
A11	A11	RX3+
A12	A12	RX3-
A13	A13	GND
B1	B1	GND
B2	B2	TX0+
B3	B3	TX0-
B4	B4	GND
B5	B5	TX1+
B6	B6	TX1-
B7	B7	GND
B8	B8	TX2+
B9	B9	TX2-
B10	B10	GND
B11	B11	TX3+
B12	B12	TX3-
B13	B13	GND



ITEM	DESCRIPTION	UNIT	Q'TY
O	Bracket metal sheet IBM#44V6650	PCS	1
N	PC Film (FR60) 27X28mm	PCS	1
M	BLACK TAPE	PCS	2
L	H.S.T	PCS	2
K	EXPANDO SLEEVE	M	0.3ref
J	Label 38.1x57.15mm (White:25.4mm)	PCS	1
I	2X30AWG-S;SHLD;PVC;RD;170x5.70MM;S-ATA	M	1.2ref
H	LATCH	PCS	1
G	PBT	g	5ref
F	PE RESIN	g	5ref
E	26CKT PCB	PCS	1
D	JETMOLD GLUE	g	10ref
C	M2x4.0mm IBM 40K6541	PCS	4
B	1x1 EMI GUIDE HOUSING ASSY ,1 DEGREE,SAS	PCS	1
A	PCBA	PCS	1

*ALL GROUNDS ARE COMMON

ENTER DESCRIPTION EC NO: CPG2013-0492 DRWN: ZYU 2012/08/23 CH'K: WEND 2012/08/23 APPR: CLAN01 2012/08/27	QUALITY SYMBOLS $\nabla = 0$ $\nabla = 0$ $\nabla = 0$	GENERAL TOLERANCES (UNLESS SPECIFIED) mm INCH 4 PLACES \pm --- \pm --- 3 PLACES \pm --- \pm --- 2 PLACES \pm 0.13 \pm --- 1 PLACE \pm 0.25 \pm --- 0 PLACE \pm --- \pm --- ANGULAR \pm --- ° DRAFT WHERE APPLICABLE MUST REMAIN WITHIN DIMENSIONS	DIMENSION STYLE MM ONLY DRAWN BY: ZYU DATE: 2012/06/15 CHECKED BY: BILL CHEN DATE: 2009/01/06 APPROVED BY: CLAN01 DATE: 2012/06/18	SCALE: --- DESIGN UNITS: METRIC THIRD ANGLE PROJECTION	TITLE: INT TO EXT IPASS W/SHEET METAL BRACKET molex MATERIAL NO. 1110070111 DOCUMENT NO. SD-111007-0111 SHEET NO. 2 OF 2
	THIS DRAWING CONTAINS INFORMATION THAT IS PROPRIETARY TO MOLEX INCORPORATED AND SHOULD NOT BE USED WITHOUT WRITTEN PERMISSION				
	SIZE: A3				
	REV:				