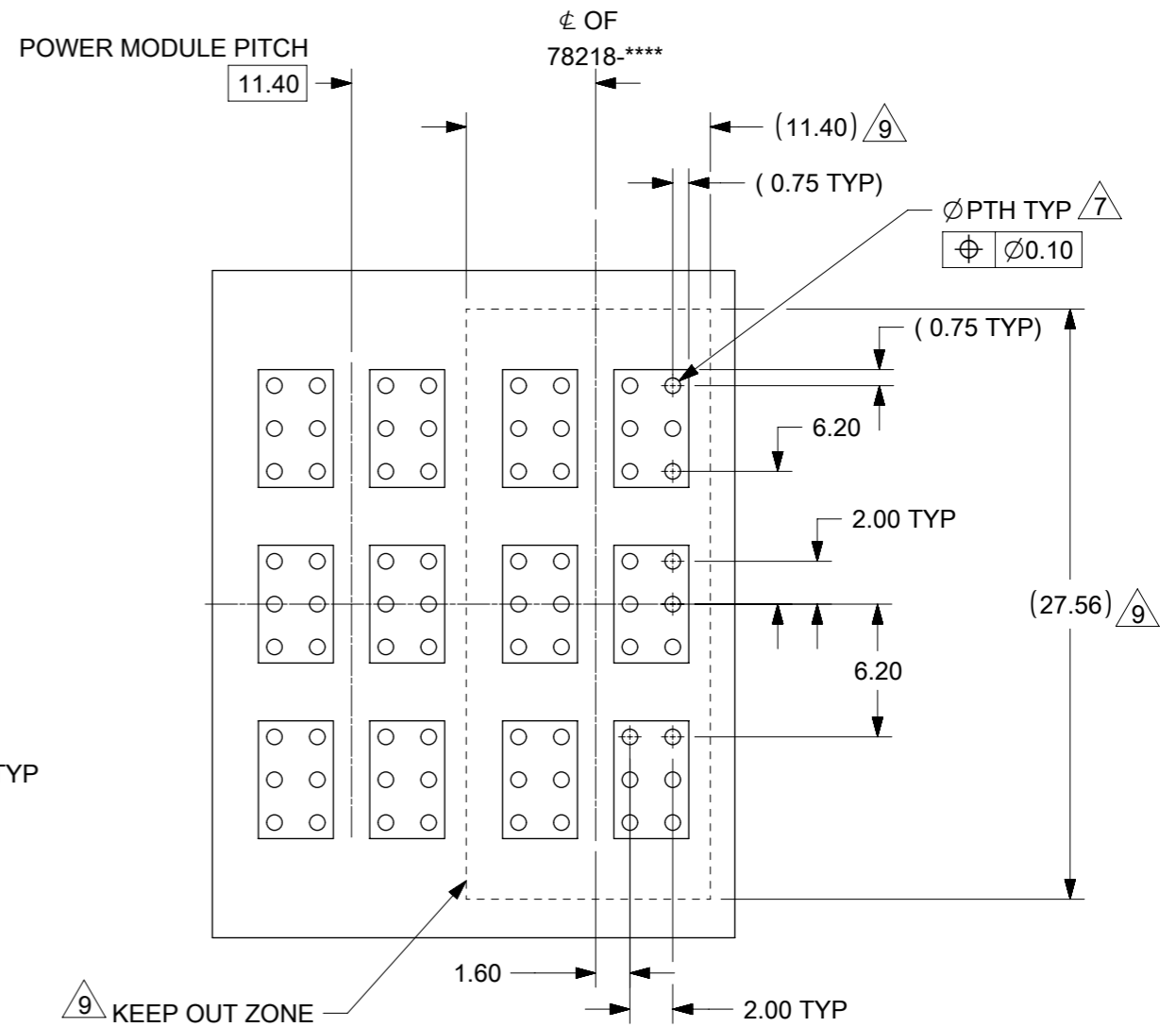
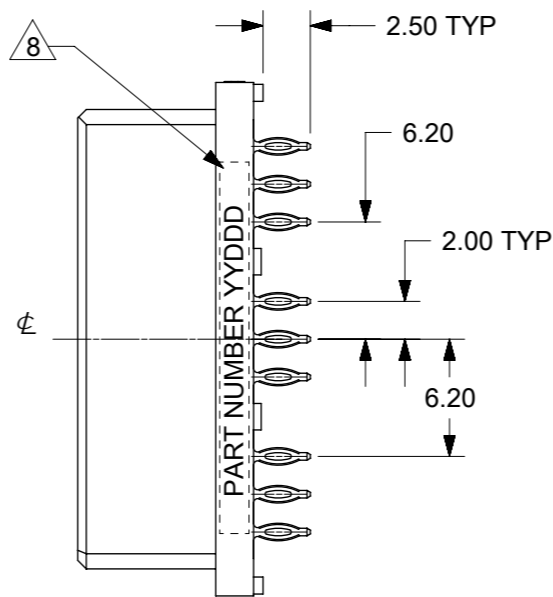
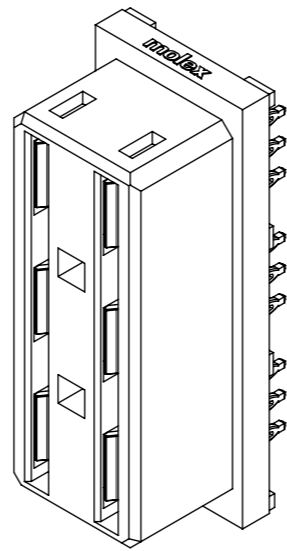
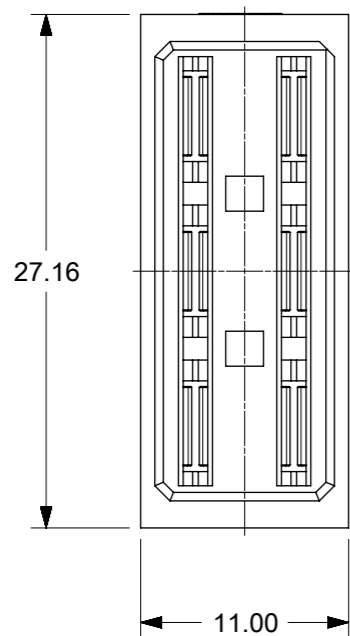
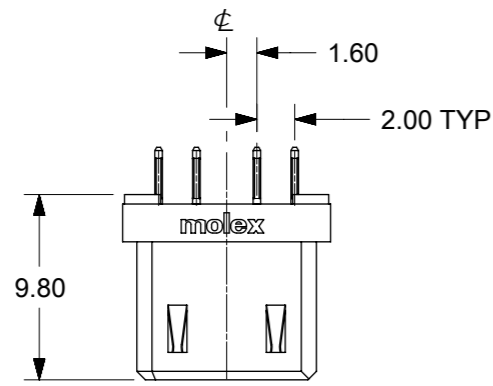


PART NUMBER	PLATING OPTION	PACKAGING
78218-1001	TIN PLATING	TRAY



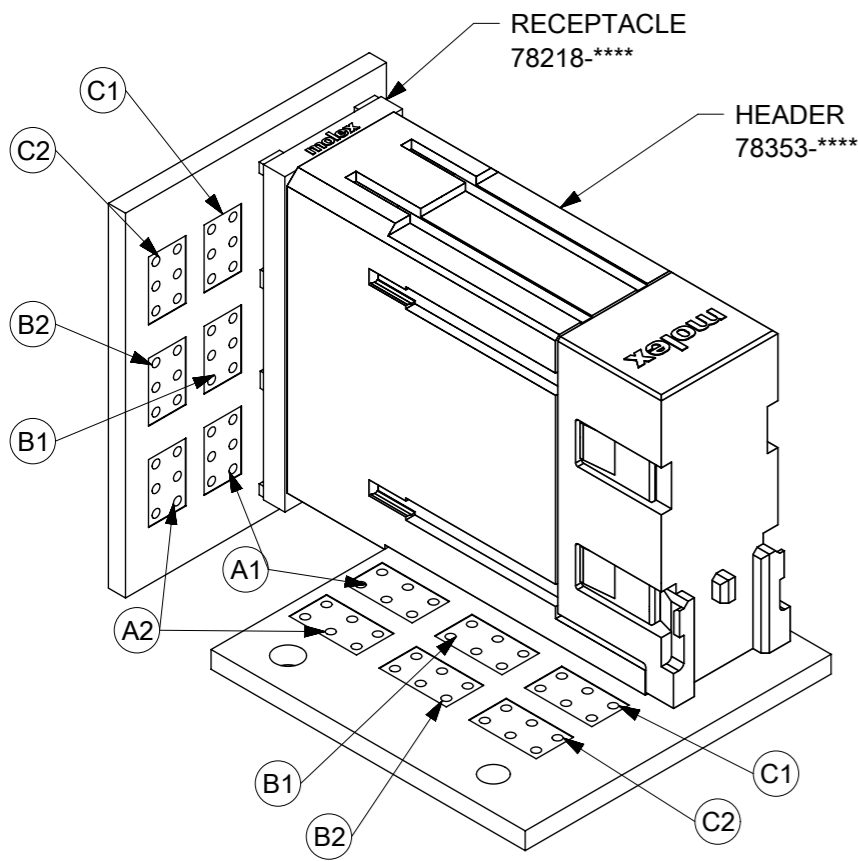
## RECOMMENDED PCB LAYOUT

(COMPONENT SIDE SHOWN)  
MINIMUM BOARD THICKNESS: 1.60mm

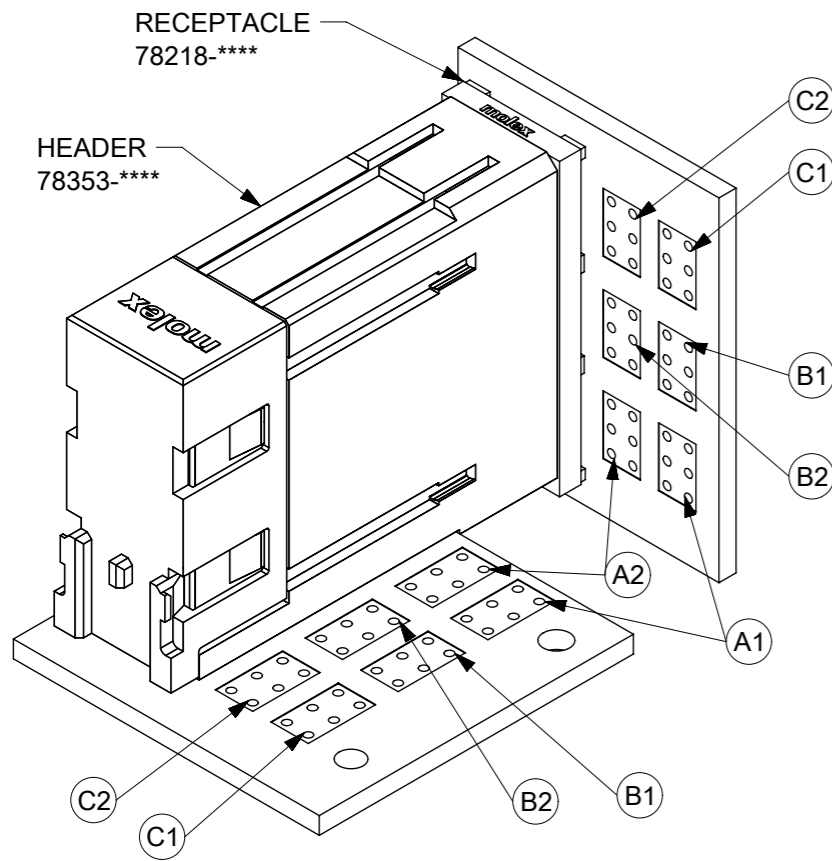
### NOTES:

- MATERIAL:  
HOUSING - LCP, GLASS FILLED, UL94-V0, COLOR: BLACK  
POWER PIN - COPPER ALLOY
- FINISHES:  
TIN - 0.76 $\mu$ m MINIMUM GOLD AT CONTACT AND  
2.54 $\mu$ m MINIMUM TIN AT SOLDER TAIL AREA OVER  
1.27 $\mu$ m MINIMUM NICKEL UNDERPLATE OVERALL.
- PRODUCT SPECIFICATION: PS-78213-001.
- PACKAGING SPECIFICATION: PK-78218-001.
- MATES WITH 78442-\*\*\*\* or 78353-\*\*\*\*.
- REFER SHEET 2 FOR RECOMMENDED PCB LAYOUT.
- REFER TO PRODUCT SPECIFICATION PS-78213-001 FOR PLATED THROUGH-HOLE SPECIFICATIONS.
- PART NUMBER AND DATE CODE (YYDDD) APPROXIMATELY SHOWN.
- KEEP OUT ZONE FROM OTHER COMPONENTS.

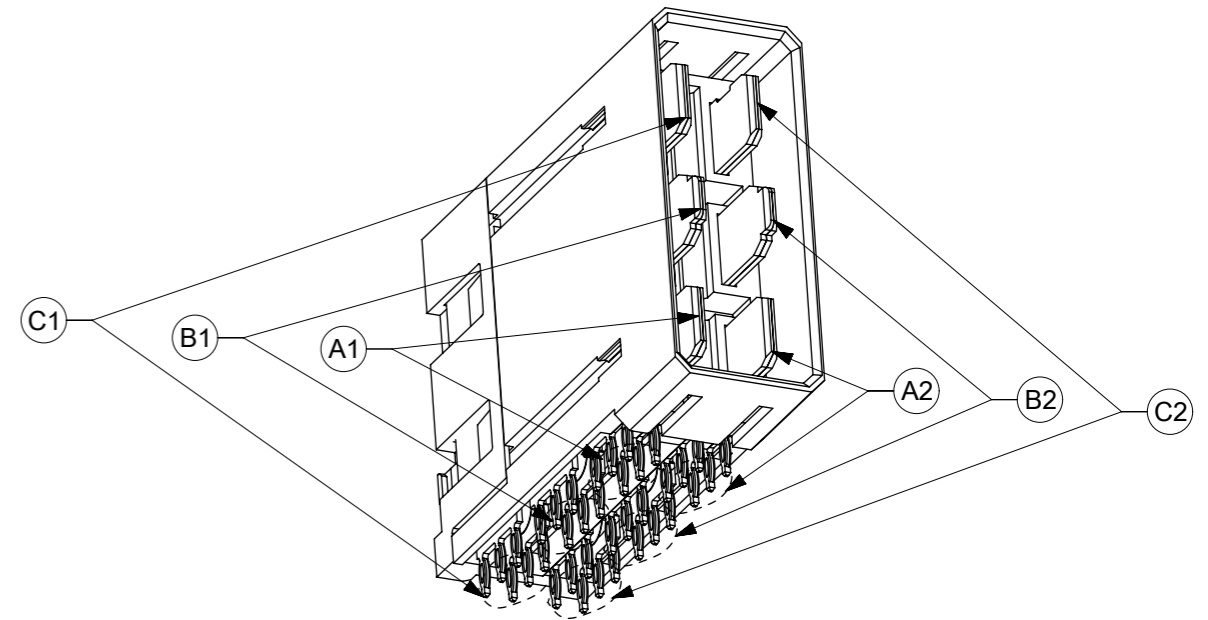
DIMENSION UNITS		SCALE	CURRENT REV DESC: MIGRATED TO NX					
mm	NTS					IMPACT POWER, 6 PAIR VERTICAL RECEPTACLE PRESS-FIT		
GENERAL TOLERANCES (UNLESS SPECIFIED)			EC NO: 612508			PRODUCT CUSTOMER DRAWING		
ANGULAR TOL	±	3.0°	DRWN: RHA02	2019/02/06				
4 PLACES	±		CHK'D: ABN	2019/03/12				
3 PLACES	±		APPR: CWANG25	2019/03/13				
2 PLACES	±	0.25	INITIAL REVISION:			DOCUMENT NUMBER		
1 PLACE	±		DRWN: ANG	2009/03/17	SD-78218-002			
0 PLACES	±		APPR: SHONG	2009/03/23	DOC TYPE	DOC PART	REVISION	
DRAFT WHERE APPLICABLE MUST REMAIN WITHIN DIMENSIONS			THIRD ANGLE PROJECTION	DRAWING	SERIES	MATERIAL NUMBER	CUSTOMER	SHEET NUMBER
				A3-SIZE	78218	SEE TABLE	GENERAL MARKET	1 OF 2



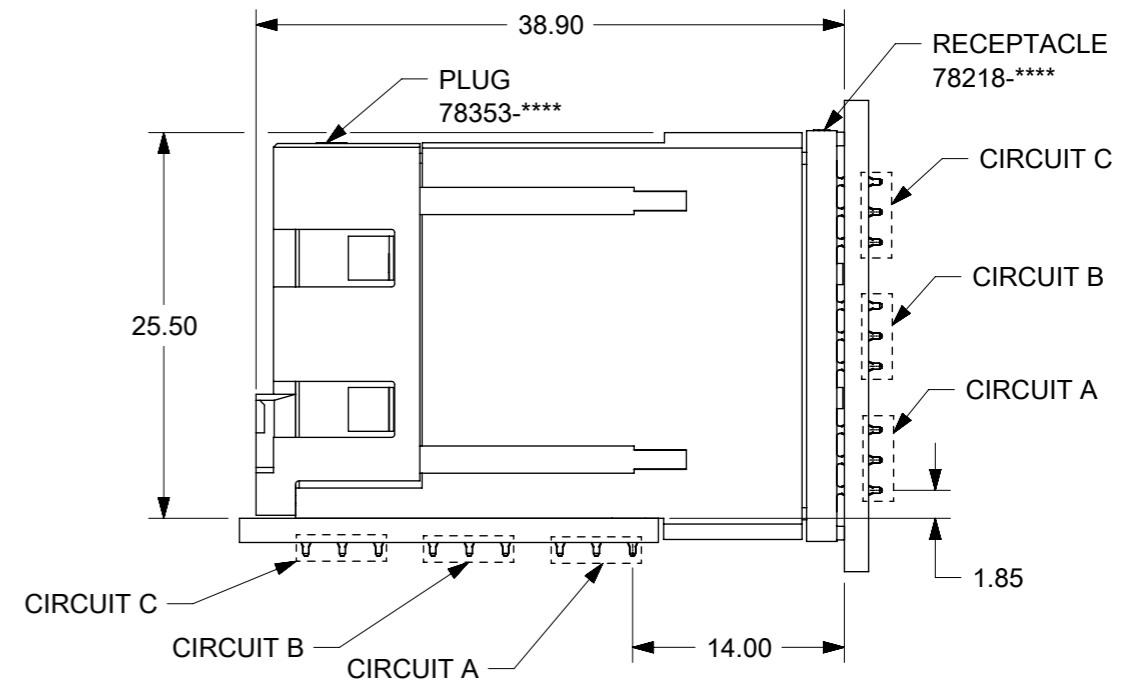
SERIES NUMBER 78353; LEFT HOLD DOWN:  
1 POWER MODULE AND HOLD DOWN REMOVED TO  
ILLUSTRATE CIRCUIT PATH OF MATED SYSTEM



SERIES NUMBER 78353; RIGHT HOLD DOWN:  
1 POWER MODULE AND HOLD DOWN REMOVED TO  
ILLUSTRATE CIRCUIT PATH OF MATED SYSTEM



PIN NUMBER ASSIGNMENT BASED ON HEADER SIDE:  
A1, B1 ON THE LEFT  
A2, B2 ON THE RIGHT



MATED SYSTEM OF 78218 & 78353

THIS DRAWING CONTAINS INFORMATION THAT IS PROPRIETARY TO MOLEX ELECTRONIC TECHNOLOGIES, LLC AND SHOULD NOT BE USED WITHOUT WRITTEN PERMISSION		CURRENT REV DESC: MIGRATED TO NX		<b>molex</b>	
DIMENSION UNITS	SCALE				
mm	NTS			IMPACT POWER, 6 PAIR VERTICAL RECEPTACLE PRESS-FIT	
GENERAL TOLERANCES (UNLESS SPECIFIED)				PRODUCT CUSTOMER DRAWING	
ANGULAR TOL	± 3.0 °	EC NO:	612508	DOCUMENT NUMBER	SD-78218-002
4 PLACES	±	DRWN:	RHA02 2019/02/06	DOC TYPE	PSD
3 PLACES	±	CHK'D:	ABN 2019/03/12	DOC PART	001
2 PLACES	± 0.25	APPR:	CWANG25 2019/03/13	REVISION	A5
1 PLACE	±	INITIAL REVISION:			
0 PLACES	±	DRWN:	ANG 2009/03/17		
DRAFT WHERE APPLICABLE MUST REMAIN WITHIN DIMENSIONS		APPR:	SHONG 2009/03/23		
THIRD ANGLE PROJECTION		DRAWING	A3-SIZE	SERIES	78218
		MATERIAL NUMBER	SEE TABLE	CUSTOMER	GENERAL MARKET
				SHEET NUMBER	
				2 OF 2	