

# SPECIFICATIONS

RoHS Compliant

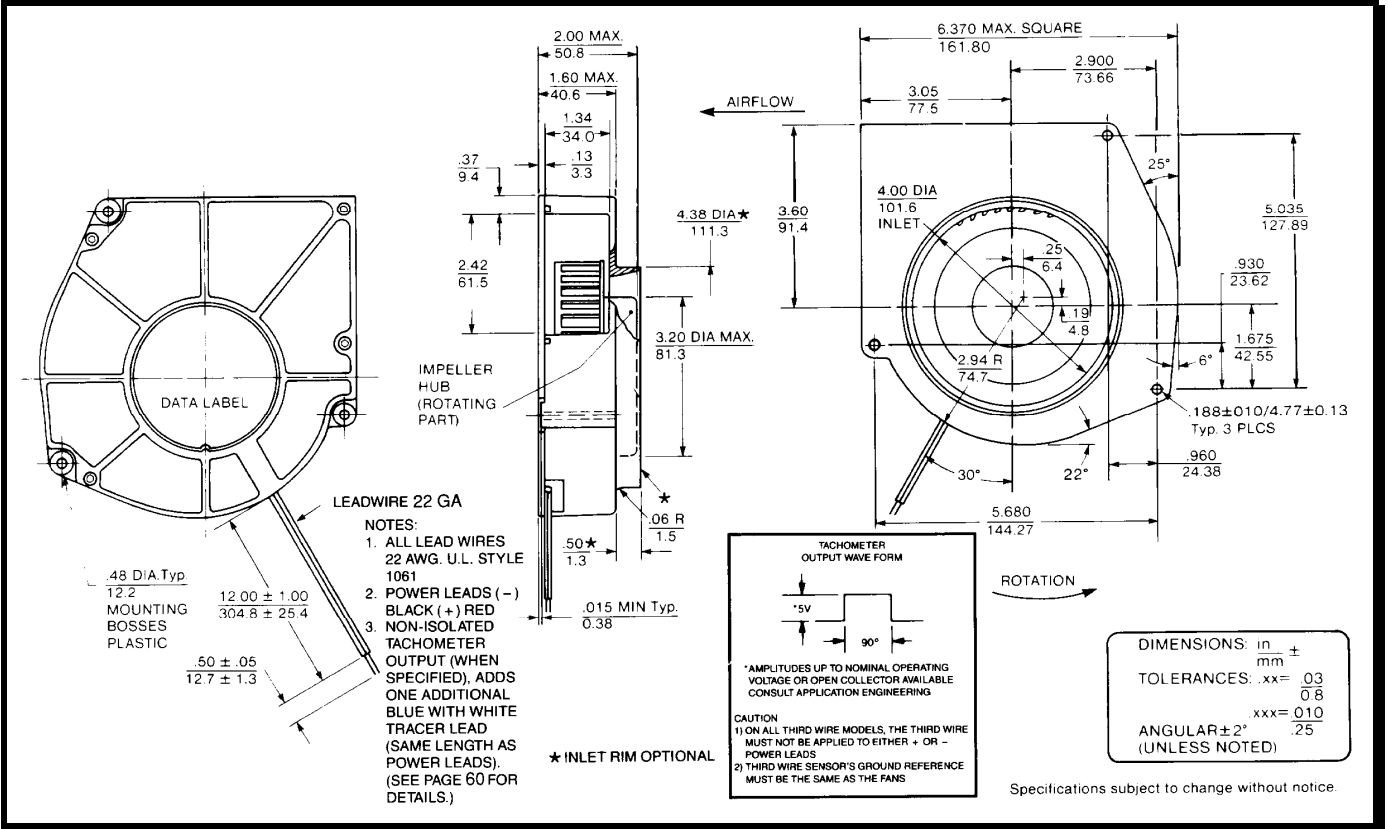
Model Number: SPD48B1

Part Number: 032196

April 19, 2001



## Mechanical Drawing:



### Specifications:

Nominal Voltage	= 48 vdc
Operating Voltage Range	= 24-56 vdc
Nominal Running Current	= 0.530 amps
Locked Rotor Current	= 0.940 amps
Running Power	= 24 watts
Average Speed	= 2500 rpm
Bearings	= Ball
Air Flow	= 60 CFM
Acoustic	= 57 dBA

### Construction:

Backplate: Die-Cast Zinc Alloy  
 Housing: Polycarbonate, Black, UL94V-0  
 Propeller: Polycarbonate, Black, UL94V-0

### Life Expectancy:

This fan is designed for continuous duty life of 62,000 hours at 50°C

### Features:

- Brushless DC Motor
- Polarity Protected
- Locked Rotor Protection
- Automatic Restart Capability
- Operating Temperature: -10°C to +70°C
- Storage Temperature: -40°C to +85°C

### Termination:

12" Lead-wires, AWG 22, UL 1061  
 Red = Power (+)  
 Black = Return (-)

### Agency Approvals:

UL