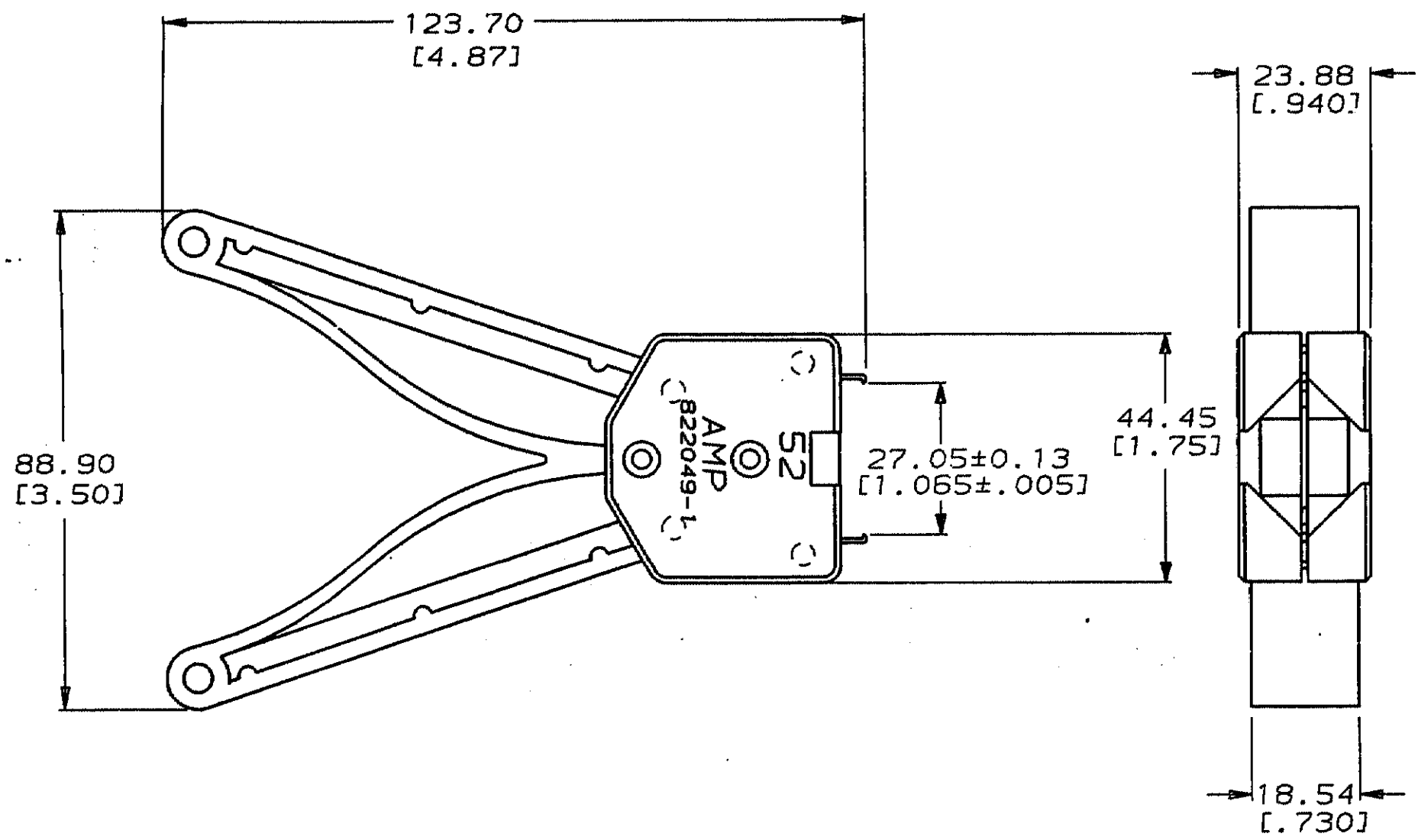


LOC	DIST	P	F	ZONE	LTR	REVISIONS	DATE	APPD
AG	53				B	REVISIED PER AG-3047	10-27-92	PC CW



822049-1 SHOWN

DO NOT SCALE PRINT. UNLESS SPECIFIED DIMENSIONS IN mm [INCHES] TOLERANCES ON: 2 PLC DEC ± 0.2 [.01] 3 PLC DEC ± 0.25 [.010] ANGLES ± -		DR 8-1-91 C. WHITT	PART NO	
MATERIAL HANDLE- POLYACETAL END CAPS- POLYACETAL HOOK- STAINLESS STEEL 1.07±0.08 [.042±.003] THK	CHK 8-1-91 R. MILLER	APPD 8-7-91 K. KREIDLER	AMP Incorporated Harrisburg, PA 17105-3608	
FINISH HANDLE- COLOR, BLUE END CAPS- COLOR, BLUE	APPD -	PRODUCT SPEC -	NAME TOOL, EXTRACTION, PLCC, 52 POSN.	
	APPLICATION SPEC -	WEIGHT -	SIZE B	CAGE CODE 00779
			SCALE 1:1	DRAWING NO 822049
				SHEET - OF -