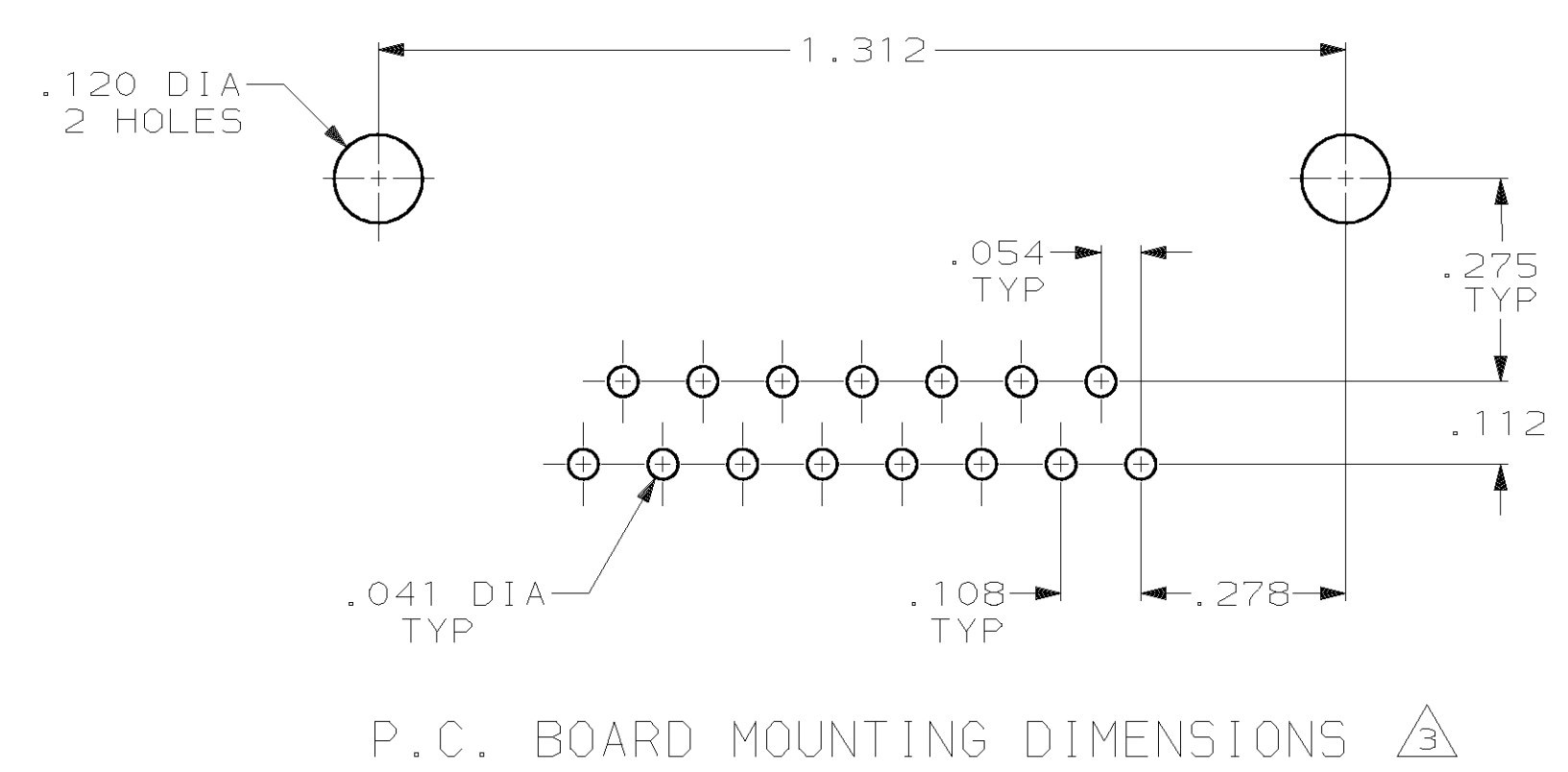
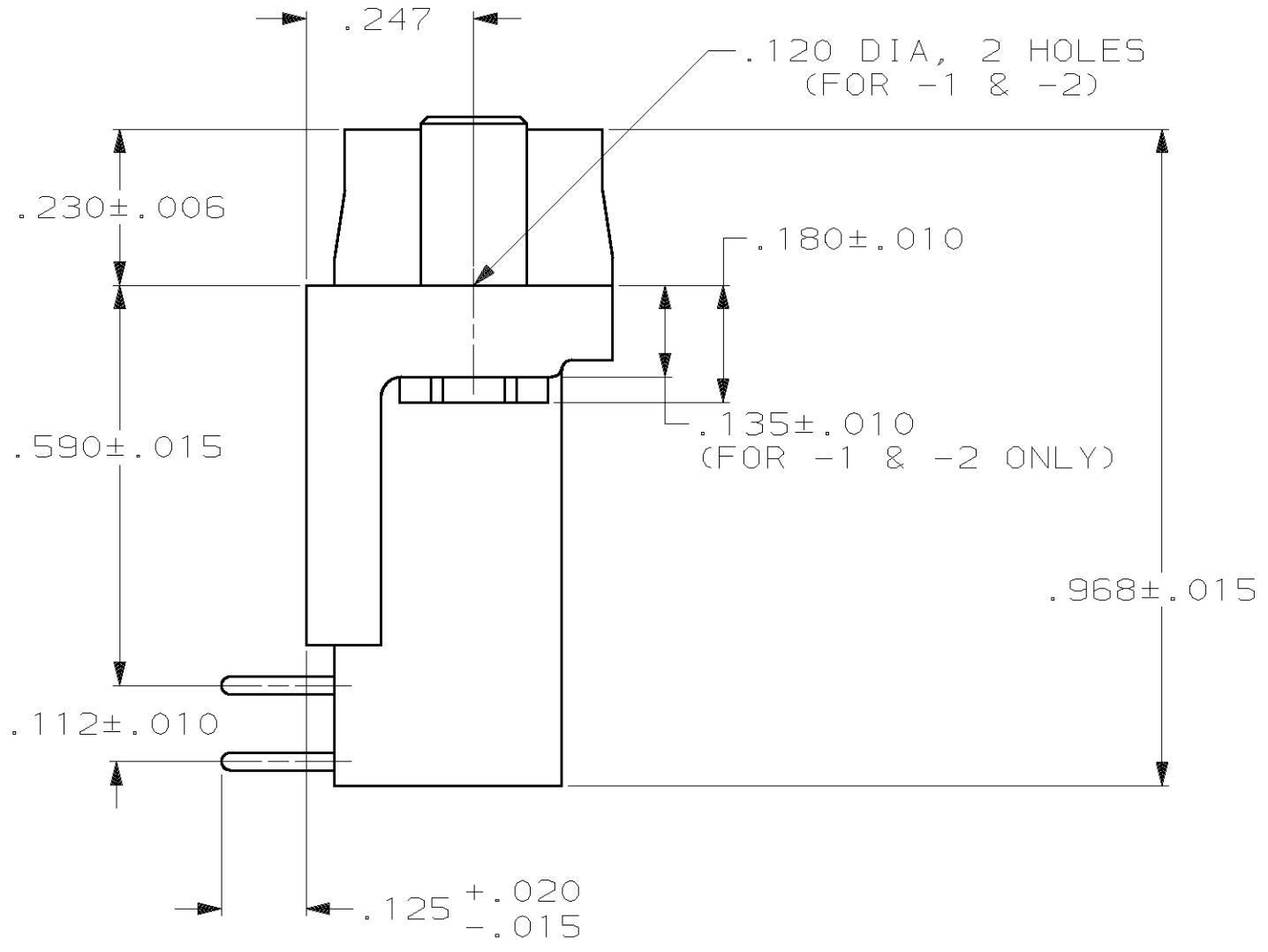
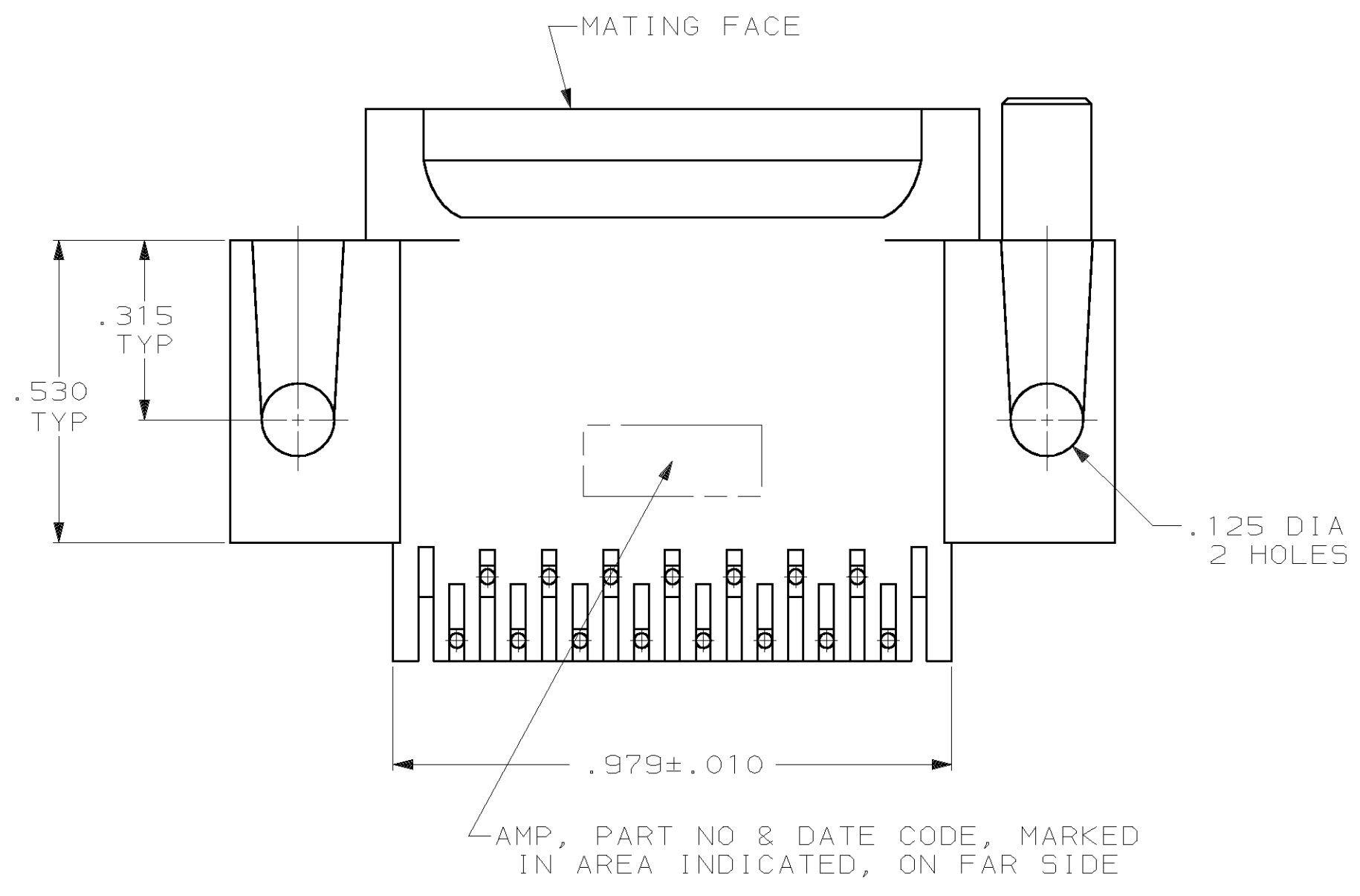
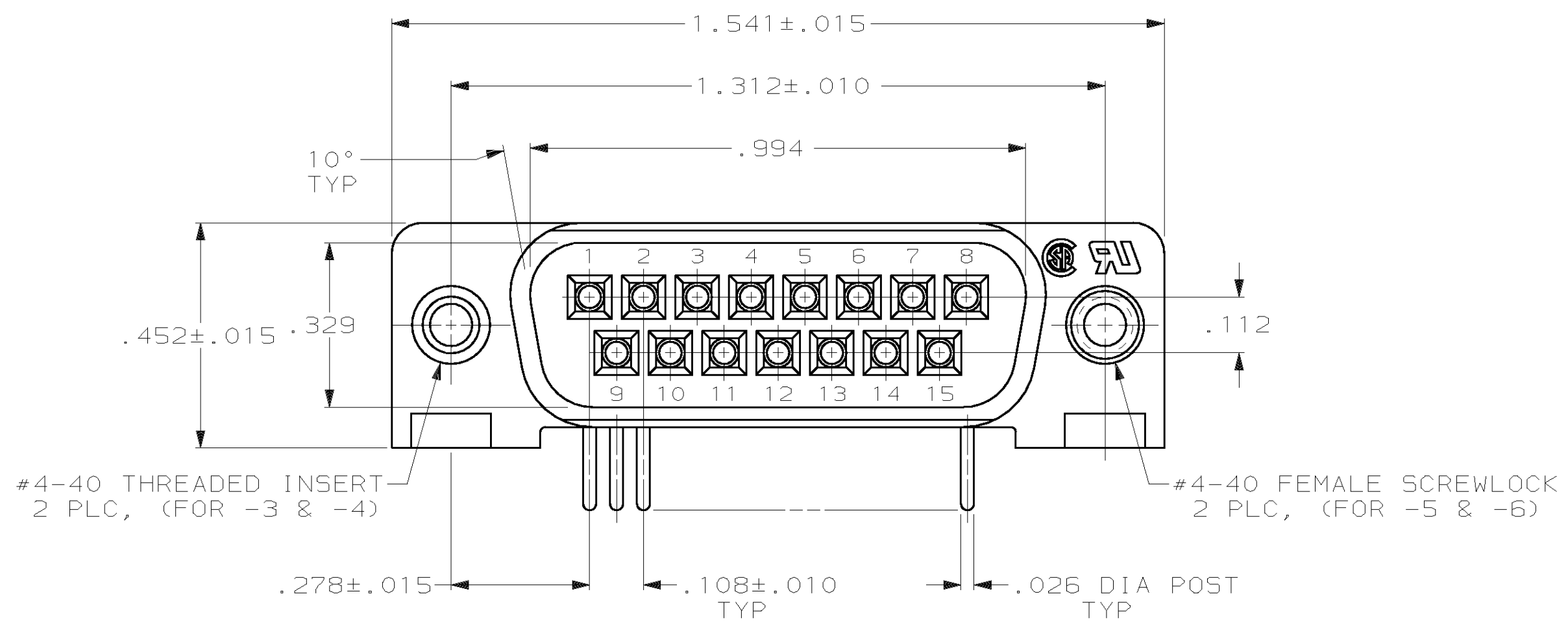


DRAWING MADE IN THIRD ANGLE PROJECTION
 THIS DRAWING IS UNPUBLISHED. RELEASED FOR PUBLICATION
 © COPYRIGHT 19 BY AMP INCORPORATED, HARRISBURG, PA. ALL INTERNATIONAL RIGHTS RESERVED. AMP PRODUCTS MAY BE COVERED BY U.S. AND FOREIGN PATENTS AND/OR PATENTS PENDING.

LOC		DIST		P		F		ZONE		LTR		REVISIONS		DATE	APPD
GP	00												DESCRIPTION		
												D	REV PER EC 0020-983-95	18 DEC 95	RT
												E	REV PER EC 0640-412-98	11 FEB 99	RT
												F	OBS -3 AND REV PER OUID-0126-00	01 NOV 00	RF
												G	REV PER EC 0UE0-0002-01	10 JAN 02	JR



- 1 FLAME RETARDANT, 94V-0 RATED, GLASS FILLED, NYLON OR POLYESTER, COLOR: BLACK.
- 2 ZINC.
- 3 REFER TO APPLICATION SPEC FOR RECOMMENDED P.C. BOARD MOUNTING DIMENSIONS FOR AUTOMATIC INSERTION.
- 4 GOLD PLATING PER MIL-G-45204, TIN PLATING PER MIL-T-10727, NICKEL PLATING PER QQ-N-290.
- 5 CLEAR CHROMATE.
- 6 GOLD PLATED FOR A LENGTH OF .150 MIN FROM MATING END, GOLD FLASH IN MATED AREA, WITH POINT OF MEASUREMENT .075 FROM MATING END OF CONTACT, .000100-.000200 TIN OR TIN-LEAD ON SOLDER END, ALL OVER .000050 NICKEL ON ENTIRE CONTACT.
- 7 GOLD PLATED FOR A LENGTH OF .150 MIN FROM MATING END, .000030 MIN GOLD IN MATED AREA, WITH POINT OF MEASUREMENT .075 FROM MATING END OF CONTACT, .000100-.000200 TIN OR TIN-LEAD ON SOLDER END, ALL OVER .000050 NICKEL ON ENTIRE CONTACT.

SUPSD BY 748952-1	WITH SCREWLOCKS	7	747468 -6
	OBSOLETE WITH SCREWLOCKS	6	747468 -5
SUPSD BY 748872-1	WITH INSERTS	7	747468 -4
	OBSOLETE WITH INSERTS	6	747468 -3
	WITH .120 DIA HOLE	7	747468 -2
SUPSD BY 747468-2	WITH .120 DIA HOLE	6	747468 -1

UNLESS OTHERWISE SPECIFIED DIMENSIONS ARE IN INCHES TOLERANCES ON :		DR	7-29-87	C RICHARD	AMP INCORPORATED	Harrisburg, Pa. 17105
2 PL DEC ±.005	3 PL DEC ±.005	CHK	8-3-87	5 WELDON	AMP NAME PLUG ASSY, SIZE 2, 15 POSN, RIGHT ANGLE, .590 SERIES, .026 DIA POSTS, AMPLIMITE® HD-20	
ANGLES ±2°		APPD	8-3-87	B TAYLOR		
MATERIAL	MOLDED PARTS: △	APPD	8-3-87	J ASSINI	PRODUCT SPEC	108-40005
CONTACTS: BRASS	HARDWARE: △	FINISH	△	CONTACTS: SEE TABLE	APPLICATION SPEC	114-40015
CONTACTS: △	HARDWARE: △	WEIGHT	-		SIZE	D
					FSCM NO	00779
					DRAWING NO	747468
					SCALE	4:1
					SHEET	1 of 1