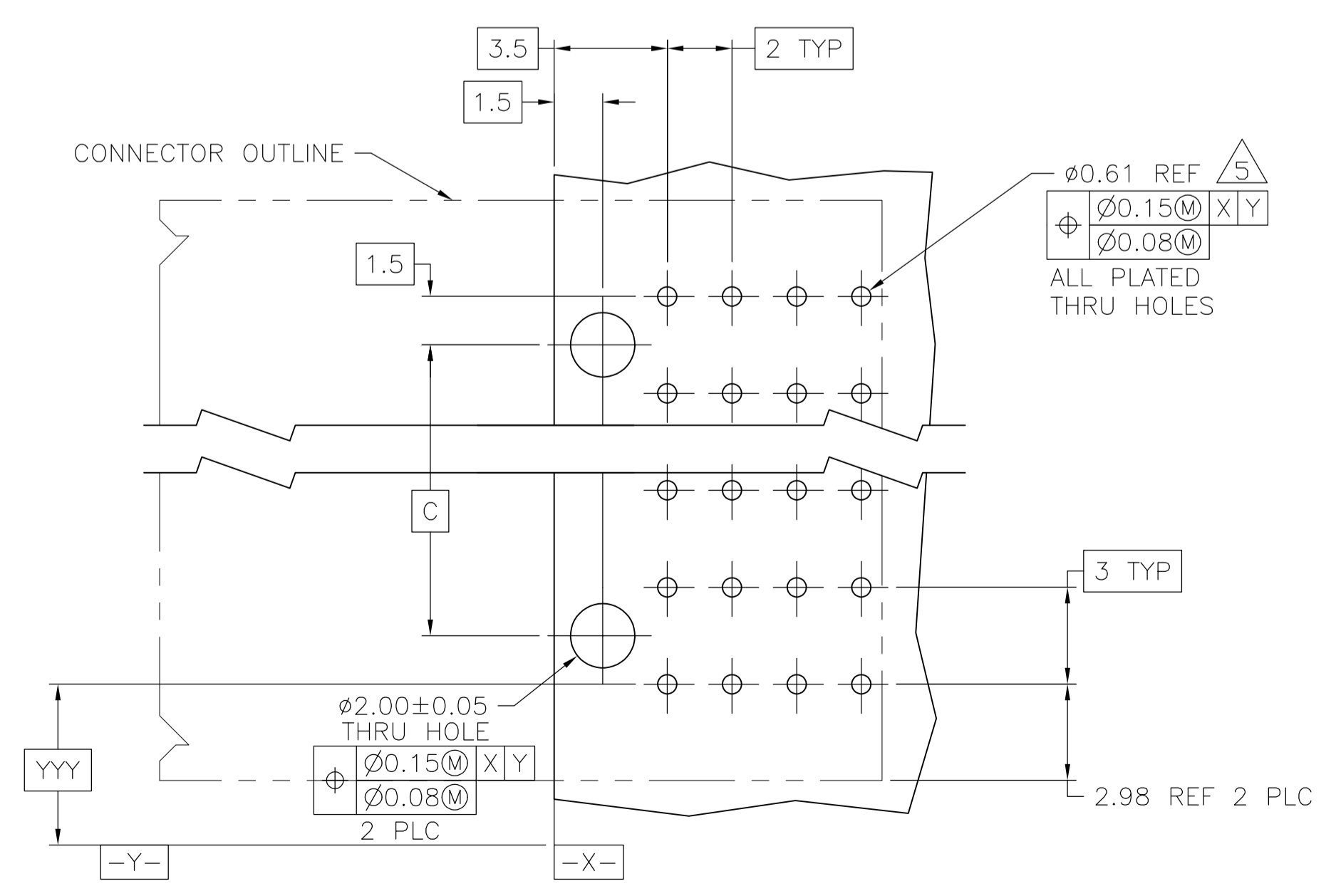
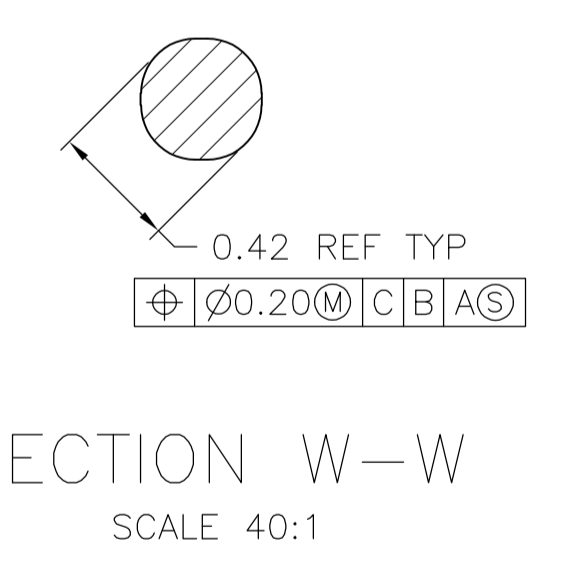
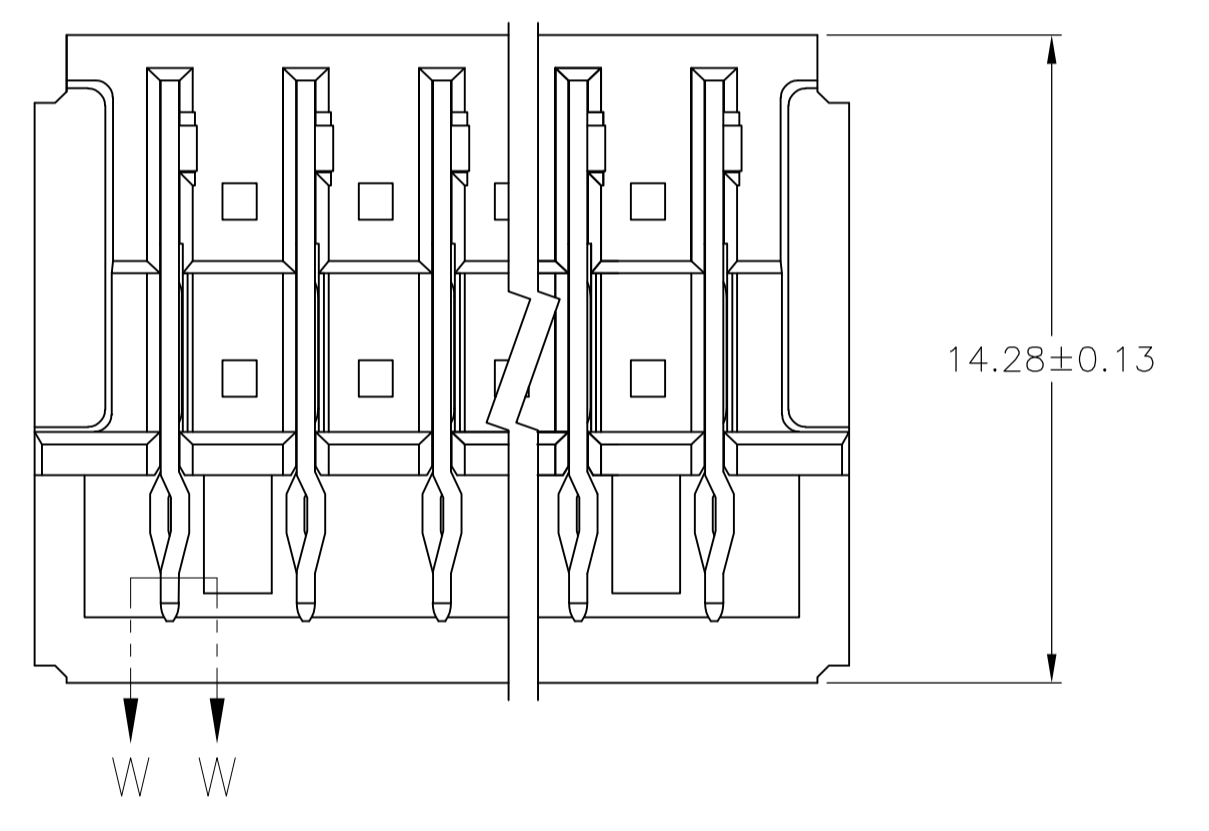
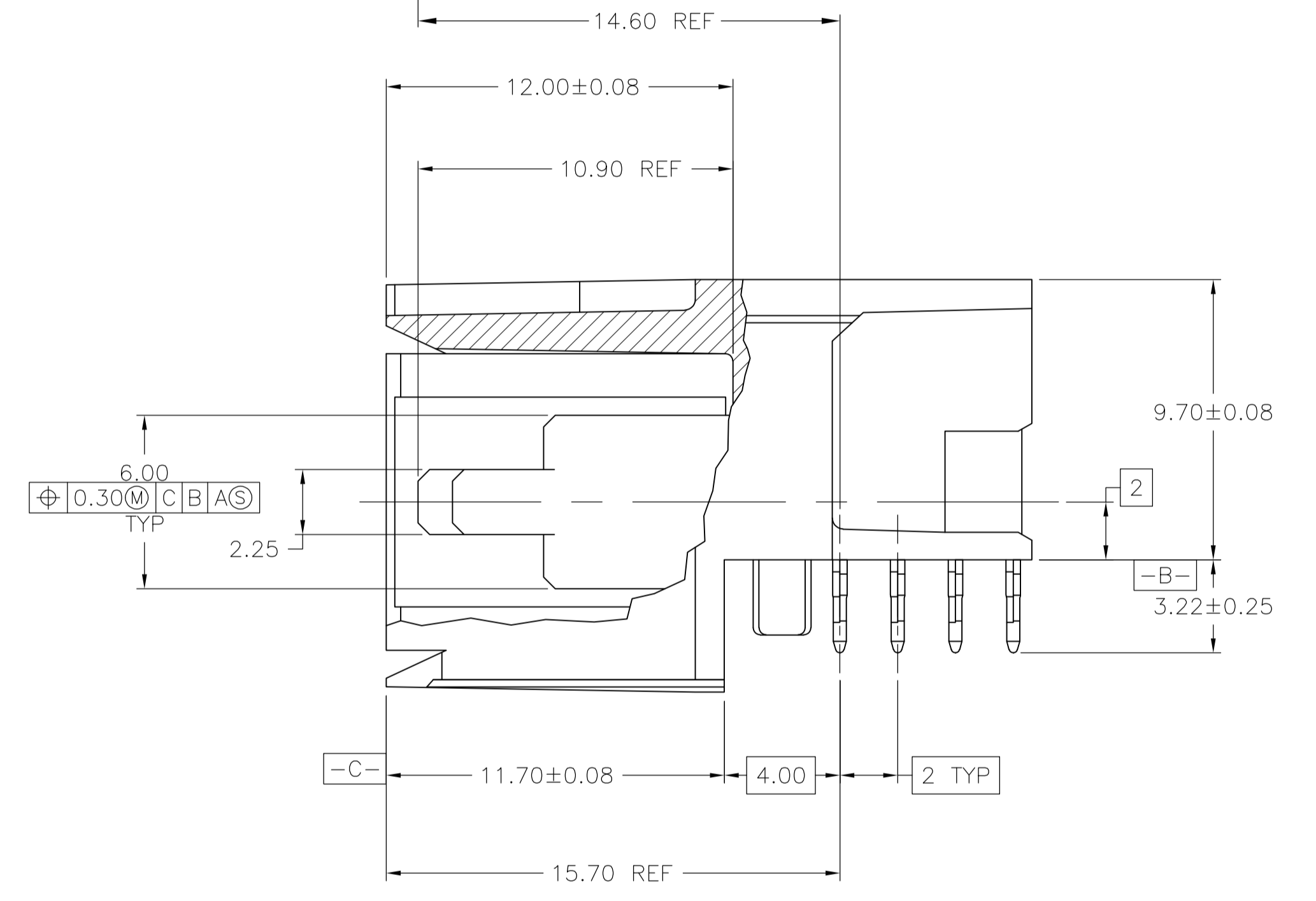
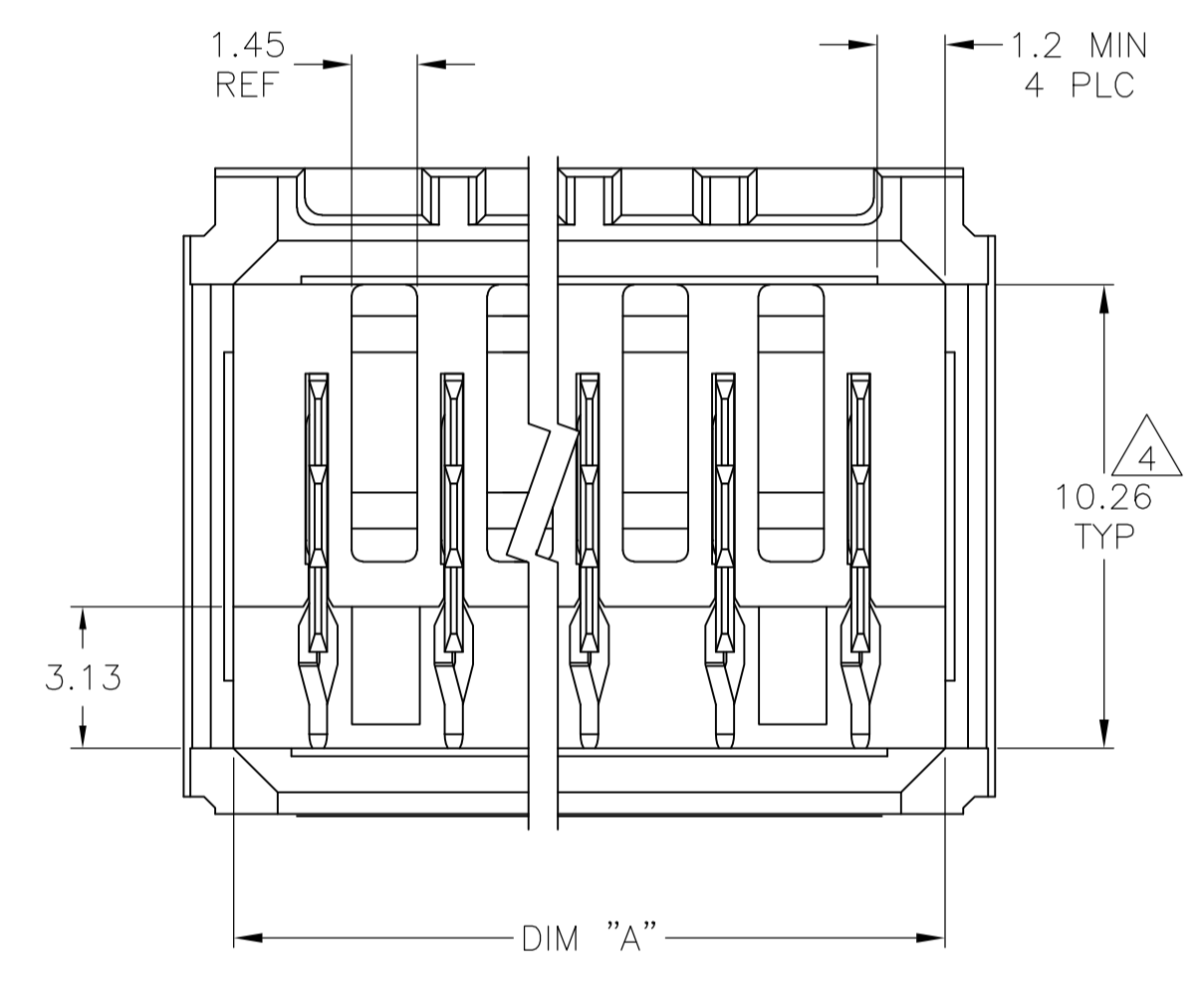


- 1 MATERIAL: HOUSING: POLYESTER, GRAY. UL 94V-0. CONTACT: HIGH CURRENT COPPER ALLOY.
- 2 FINISH: CONTACT MATING AREA: 1.27µm MIN GOLD ACTION PIN AREA: 0.5µm MIN MATTE TIN PLATE, ALL OVER 1.27µm MIN NICKEL UNDERPLATE.
- 3 FINISH: CONTACT LUBRICATION WITH BELLCORE APPROVED LUBRICANT. TECHNICAL REFERENCE: GR-1217-CORE, ISSUE 1, NOVEMBER 1995.
- 4 10.26 ± 0.13 DIMENSION APPLIES IN THIS AREA.
- 5 REFERENCE APPLICATION SPEC 114-1103 FOR RECOMMENDED PLATED THRU HOLE DIAMETER AND PLATING THICKNESSES.
- 6. CURRENT RATING 16A/CONTACT PER PRODUCT SPEC 108-1651.



SECTION W-W
SCALE 40:1

A,B,C,D,E,F,G,H	-	18.0	27.00	24.75	8	1645526-5
C	A,B,D,E	9.0	18.00	15.75	5	1645526-2
A,B,C,D	-	6.0	15.00	12.75	4	1645526-1
POSITIONS LOADED WITH 10.90 CONTACTS	POSITIONS LOADED WITH 9.30 CONTACTS	DIM "C"	DIM "B"	DIM "A"	NO OF LOADED POSITIONS	PART NUMBER

THIS DRAWING IS A CONTROLLED DOCUMENT.		DIN D HUMBERT 14AUG2009	Tyco Electronics Corporation Harrisburg, PA 17105-3608	
DIMENSIONS: mm	TOLERANCES UNLESS OTHERWISE SPECIFIED:	CIK D YI 14AUG2009	NAME	ASSEMBLY, RIGHT ANGLE HEADER, W/ RETENTION PEGS, UNIVERSAL POWER MODULE
0 PLC ± -	1 PLC ± -	APVD D YI	PRODUCT SPEC	
2 PLC ± 0.13	3 PLC ± -	APPLICATION SPEC	SIZE	A1
4 PLC ± -	ANGLES ± -	WEIGHT	0	00779
		CAGE CODE	1645526	1645526
		CUSTOMER DRAWING	SCALE 6:1	SHEET 1 OF 1