



MADE IN THE USA

Product Description:

- Glove Box Dispenser - Single with Flexible Springs
- Holds one box of gloves
- Two formed springs accommodate a variety of box sizes
- Three-way keyholes for vertical or horizontal wall mounting
- Semi-Transparent, Injection Molded Polycarbonate Plastic

Primary Area for Product Usage:

- Anywhere gloves are needed

Dispenses:

- Box(es) no larger than 5.50"W x 10.00"H x 3.75"D (14.0 cm x 25.4 cm x 9.5 cm)
- Box(es) no smaller than 4.50"W x 9.00"H x 3.00"D (11.4 cm x 22.9 cm x 7.6 cm)

Package Specifications:

- Package Quantity: 12 per case
- 18"L x 16"W x 10"H (45.7 cm x 40.6 cm x 25.4 cm)
- 10.0 lbs (4.5 kg) - approximated

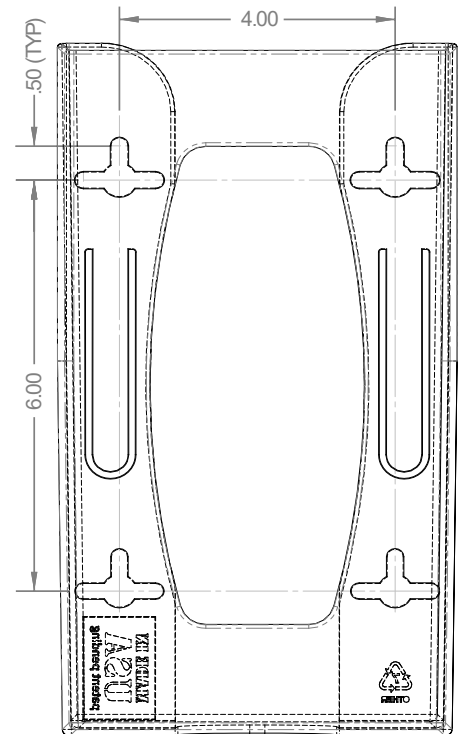
Product Specifications (overall external dimensions):

- 5.84"W x 10.11"H x 4.22"D (14.8 cm x 25.7 cm x 10.7 cm)
- 0.7 lbs (0.3 kg) - approximated

Mounting Specifications:

Related Products (each sold separately):

- GL100-0212: Glove Box Dispenser - Single, ABS Plastic (shown below)

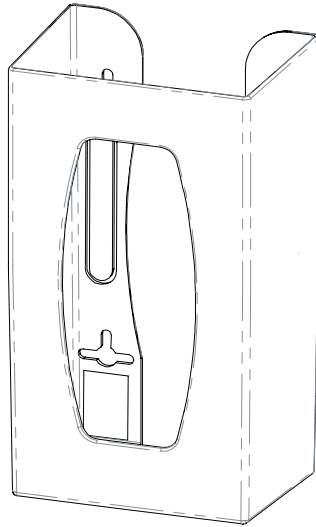




Installation

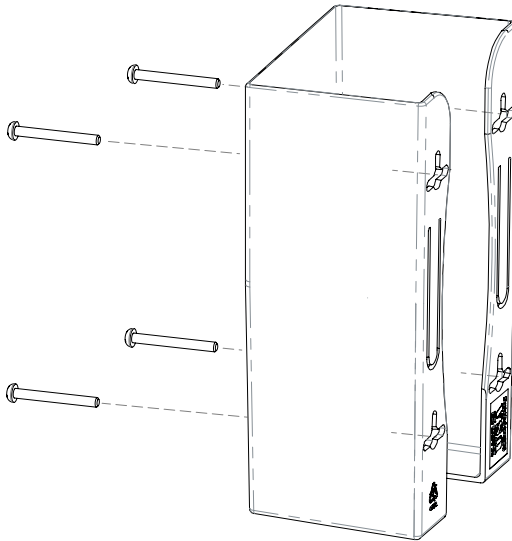
Always mount dispensers securely *prior* to loading with product.

- Front cutout allows for a wide variety of box dispensing perforations.
- Springs in back push boxes forward.



1

- Mount securely to a wall with screws approved and supplied by building maintenance.



2

Parts included:

- Dispenser

Tools Required:

- No tools required to assemble dispenser

Care and Construction

Polycarbonate Plastic

Material Characteristics

Designed for Long-Term Heavy-Duty Applications

Polycarbonate plastic is a polymer comprised of Bisphenol A and phosgene, which makes it shatter resistant and provides an excellent combination of strength, rigidity, and toughness.

Our polycarbonate plastic is a frosted, lightweight, tough, dimensionally stable thermoplastic. It is shatter resistant and will not soften over time. It is resistant to humidity and temperatures over 300°F. Polycarbonate is virtually unbreakable, making it safe to use in areas where it may be exposed to impact.

The transparency allows the viewer to see content, read text, and see true colors through the material.

Care and Cleaning

Resistant to stains, polycarbonate is easily cleaned with common cleaner or soap and water. Alcohol is recommended to remove grease or oil. Ammonia and acetone should not be used.