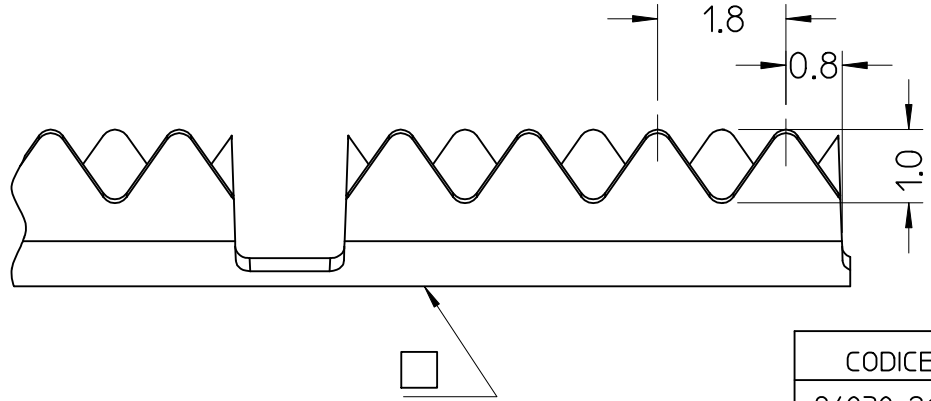
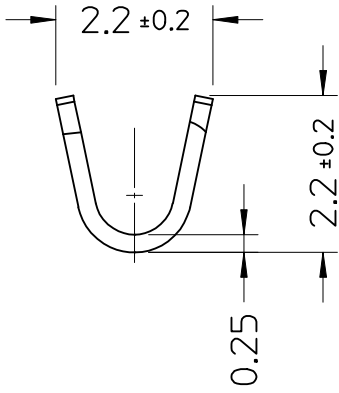
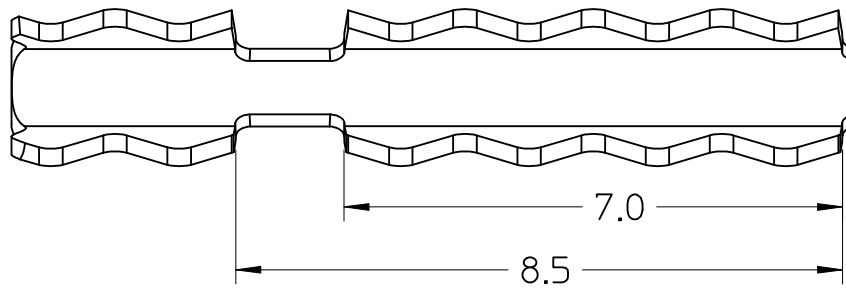


7 6 5 4 3 2 1



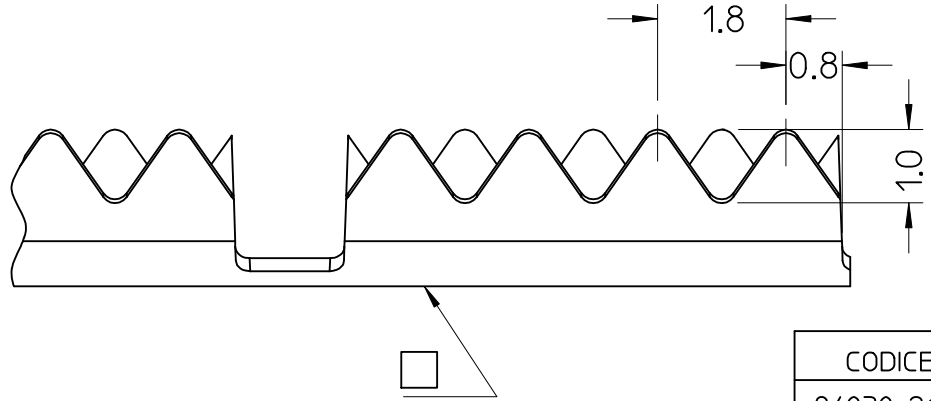
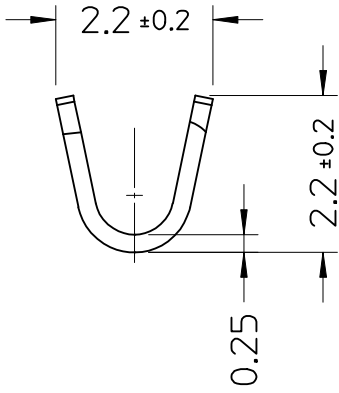
CODICE	MATERIALE	FINITURA
94030-2690	OTTONE	GREGGIO
94030-2691		STAGNATO



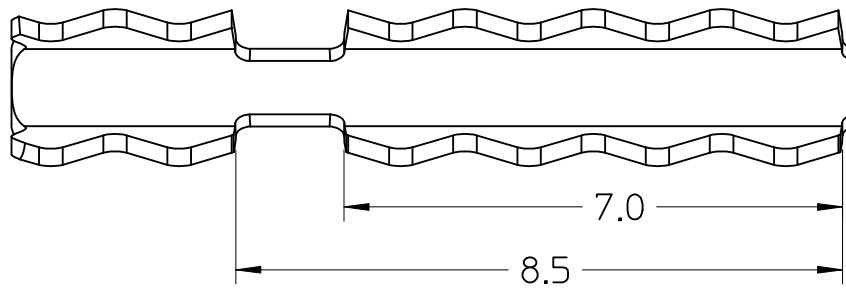
EC NO: Z2004-0016 DRWN: FGOTTARD 2003/07/31 CHKD: RSANDANO 2003/07/31 APPR: GZUIN 2003/08/01	DESCRIPTION REV	QUALITY SYMBOLS	GENERAL TOLERANCES (UNLESS SPECIFIED)		SCALE 10:1	DESIGN UNITS METRIC	FIRST ANGLE PROJECTION	REVISE ON CAD ONLY			
		 			DIMENSION STYLE MM ONLY		TITLE FASCETTA (SEZ. AGGRAFFATURA 0.8 MMQ)				
			4 PLACES	± ---	± ---	DRAWN BY FGOTTARD	DATE 11/06/86	MOLEX INCORPORATED MATERIAL NO. vedi tabella DOCUMENT NO. SD-94030-058 SHEET NO. 1 OF 1			
			3 PLACES	± ---	± ---	CHECKED BY	DATE				
2 PLACES	± ---	± ---	APPROVED BY MPREVIAT		DATE 11/06/86	THIS DRAWING CONTAINS INFORMATION THAT IS PROPRIETARY TO MOLEX INCORPORATED AND SHOULD NOT BE USED WITHOUT WRITTEN PERMISSION					
1 PLACE	± 0.10	± ---	DRAFT WHERE APPLICABLE MUST REMAIN WITHIN DIMENSIONS								

6 5 4 3 2 1

7 6 5 4 3 2 1



CODICE	MATERIALE	FINITURA
94030-2690	OTTONE	GREGGIO
94030-2691		STAGNATO



EC NO: Z2004-0016 DRWN: FGOTTARD 2003/07/31 CHKD: RSANDANO 2003/07/31 APPR: GZUIN 2003/08/01	DESCRIPTION REV	QUALITY SYMBOLS	GENERAL TOLERANCES (UNLESS SPECIFIED)		SCALE 10:1	DESIGN UNITS METRIC	FIRST ANGLE PROJECTION	REVISE ON CAD ONLY				
		0.1 0.05			DIMENSION STYLE MM ONLY		TITLE					
							DRAWN BY FGOTTARD		DATE 11/06/86		FASCETTA (SEZ. AGGRAFFATURA 0.8 MMQ)	
							CHECKED BY		DATE		MOLEX INCORPORATED	
A2			DRAFT WHERE APPLICABLE MUST REMAIN WITHIN DIMENSIONS		APPROVED BY MPREVIAT	DATE 11/06/86	MATERIAL NO. vedi tabella	DOCUMENT NO. SD-94030-058	SHEET NO. 1 OF 1			

6 5 4 3 2 1