

## Priority keylock switch - rectangular collar

### 1.10.119.467/0000

Included: 4 keys.



Key 1 switches to lock position 1, key 2 switches to lock positions 1 and 2, etc...

#### General information

|                |             |
|----------------|-------------|
| Form of collar | rectangular |
|----------------|-------------|

#### Dimensions

|                  |                                       |
|------------------|---------------------------------------|
| Length of collar | 24 mm                                 |
| Width of collar  | 18 mm                                 |
| Overall height   | 7.5 mm                                |
| Mounting depth   | 39.5 mm; with plug-in socket 41.25 mm |
| Mounting hole    | 16.2 mm                               |

#### Mechanical design

|                     |                                  |
|---------------------|----------------------------------|
| Mounting            | ring nut                         |
| Terminals           | solder terminals                 |
| Contact system      | sliding contact, self cleaning   |
| Contact function    | latching                         |
| Contact arrangement | 1 NO at every switching position |
| Contact materials   | Au alloy                         |
| Illumination        | no                               |

#### Mechanical design of lock

|                             |                                 |
|-----------------------------|---------------------------------|
| Lock                        | cylinder lock with pin tumblers |
| Wafers                      | 5 pins                          |
| Lock type                   | 5001                            |
| Number of locking positions | 10,000                          |
| Main key                    | yes                             |
| Symmetric key               | yes                             |
| Key removal position        | 0+1+2+3                         |

#### Mechanical characteristics

|                      |          |
|----------------------|----------|
| Operating force min. | 0.035 Nm |
| Operating force max. | 1.8 Nm   |

#### Electrical characteristics

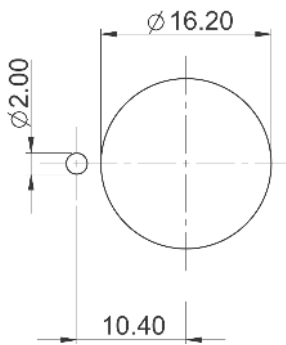
|                          |        |
|--------------------------|--------|
| Rated voltage AC/DC max. | 35 V   |
| Rated voltage AC/DC min. | 5 V    |
| Rated current AC/DC max. | 100 mA |
| Rated current AC/DC min. | 5 mA   |

|                         |                        |
|-------------------------|------------------------|
| ESD strength max.       | 12 kV                  |
| Insulation resistance   | $6 \times 10^8 \Omega$ |
| Contact resistance max. | 200 m $\Omega$         |

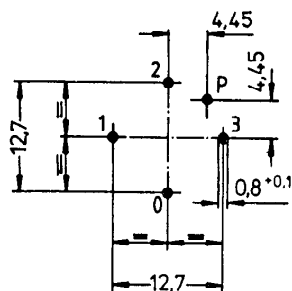
### Other specifications

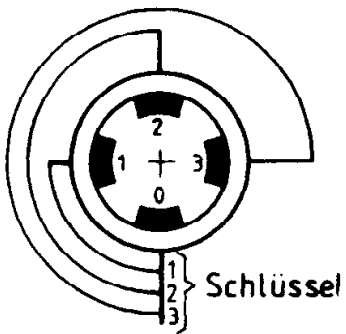
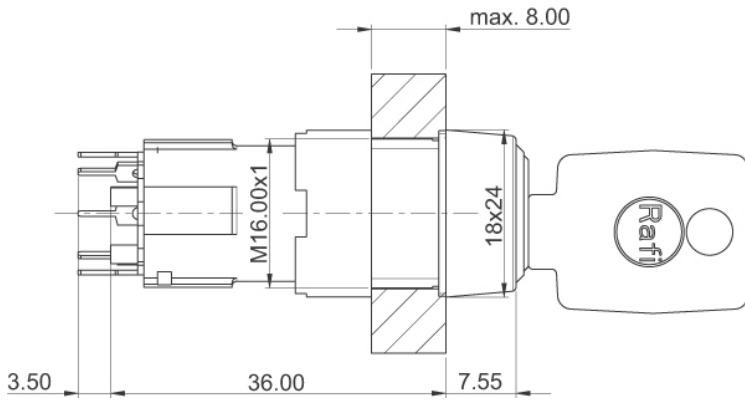
|                                      |  |
|--------------------------------------|--|
| Operating life (operations)          | 50,000 cycle                             |
| Degree of protection from front side | IP65 (DIN EN 60529)                      |
| Operation temperature min.           | -25 °C                                   |
| Ambient temp. operating max.         | +70 °C                                   |
| Storage temperature min.             | -40 °C                                   |
| Storage temperature max.             | +80 °C                                   |
| Environmental resistance             | acc. to IEC 60068-2-14, -30, -33 and -78 |
| Soldering temperature max.           | 350 °C                                   |
| Soldering time max.                  | 3 s                                      |
| Weight                               | 29 g                                     |
| Rotating angle                       | 3 x 90°                                  |
| ROHS compliant                       | yes                                      |
| REACH compliant                      | yes                                      |

### Panel cut-out



### PCB hole pattern, sight on component side





with plug-in socket

