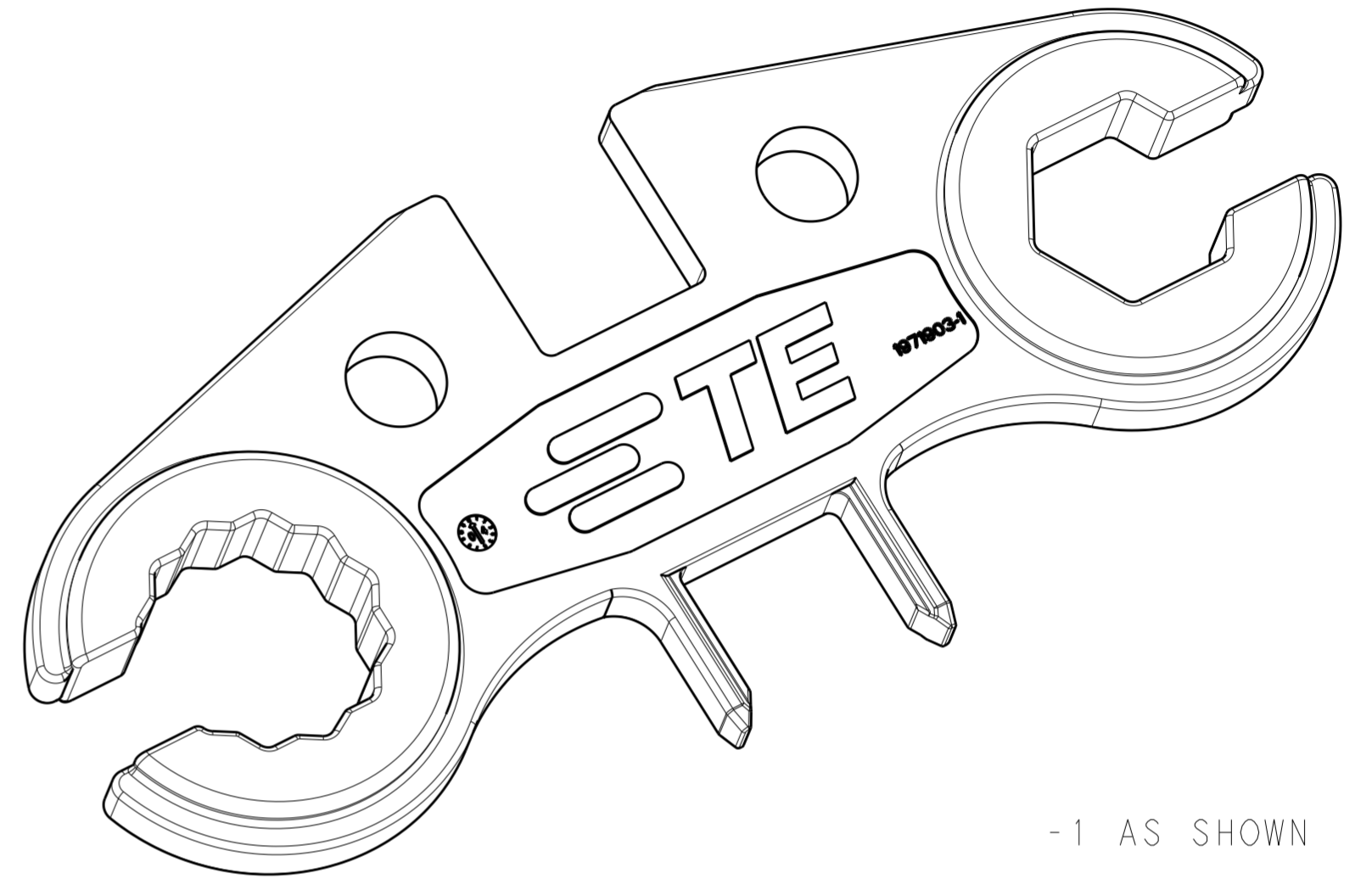
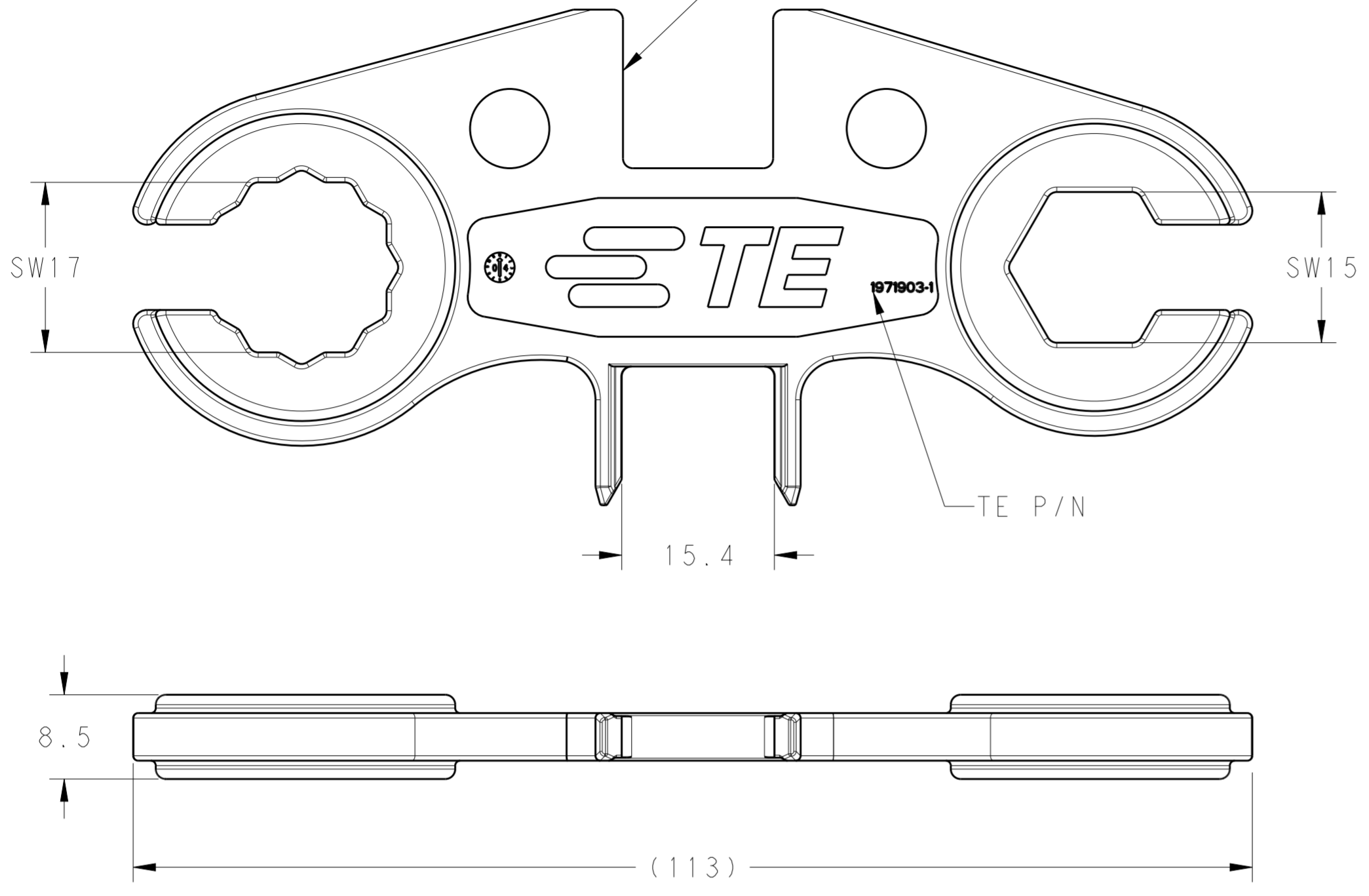


THIS DRAWING IS UNPUBLISHED. RELEASED FOR PUBLICATION 20
 © COPYRIGHT 20 BY TE CONNECTIVITY ALL RIGHTS RESERVED.

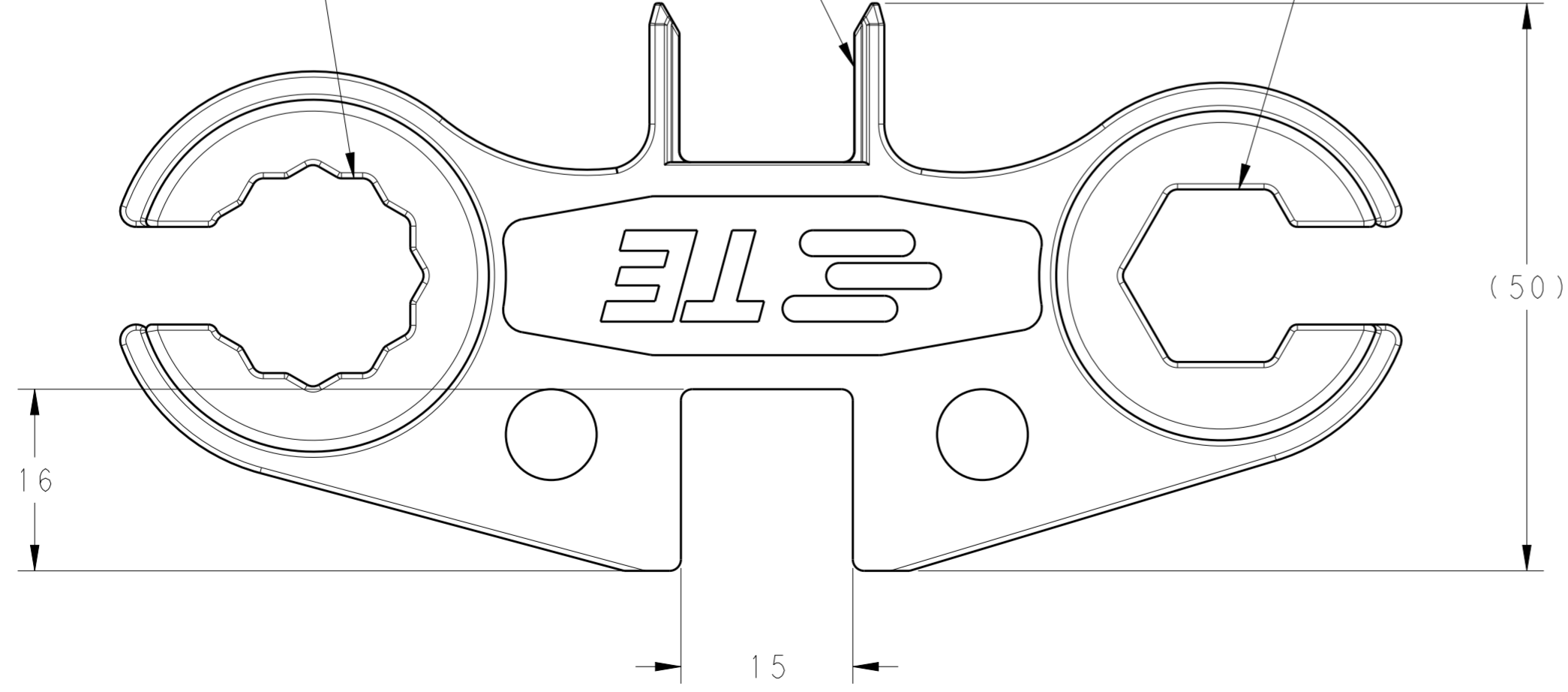
LOC		DIST		REVISIONS			
P	LTR	DESCRIPTION	DATE	DWN	APVD		
-	-	A	RELEASED	26NOV2012	CW	PY	

FIX CONNECTOR FOR TIGHTENING OPERATION
 (FOR THIS ACTION TWO TOOLS ARE REQUIRED)



-1 AS SHOWN

DISCONNECT CONNECTOR
 TWELVE RING SPANNER
 HEXAGON RING SPANNER



1. MATERIAL: POLYMER

THIS DRAWING IS A CONTROLLED DOCUMENT.		DWN 08OCT2012 CHRIS WANG	STE TE Connectivity	
DIMENSIONS: mm		CHK 08OCT2012 TANDY TANG		
TOLERANCES UNLESS OTHERWISE SPECIFIED:		APVD 08OCT2012 PETER YIN	NAME OPEN TOOL PV4 CONNECTOR	
0 PLC ±0.5		PRODUCT SPEC	RESTRICTED TO	
1 PLC ±0.30		APPLICATION SPEC	SIZE	CAGE CODE
2 PLC ±		114-106078	A200779	C-1971903
3 PLC ±		WEIGHT	SCALE 2:1 SHEET 1 OF 1 REV A	
4 PLC ±		Customer Drawing		
ANGLES ±				
FINISH				