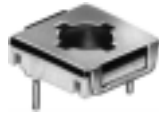




*Process sealed—withstands soldering and cleaning processes.



KA11B1CBE



KA11R1CBE2

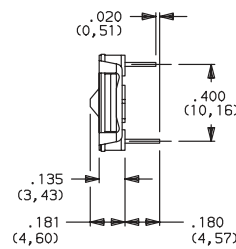
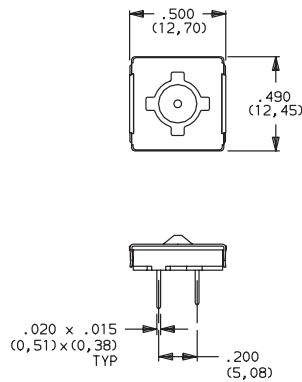
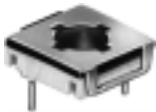


KA11K1CBE

- Miniature low profile design—approximately .500 in. sq.
- Process compatible—withstands soldering and cleaning processes—high temperature materials (UL 94V-0)
- Electrical and mechanical life: 1 million cycles at full load
- Sealed construction—internal silicone rubber actuator seal and epoxy sealed terminals standard
- Available with and without actuator caps



With Silicone Rubber Actuator Button

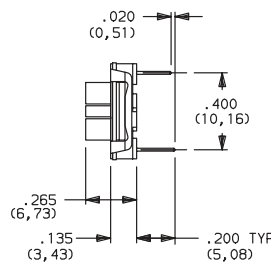
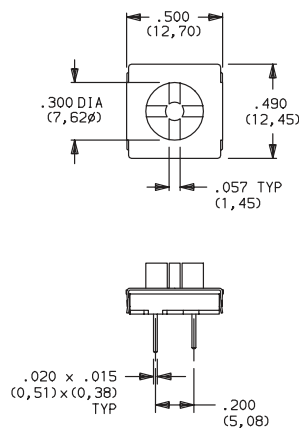


PART NO.	SWITCH FUNCTION	
	POS. 1	POS. 2
KA11B1CBE	OFF	MOM.
Conn. Terms.	OPEN	1-2
Schematic		
SPST		

MOM. = Momentary

Part No. Shown: KA11B1CBE

With Actuator For Caps



PART NO.	SWITCH FUNCTION	
	POS. 1	POS. 2
KA11K1CBE	OFF	MOM.
Conn. Terms.	OPEN	1-2
Schematic		
SPST		

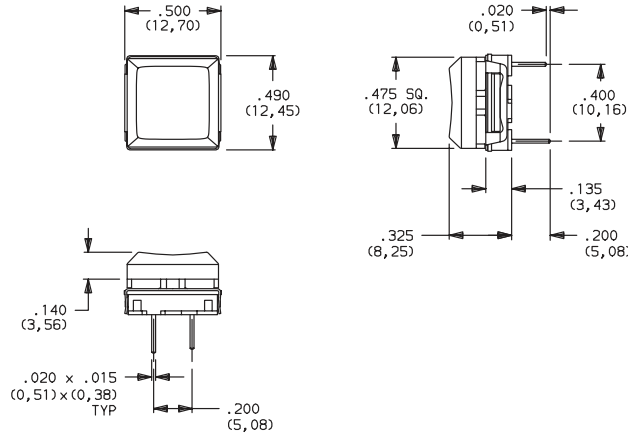
MOM. = Momentary

Part No. Shown: KA11K1CBE



*Process sealed—withstands soldering and cleaning processes.

With Actuator Cap

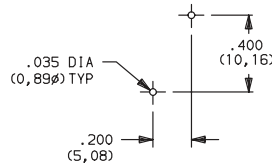


PART NO.	CAP COLOR	SWITCH FUNCTION	
		POS. 1	POS. 2
KA11R1CBE1	WHITE	OFF	MOM.
KA11R1CBE2	BLACK (Std.)	OFF	MOM.
KA11R1CBE3	RED	OFF	MOM.
Conn. Terms.		OPEN	1-2
Schematic			
SPST			

MOM. = Momentary
Other colors available, consult factory.

Part No. Shown: KA11R1CBE2

PC MOUNTING



HOW TO ORDER

Complete part numbers for KA SERIES SEALED HALF - INCH DOME PUSHBUTTON SWITCHES are shown on pages C-63 and C-64. Actuator caps are available separately, see section K.

SPECIFICATIONS

- CONTACT RATING: 0.4 VA max. @ 20 V AC or DC max.
- MECHANICAL & ELECTRICAL LIFE: 1,000,000 make-and-break cycles at full load.
- CONTACT RESISTANCE: Below 50 milliohms typ. initial @ 2-4 V DC, 100 mA.
- INSULATION RESISTANCE: 10⁹ ohms min.
- DIELECTRIC STRENGTH: 250 V RMS min. @ sea level.
- OPERATING TEMPERATURE: -40°C to 90°C.
- SOLDERABILITY: Per MIL-STD-202F method 208D, or EIA RS-186E method 9 (1 hour steam aging).

MATERIALS

- BASE: Glass filled nylon (UL 94V-0).
- ACTUATOR BUTTON AND SEAL: Silicone rubber.
- ACTUATOR CAPS: Glass filled nylon, black standard.
- HOUSING: Stainless steel.
- MOVABLE CONTACT: Stainless steel, gold plated.
- STATIONARY CONTACTS AND TERMINALS: Copper alloy, gold plated.
- TERMINAL SEAL: Epoxy.

NOTE: Specifications and materials listed above are general specifications. Specifications available for specific and custom switches, consult factory.

