

⌚ (f)N_pr Lsk`cp8 J @D4002+0. Bj V?+6@

⌚ (f)Qpsarspc8 Rfc J CB jgef r `p knsl rcb J CB bgac &`_pc afgn' nh qs`qrp_rc `w_pp_w
©0qcpj 2n_pjjcj 0anjnpⓄ

⌚ (f)?nnj ga_rgnh8 J gef rgl e qns pac

⌚ (f)K_vgksk Anh bgrgnh Ⓞ | ■ ⌚ ⌚ ⌚ Ⓞ

Grck	Qak`nj	Anh bgrgnh	Sl gr
?bkgqg`gj grw bgagn_rgnh ⌚ /	Nm	0,66	⌚
Dnpu_pb Asppcl r ⌚ /	G _b	.,2	⌚
Mncp_rgnh Rckncp_rspc	R _{nm}	+1. Ⓞ) 63	⌚
Npcqcp_rgnh Rckncp_rspc	R _{qre}	+2. Ⓞ)/..	⌚
Hsl argnh Rckncp_rspc	Rh	/03	⌚

⌚ / (h)nhc anjnpⓄ B943..I - J905..I Ⓞ

⌚ (f)Cj carpga_j _l b nmrga_j Af_p_arcpqrgaq Ⓞ | ■ ⌚ ⌚ ⌚ Ⓞ

Grck	Qak`nj	Kgl ,	Rwn,	K_v,	Sl gr	Anh bgrgnh
Dnpu_pb Tnjr_ec ⌚ 0	_D	3,1	3,6	4,1	T	G _b ; 1.. k?
J skgl nsq Dj sv &B' ⌚ 1	≠ _t	//2,7	//6,3	+	jk	G _b ; 1.. k?
J skgl nsq Dj sv &J' ⌚ 1	≠ _t	76,1	/.,2	+	jk	G _b ; 1.. k?
Anj np Rckncp_rspcⓄBⓄ	R _{an}	4.03	42.4	4565	I	G _b ; 1.. k?
Anj np Rckncp_rspcⓄJ Ⓞ	R _{an}	04/1	0517	0643	I	G _b ; 1.. k?
Bctg_rgnh Anj npⓄBⓄ	bst)...7)...26)...64	+	G _b ; 1.. k?
Bctg_rgnh Anj npⓄJ Ⓞ	bst	+,...12)...2)...2/	+	G _b ; 1.. k?
Ecl cp_j Anj np Pcl bcpgl e G bcv	■ -	53	6.	+	+	G _b ; 1.. k?

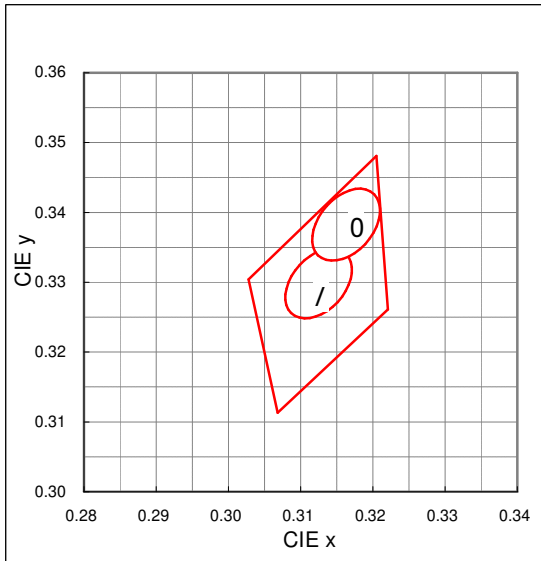
⌚ / (h)kc_qspckcl r r nj cp_l ac(h) | 1 |
⌚ 0(h)kc_qspckcl r r nj cp_l ac(h) | 5 |

⌚ Rfcqc b_r_ _pc kc_qspcb `w_ kc_qspgl e cosgnkcl r anknj vgl e ugrf AGC/03 Anh bgrgnh Ⓞ

BCQ&L	AFCAI	?NNPMT?J	DATE: 2012/9/6	SPECIFICATION No.: R_pecr QNCA
			REV. A	ROHM Co.,Ltd.

† (f) Af pntk_rgagr w anmpbgl_rc ④ | ■ r † † † † † (c)GD r † † † † † † † (c)kc_ qspckcl r rmj cp_l ac(h) † , ... 3①

的 B 9 43. . I



Af pntk_rgagr w
anmpbgl_rcq Nngl r

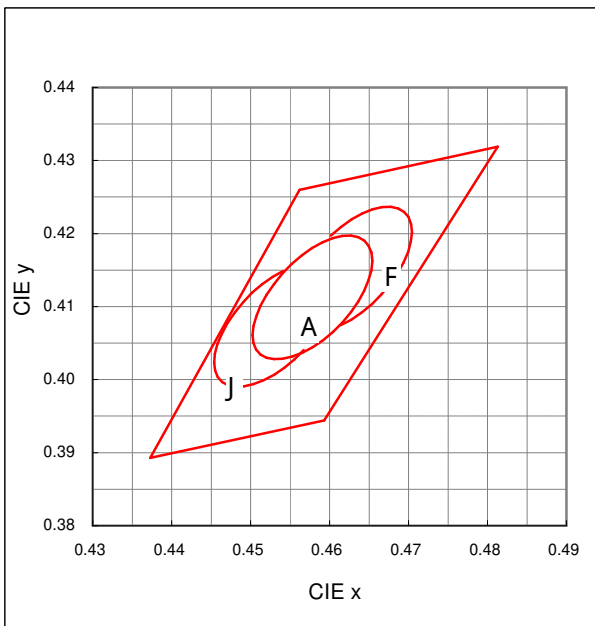
? L QGA56,155(b) r_l b_ pb

43. . I +††	
v	w
.,1/41	.,1160
43. . I +††	
v	w
.,1/03	.,1076
† K_a? b_k cijgnqc ‡ qrcn	

J @D40(
43. . I	
v	w
.,1.46	.,1/11
.,100/	.,104/
.,10.3	.,126/
.,1.06	.,11.2
acl rcpnng r④,1/01*,1060'	

: P_l ec ugfg / @_ p<
v 8P† . . /3
w8P† . . 0.
& k_v+k g'

盱 J 9 05. . I



Af pntk_rgagr w
anmpbgl_rcq Nngl r

? L QGA56,155(b) r_l b_ pb

05. . I +F	
v	w
.,2406	.,2/3.
05. . I +A	
v	w
.,23563	.,2/1/3
05. . I +J	
v	w
.,2307	.,2.51
† K_a? b_k cijgnqc ‡ qrcn	

J @D40(
05. . I	
v	w
.,2151	.,1671
.,2371	.,1722
.,26/1	.,21/7
.,2340	.,204.
acl rcpnng r④,2356*,2/ . /'	

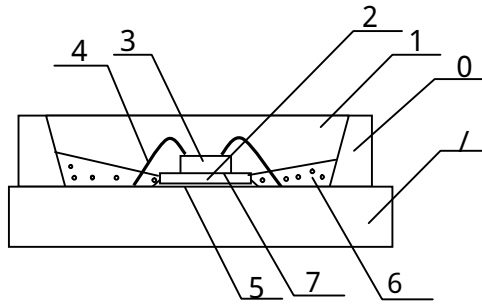
: P_l ec ugfg / @_ p<
v 8P† . . /3
w8P† . . 0.
& k_v+k g'

Rfc npntbsar rf_r gq j na_rcb gl rfc qos_pc ? cvacnr dnp rfc _pc_ nml rfc K_a? b_k cijgnqcq
gq rm `c bgqasqqcb dnp q_j cq,

† Anj np p_li

anj np p_li		2700K		
		L	C	H
6500K	1	L1	C1	H1
	2	L2	C2	H2

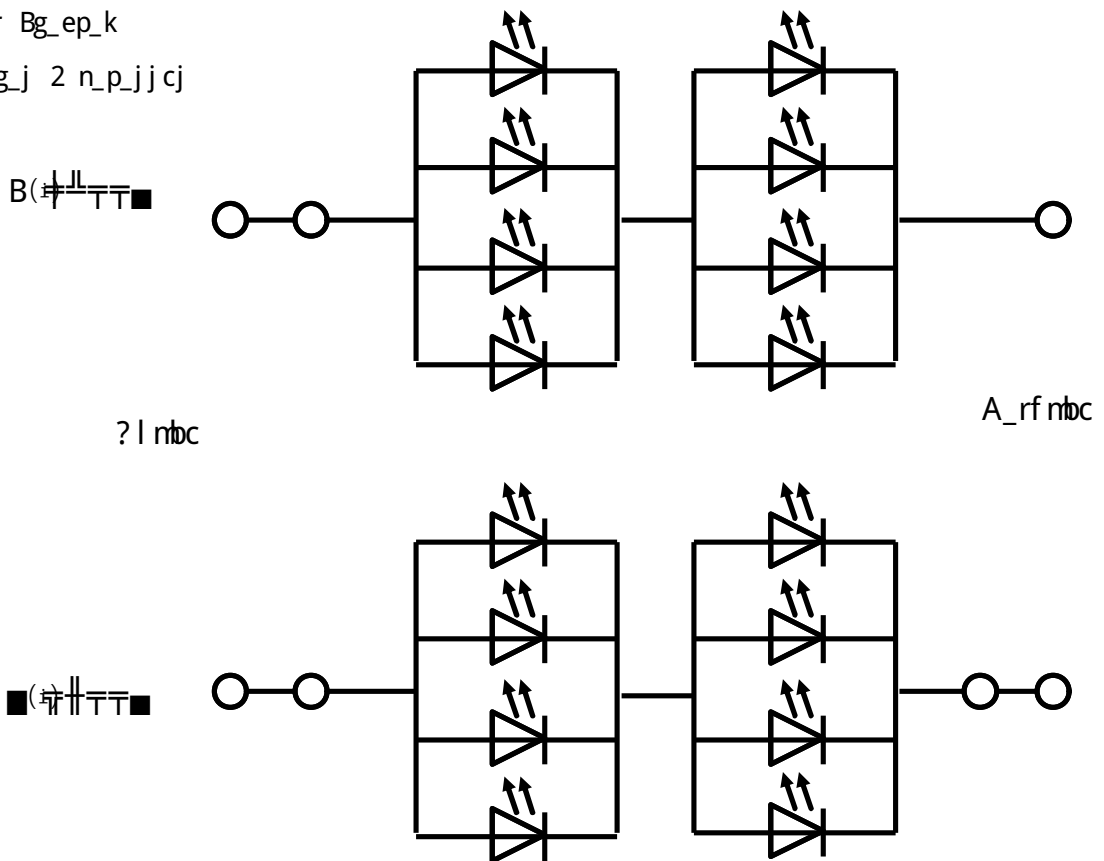
‡ , Qpsarspc



Lm	N_prq L_kc	K_rcpg_j
/	Qs`qrp_rc	ACK+1 Qs`qrp_rc
0	Ufgrc Pcqgl	Qgj gamh c Pcqgl
1	Pcqgl	Qgj gamh c Pcqgl
2	Qs`Knslr Qs`qrp_rc	Qg
3	J CB Bgc	Gl E_L mh Q nnf gpc
4	@mh bgl e Ugpc	?s
5	Bgc @mh b	?e
6	Ufgrc Pcqgl	Qgj gamh c Pcqgl ⊕ RgM ⊕
7	Bgc @mh b	Qgj gamh c Pcqgl

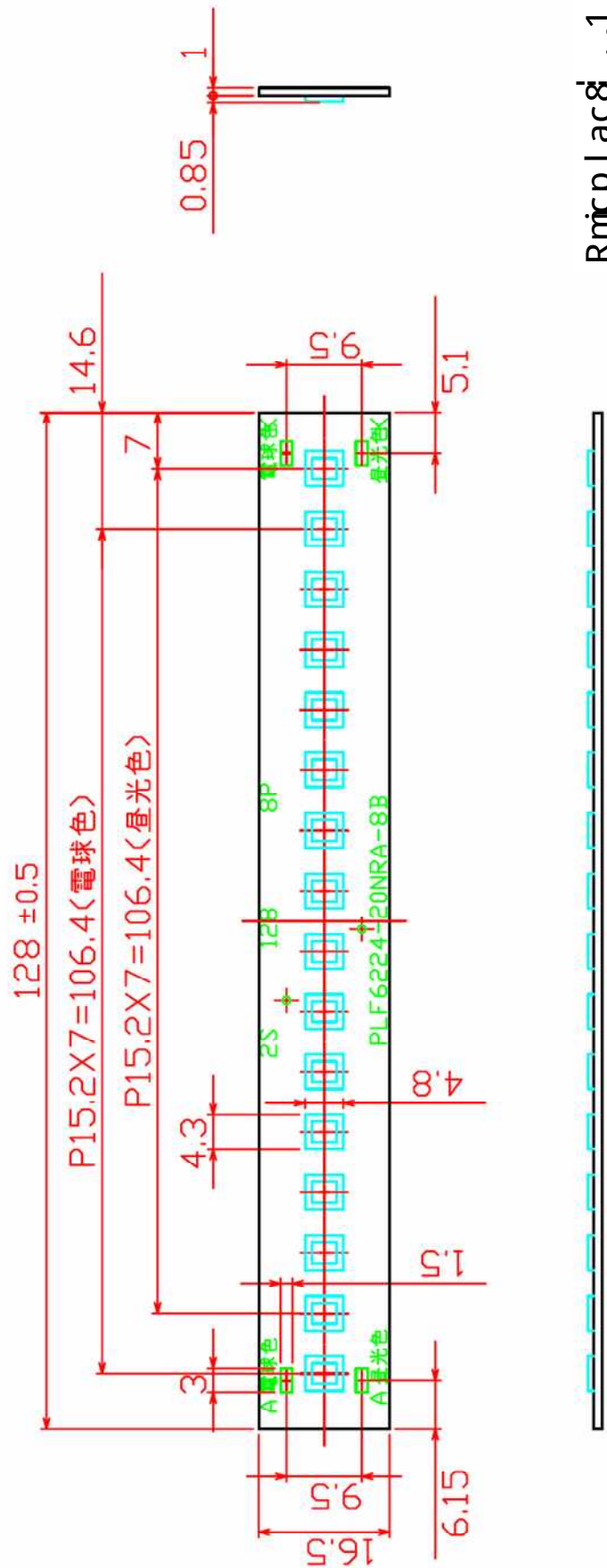
‡ (f) Agpasgr Bg_ep_k

0 qcpj 2 n_p_jj cj



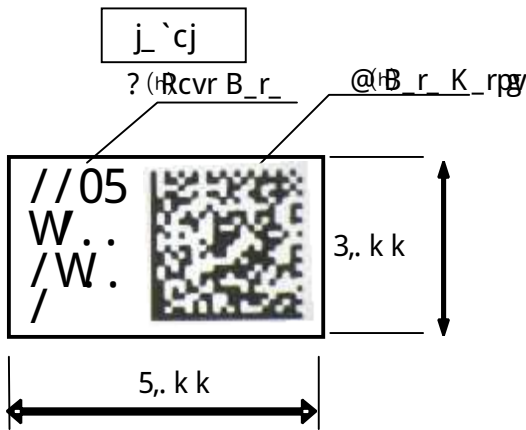
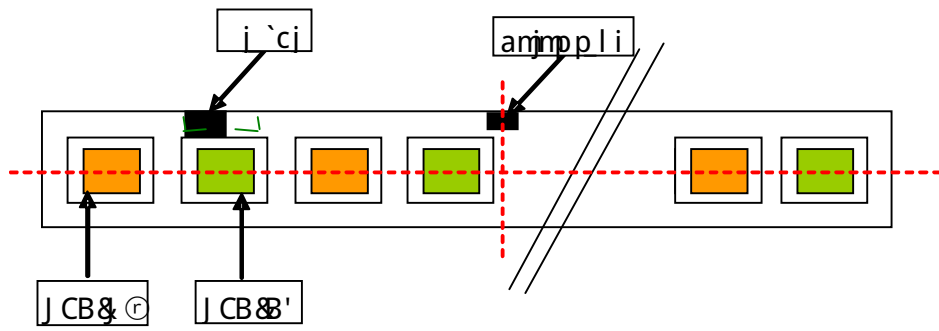
⌒ (f) Bgkcl qgnh

(Unit: mm)

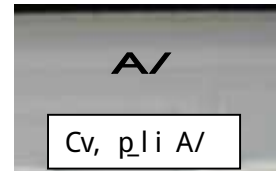


Rmjcp_l ac& .,1

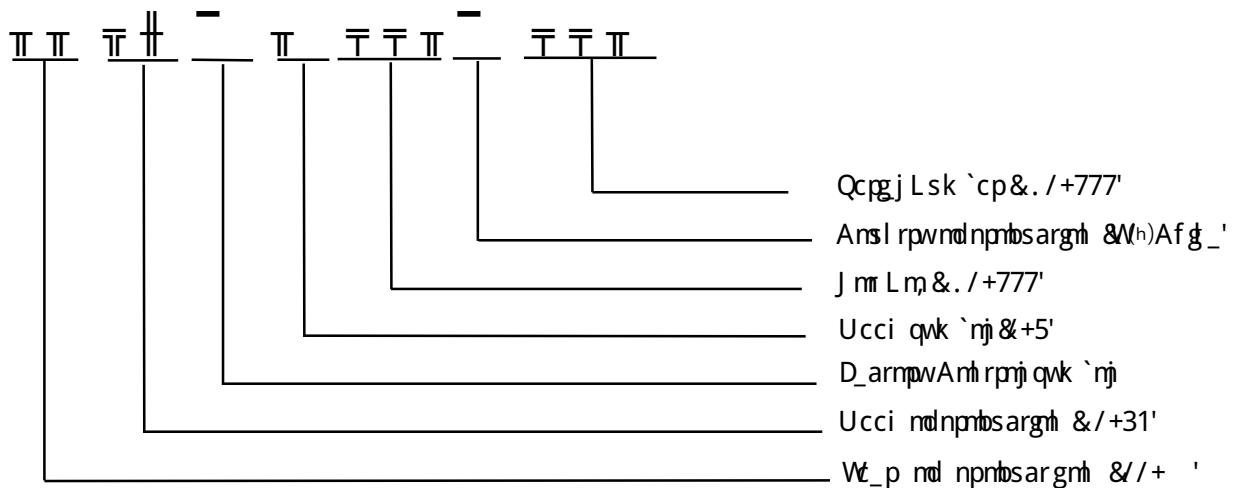
Π T , Npmsar J _ `cj



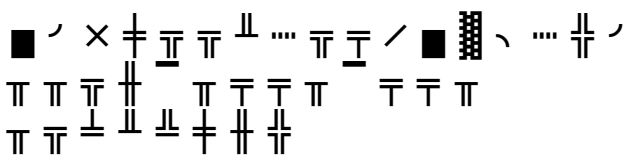
Anjpp li & /j 0A/ A0F/ F0'



[A] Text Data



[B] Data Matrix

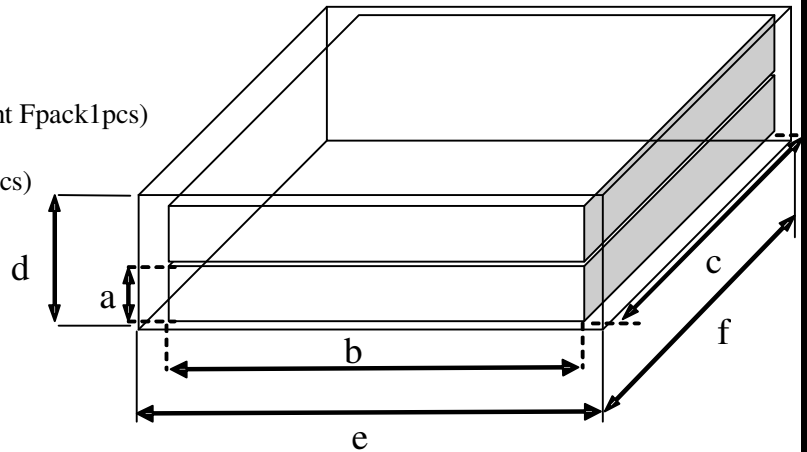


(17grids) Part Number
(13grids) Lot Number
(8grids) Factory Control Part

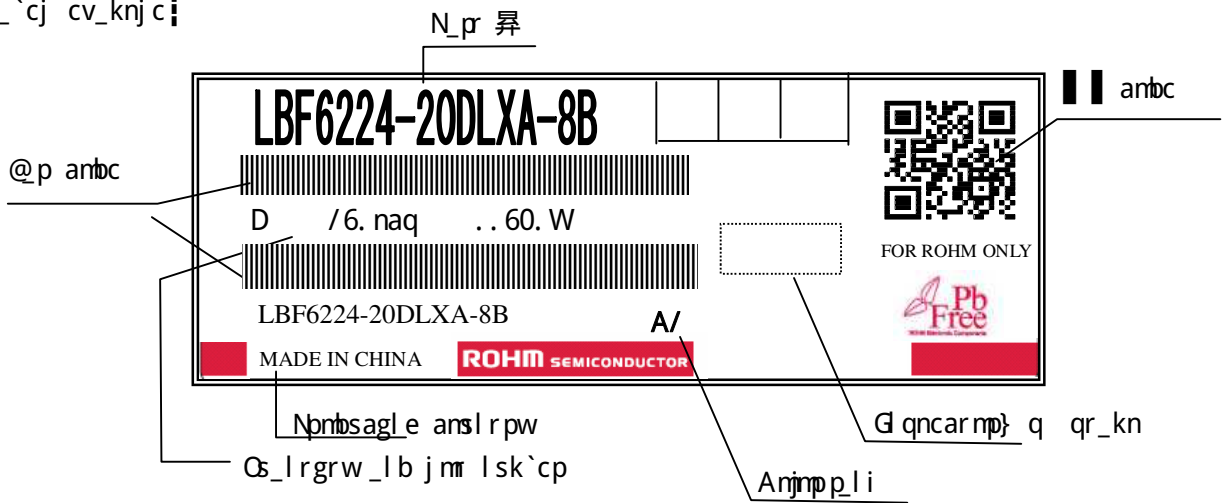
π τ (f) N_{ai} gl e

┆ N_{ai} _ ec ┆

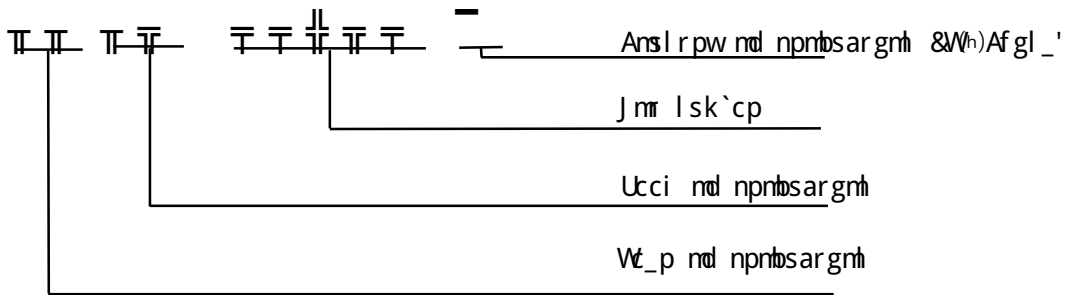
- (1) 18 Bars are on one film tray.
- (2) Inner package size (Fpack10pcs+vacant Fpack1pcs)
(a)60 x (b)300 x (c)343 (Unit: mm)
- (3) Outer package size(inner package ┆ 2pcs)
(d)155 x (e)313 x (f)353 (Unit: mm)



┆ J _ `cj cv_knj c ┆



┆ J m r l sk`cp cv_knj c ┆



┆ K_l sd_arspgl e d_arnpw &ans l rpw n d mpgegl' ┆

(g) PMFK QCKGAM LBSARMP AFGL? AM *J RB, (h) Af gl _ (i)