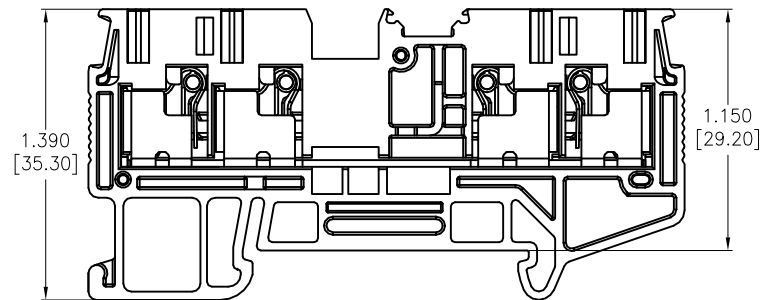
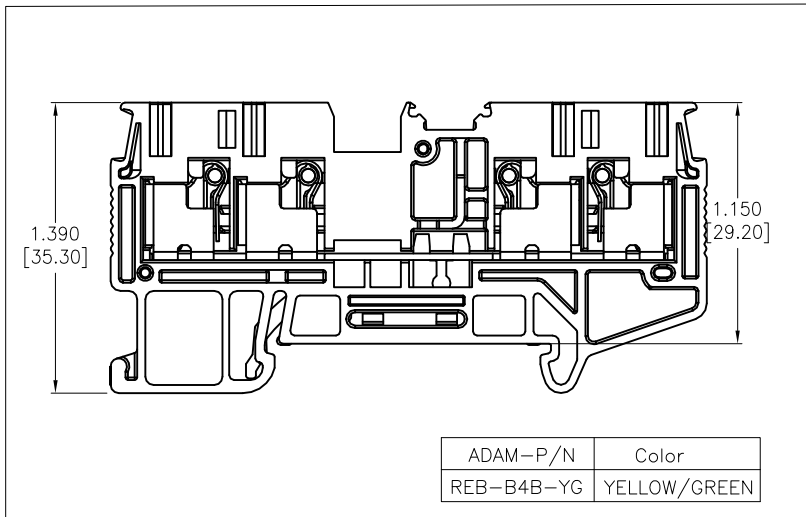
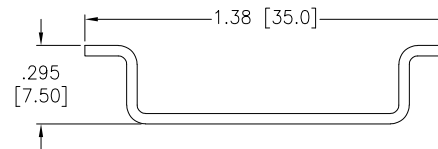


APPROVED: _____
 DATE: _____ TITLE: _____

Rev	AWO #	Description	Date	Appr
-		RELEASED	10/7/22	



RECOMMENDED RAIL SIZE
 35.0mm X 7.5mm



ADAM-P/N	Color
REB-B4B-OR	ORANGE
REB-B4B-BU	BLUE
REB-B4B-GY	GRAY
REB-B4B-YG	YELLOW/GREEN

SPECIFICATIONS:

Material:
 Insulator: PA66, rated UL 94V-0
 Insulator Color: See Chart
 Contacts: Copper Alloy, Tin Plated
 Electrical:
 Voltage rating: 600 VAC
 Current rating: 20 Amp
 Dielectric withstanding voltage: 2200 VAC for 1 minute
 Mechanical:
 Wire range : 26-12 #AWG
 Flexible: 0.2-2.5
 Stripping Length: 8-10
 Temperature Rating:
 Operating temperature: -40°C to +105°C
 Environmental:
 Lead free, RoHS compliant.



UNLESS OTHERWISE SPECIFIED ALL DIMENSIONS ARE INCHES [MM]. TOLERANCES: EXCEPT AS NOTED

INCHES		HOLES	
.X	± .10	∅X	± .10
.XX	± .020	∅XX	± .015
.XXX	± .015	∅XXX	± .010



909 Rahway Avenue,
 Union, NJ 07083
 Phone: 908-687-5000
 Fax: 908-687-5710

DRAWN	JJ	10/7/22
CHECKED	RC	10/7/22
APPROVED		

TITLE		
DIN RAIL TERMINAL BLOCKS, GUV 4 HOLE, 2.5 FLEXIBLE		

THIS DRAWING CONTAINS INFORMATION THAT IS PROPRIETARY AND SHOULD NOT BE USED WITHOUT PRIOR WRITTEN PERMISSION FROM ADAM TECH

SIZE	PART NO.	REV.
X	REB-B4B-XX	-

REF: S00067C	SCALE: NTS	SHEET 1 OF 1
--------------	------------	--------------