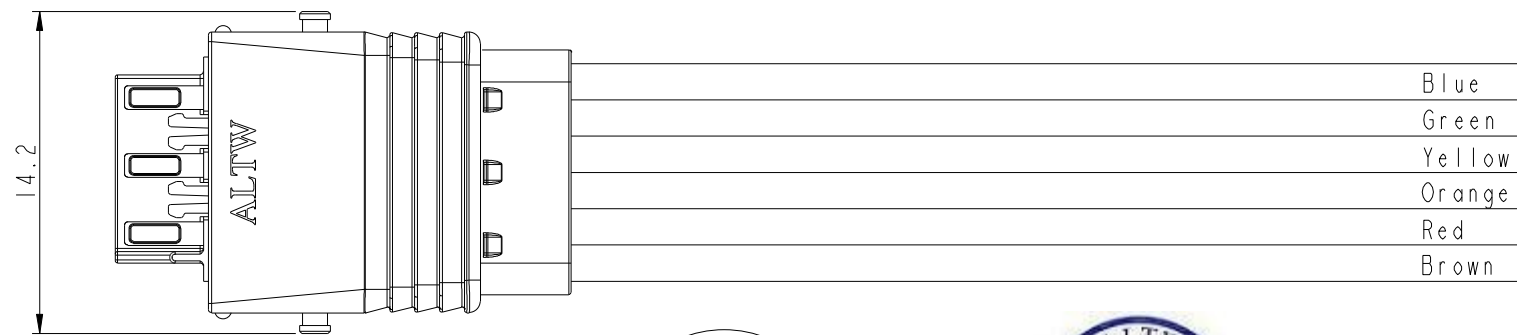
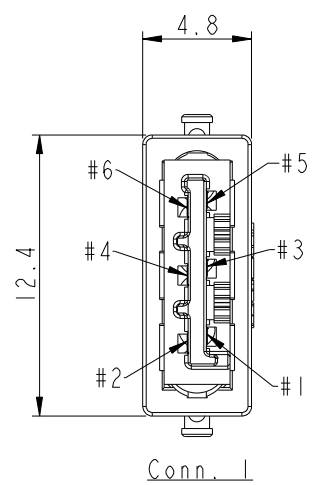
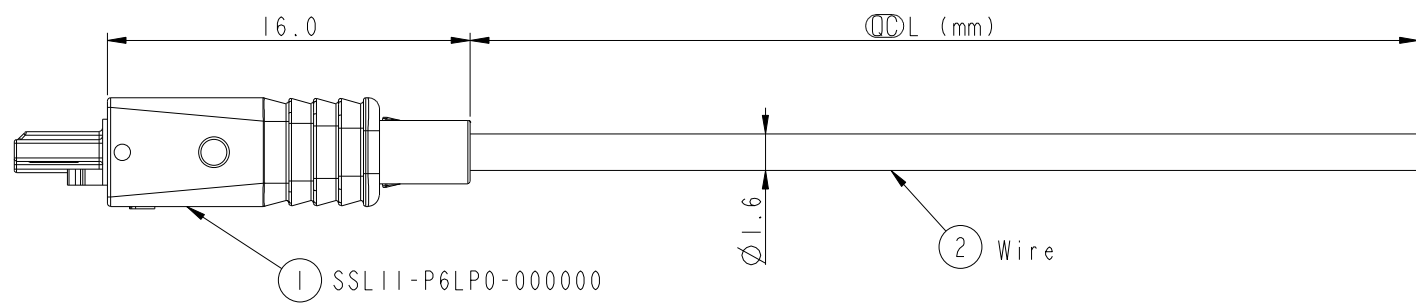


THIS DOCUMENT IS SUBJECT TO CHANGE WITHOUT NOTICE. IT IS CONFIDENTIAL AND A PROPERTY OF Amphenol LTW. DISCLOSURE TO THIRD PARTY HAS TO BE AUTHORIZED BY Amphenol LTW.

REV.	ECN NO.	DATE	SIGN	DESCRIPTION
A	Initial Release	2014-02-11	Fisher	Initial Release

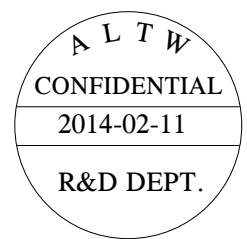


6	Blue	藍
5	Green	綠
4	Yellow	黃
3	Orange	橙
2	Red	紅
1	Brown	棕
Conn. 1	Wire Color	

Pin Out

SSL11-P6LP0-022AXX

- 01: L=100±20 mm.
- 02: L=200±20 mm.
- 04: L=400±25 mm.
- Standard Length is 400mm
- Wire Length Range(L): 100~9900mm
- 22: 22AWG
- LOCK&LATCH OPTION
- 0: W/O LOCK



- Notes:
- \* (QC) Important Dimensions To Check.
  - \* Housing: Thermoplastic, UL94V-0, Natural White.
  - \* Terminal: Copper Alloy, Gold Plated.
  - \* Hood: Thermoplastic, UL94V-0, Natural White.
  - \* SR Mold: PP, UL94V-0, Natural White.
  - \* Wire: UL1430 22AWG, Brown/Red/Orange/Yellow/Green/Blue.
  - \* Wire Length Tolerance: ±5%mm.

UNIT:mm		TITLE	SSL11 WIRE ASS'Y, W/O LOCK		ITEM NO	DRAWN BY	DATE
		6-POS, PLUG TO OPEN		Amphenol LTW	SSL11-P6LP0-022AXX	Fisher_Wang	2014-02-11
TOLERANCE		SCALE	SIZE	SHEET	DWG NO	CHECKED BY	DATE
.X ±0.25		3:1	A4	1 OF 1	SSL11-P6LP0-022AXX	Ivan_Lin	2014-02-11
.XX ±0.1		REV.	WC-REV.	(QC): Inspection item	CUSTOMER	APPROVED BY	DATE
.XXX ±0.05		A	A.2		ALTW	Kevin_Hu	2014-02-11
ANGLES ±1°							

**Amphenol LTW**  
安費諾亮泰企業股份有限公司