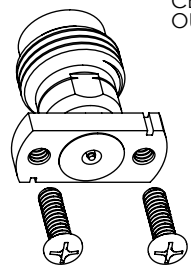
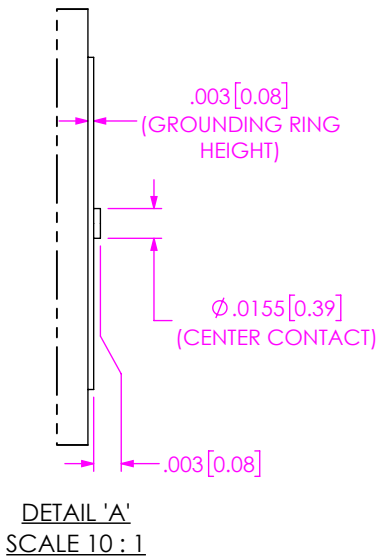
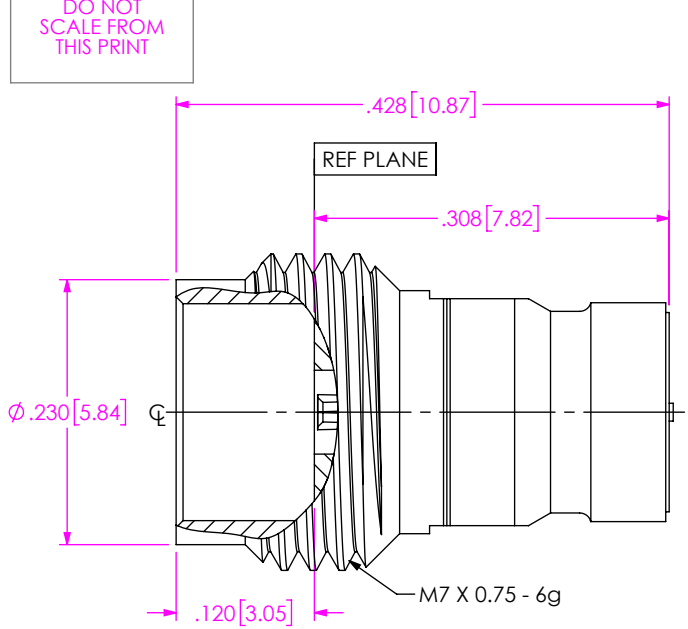


DESIGNED AND DIMENSIONED IN INCHES[MILLIMETERS]
ALL DIMENSIONS REFERENCE EXCEPT AS SHOWN

DO NOT SCALE FROM THIS PRINT



185-J-P-EP-ST-CM-X-X

- SERIES
185: 1.85MM
- GENDER
-J: JACK
- TYPE
-P: PCB
- FINISH
-EP: 50µ" EXTRA HEAVY GOLD CENTER CONTACT, PASSIVATED OUTER CONTACT
- PACKAGING
-BLANK: INDIVIDUALLY BAGGED
-B: BULK PACKAGED (QTY=100 MAX)
- OPTION
-1: OPTION 1 (WITHOUT SCREWS)
-2: OPTION 2 (WITH SCREWS)
- TERMINATION
-CM: COMPRESSION MOUNT STRIPLINE
- ORIENTATION
-ST: STRAIGHT

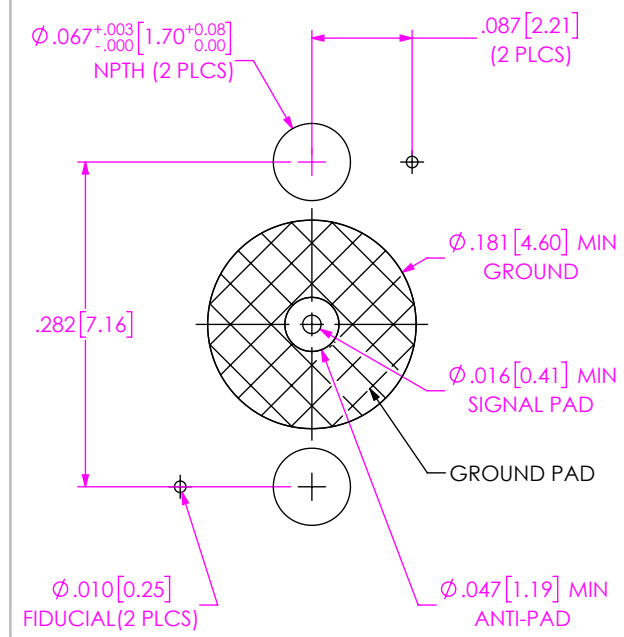
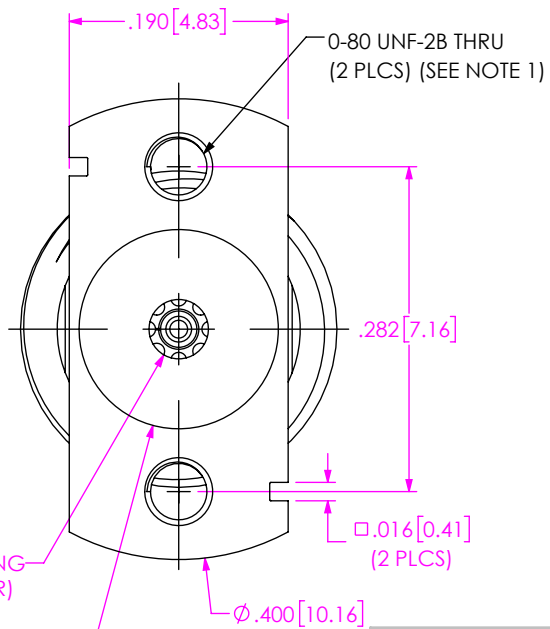
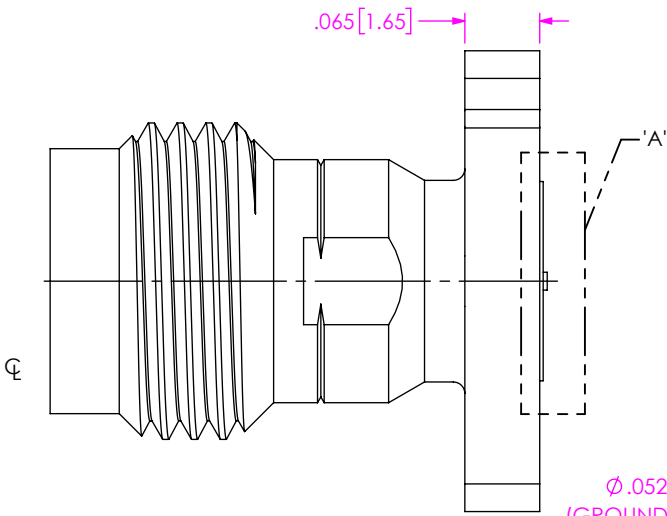


FIG 1
185-J-P-EP-ST-CM-X-X SHOWN

- NOTES:
1. RECOMMENDED MOUNTING TORQUE 0.5-0.8 INCH-POUNDS.
 2. THIS IS A GENERAL FOOTPRINT AND IS NOT OPTIMIZED FOR ELECTRICAL PERFORMANCE, CONTACT SIG@SAMTEC.COM FOR ASSISTANCE WITH ELECTRICAL LAYOUT.

PROPRIETARY NOTE
THIS DOCUMENT CONTAINS CONFIDENTIAL AND PROPRIETARY INFORMATION AND ALL DESIGN, MANUFACTURING, REPRODUCTION, USE, PATENT RIGHTS AND SALES RIGHTS ARE EXPRESSLY RESERVED BY SAMTEC, INC. THIS DOCUMENT SHALL NOT BE DISCLOSED, IN WHOLE OR PART, TO ANY UNAUTHORIZED PERSON OR ENTITY NOR REPRODUCED, TRANSFERRED OR INCORPORATED IN ANY OTHER PROJECT IN ANY MANNER WITHOUT THE EXPRESS WRITTEN CONSENT OF SAMTEC, INC.



520 PARK EAST BLVD. NEW ALBANY, IN 47150
PHONE: 812-944-6733 FAX: 812-948-5047
e-Mail: info@SAMTEC.com code: 55322

DO NOT SCALE DRAWING
SHEET SCALE: 6:1
MATERIAL:
BODY, BUSHING & SCREW: STAINLESS STEEL
SOCKET: COPPER ALLOY

DESCRIPTION:
1.85MM ST JACK FOR COMPRESSION MOUNT STRIPLINE
DWG. NO.
185-J-P-EP-ST-CM-X-X