

MICRO SWITCH

FREERPORT ILLINOIS, U.S.A
A DIVISION OF HONEYWELL
FED. MFG. CODE 91929

SWITCH-BASIC

CATALOG LISTING

V3-3015

CK-X3270

V3-3015

M

DRAWING NUMBER

X 2

X 5

ISSUE

X 5

REPLACES

PR-5823

CHECK

REVISIONS

| | | | | |
|---|----|-------|-----|-----------|
| A | CO | 38059 | GLH | 3 FEB 77 |
| B | CO | 55729 | KEW | 28 AUG 84 |
| C | CO | 56997 | SMA | 1 OCT 85 |
| D | CO | 76103 | LJF | 4 OCT 93 |

CHECK

APRIL 76

C E B

APRIL 76

C E B

CHECK

APRIL 76

C E B

CHECK

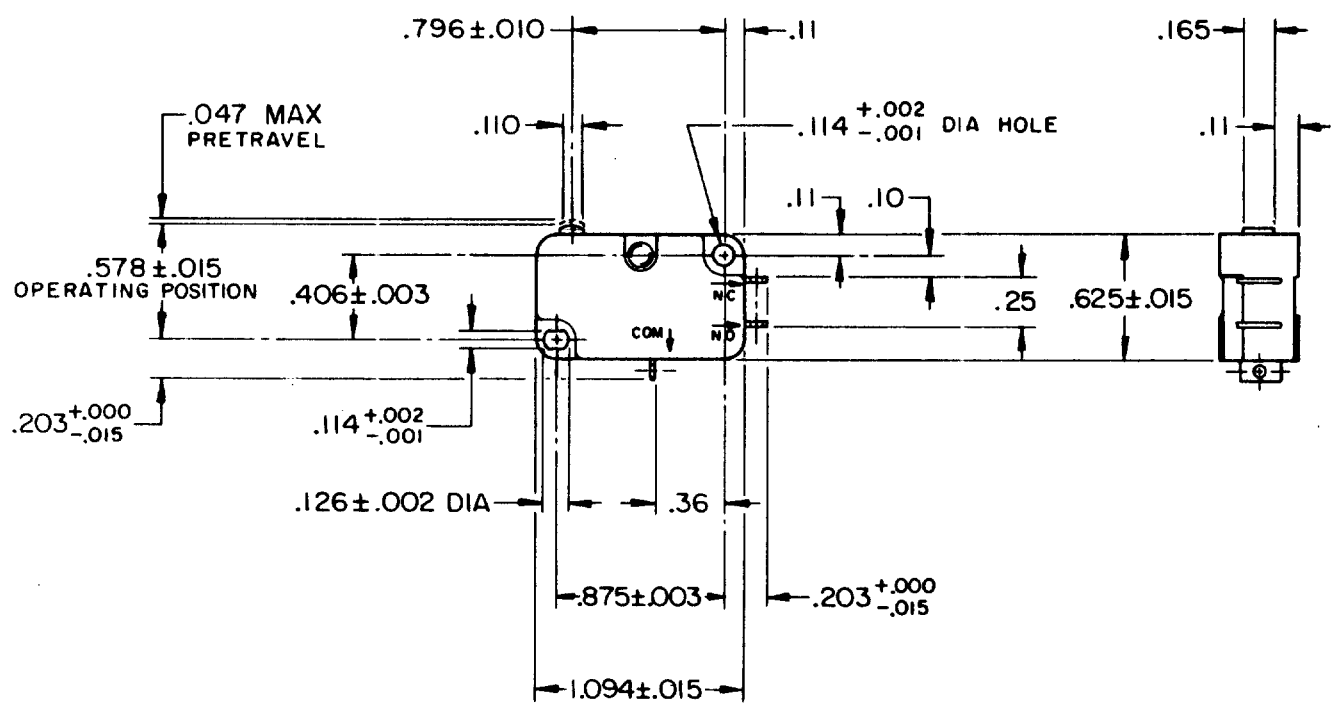
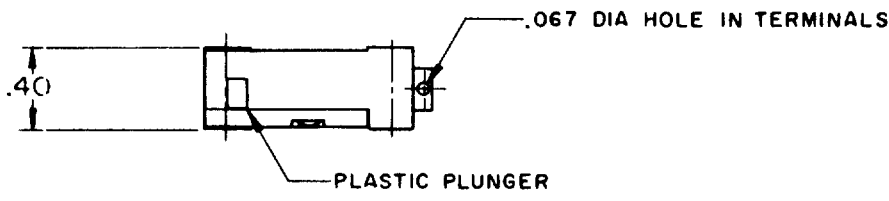
APRIL 76

C E B

CHECK

APRIL 76

FO-52848-A
DRAWN
GLH



NOTE -
I - TERMINALS ARE PLATED FOR SOLDERING

THIS DRAWING COVERS A PROPRIETARY ITEM AND IS THE PROPERTY OF MICRO SWITCH, A DIVISION OF HONEYWELL. THIS DRAWING IS NOT TO BE COPIED OR USED WITHOUT THE APPROVAL OF MICRO SWITCH.

THIRD ANGLE PROJECTION

| CHARACTERISTICS |
|-----------------------------------|
| OPERATING FORCE --- 150 GRAM MAX |
| RELEASE TRAVEL --- .010 MIN |
| RELEASE FORCE --- 15 GRAM MIN |
| DIFFERENTIAL TRAVEL --- .002-.010 |
| OVERTRAVEL --- .050 MIN |
| FREE POSITION --- .625 MAX |

| ELECTRICAL DATA |
|---|
| CONTACT ARRANGEMENT S P D T |
| L83 15.1A 1/2HP 125 OR 250 VAC 1/2A 125 VDC, 1/4A 250 VDC 5A 125 VAC "L" |
| RJ Ⓢ |

| SCALE FULL | | | |
|---|--------------------------|-------------------------------------|-------|
| DO NOT SCALE PRINT | | | |
| TOLERANCES | | | |
| APPLY TO DESIGN UNITS. CONVERSIONS ARE ONLY FOR REFERENCE. UNLESS NOTED, TOLERANCES ARE ± | | | |
| DIM. | TOL. | DIM. | TOL. |
| mm | mm/in | in | mm/in |
| NO PLACES | X | 1/04 | X X |
| ONE PLACE | X.X | 0.4/016 | X.XX |
| TWO PLACES | X.XX | 0.15/006 | X.XXX |
| THREE PLACES | X.XXX | 0.13/005 | |
| ANGLES | | | |
| SI METRIC | | US CUSTOMARY | |
| DESIGN UNITS | <input type="checkbox"/> | <input checked="" type="checkbox"/> | |
| WEIGHT | | | |