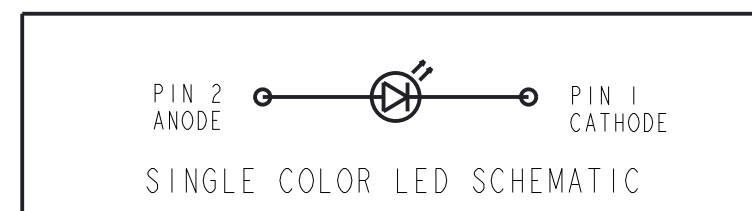
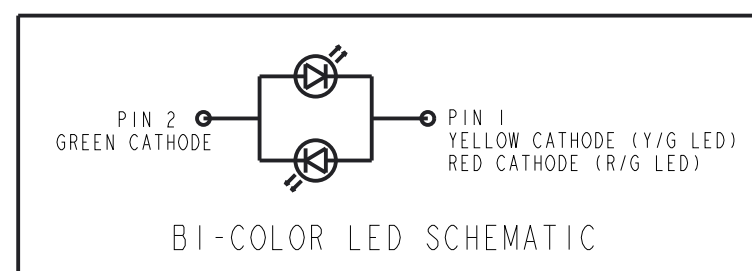
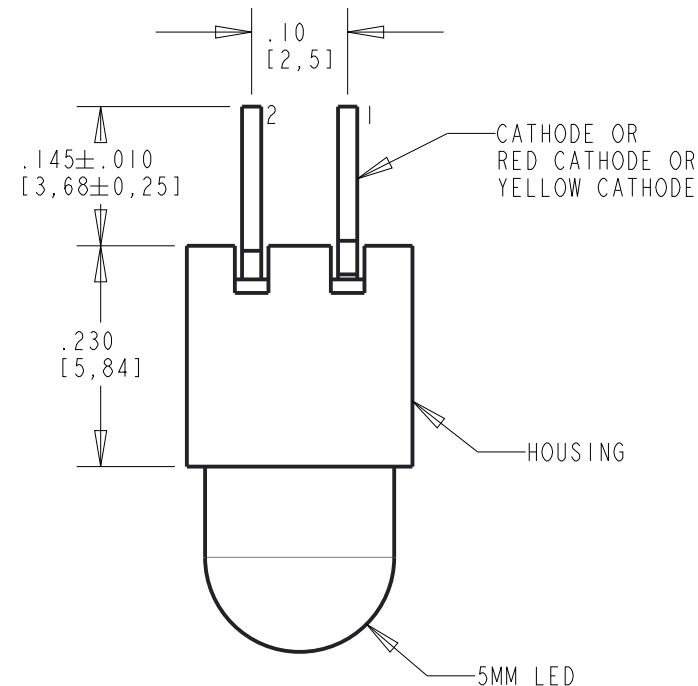


ASSEMBLY NUMBER	LED COLOR	DIM. "A"	DIM. "B"	DIM. "C"	LUM. INT. (MIN)(mcd)	V <sub>F</sub> (MAX.) (V)	I <sub>F</sub> (MAX.) (mA)	λ <sub>PEAK</sub> (nm)	TEST. COND.	I <sub>r</sub> (MAX.) @ 5V(μA)
550-0204F	GREEN DIFFUSED	.135	.020±.002	.043	3.5	2.8		560	20mA	100
550-0304F	YELLOW DIFFUSED	.135	.020±.002	.043	3.5	2.8		585	20mA	100
550-0404F	RED DIFFUSED	.135	.020±.002	.043	3.5	2.8		635	20mA	100
550-0504F	RED DIFFUSED 5 VOLT	.197	.025±.002	.050	2.1		15	635	5V	100
550-0704F	GREEN DIFFUSED 5 VOLT	.197	.025±.002	.050	2.0		15	565	5V	100
550-0804F	YELLOW DIFFUSED 5 VOLT	.197	.025±.002	.050	2.0		15	583	5V	100
550-1004F	BLUE NON-DIFF. WATER CLEAR	.193	.020±.004	.043	520	4.0		470	20mA	100
550-1104F	RED TINTED DIFFUSED 2mA	.197	.018±.002	.040	1.2	2.2		635	2mA	50
550-1204F	YELLOW TINTED DIFFUSED 2mA	.197	.018±.002	.040	2.2	2.7		583	2mA	50
550-1304F	GREEN DIFFUSED 2mA	.197	.018±.002	.040	2.2	2.2		565	2mA	50
550-2204F	GREEN DIFFUSED	.190	.020±.004	.043	3.6	3.0		563	10mA	
550-2304F	YELLOW DIFFUSED	.190	.020±.004	.043	19	2.6		585	10mA	100
550-2404F	RED DIFFUSED	.190	.020±.004	.043	2.2	2.55		650	10mA	100
550-2504F	ORANGE DIFFUSED	.197	.020±.004	.043	4.0	2.4		600	10mA	100
550-3004F	RED/GREEN BI-COLOR	.190	.020±.004	.043	14/9	2.4/2.8		660/565	20mA	100
550-3104F	YEL/GREEN BI-COLOR	.190	.020±.002	.043	2.5	2.8		585/565	20mA	100
550-5104F	RED DIFFUSED	.190	.020±.004	.043	19	2.6		635	10mA	100
550-5204F	GREEN TINTED DIFFUSED	.190	.020±.004	.043	8.7	2.6		569	10mA	100
550-5304F	OBSOLETE USE 550-2304F									
550-5404F	AMBER TINTED DIFFUSED	.190	.020±.004	.043	12.6	2.6		610	10mA	10
550-5504F	RED NON-DIFF. WATER CLEAR	.197	.018±.002	.040	80	3.0		635	20mA	100
550-5604F	GREEN NON-DIFF. WATER CLEAR	.197	.018±.002	.040	80	3.0		585	20mA	100
550-5704F	YELLOW NON-DIFF. WATER CLEAR	.197	.018±.002	.040	80	3.0		583	20mA	100
550-5804F	AMBER NON-DIFF. WATER CLEAR	.190	.024±.004	.050	60	2.5		605	20mA	
550-6004F	WHITE NON-DIFF. WATER CLEAR	.193	.020±.004	.043	880	4.0		SEE CHROMATICITY CHART		

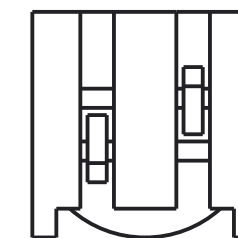
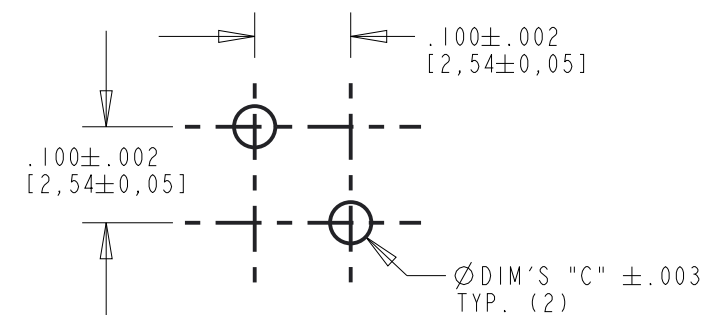
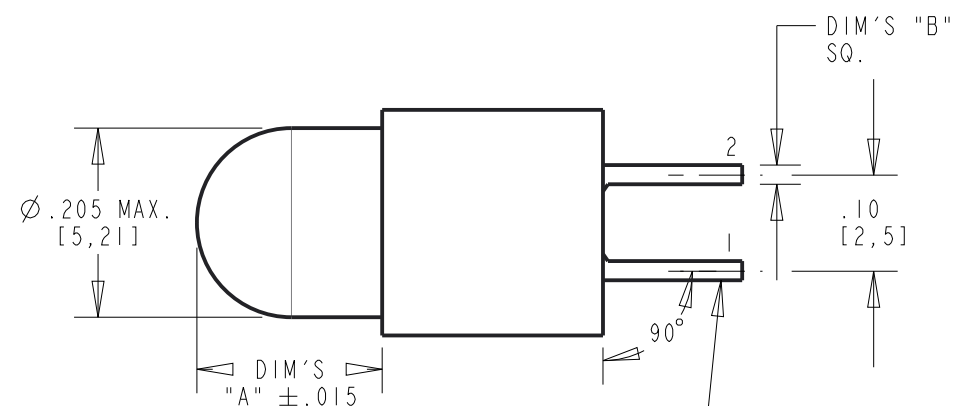
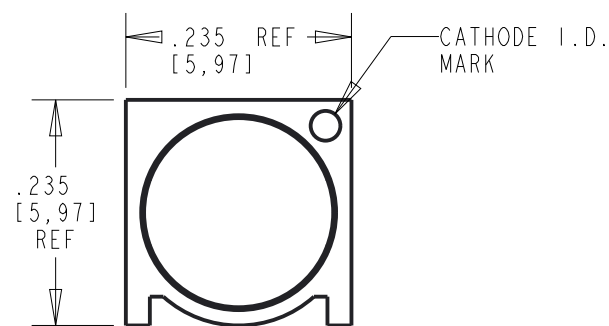
BIN	LIMITS (CHROMATICITY COORDINATES)					
	X	Y	Z	U	V	W
1	X	0.330	0.330	0.356	0.361	
	Y	0.360	0.318	0.351	0.385	
2	X	0.287	0.296	0.330	0.330	
	Y	0.295	0.276	0.318	0.339	
3	X	0.264	0.280	0.296	0.283	
	Y	0.267	0.248	0.276	0.305	
4	X	0.283	0.287	0.330	0.330	
	Y	0.305	0.295	0.339	0.360	

REV	ECN NO	REVISIONS	DRN	CKD	APP	DATE
A	---	NEW RELEASE	KLJ	N.O.	MES	11-13-07
B	---	".10" WAS ".100" (2X); ".235 REF" WAS ".235" (2X); ADDED "±.015" TOL TO DIM "A"; REMOVED DUPLICATE ".230" DIM; REMOVED "*" SEE NOTE 4"; UPDATED FOLLOWING 550-0504F SPECS: MIN LUM INT "2.1" WAS "1.0"; MAX IF "15" WAS "20"; PEAK WAVELENGTH "635" WAS "655".	KLJ	N.O.	MES	5-2-08
C	---	CORRECTED LEAD ORIENTATION IN BACK VIEW.	KLJ	NO	MES	10-16-08
D	---	UPDATED LED SPECS OF 550-5104F, 550-2304F, 550-5204F & 550-5404F	LD	NO		1-25-22
E	---	ON 550-5404F, MIN INT WAS 10, AND TEST CONDITION WAS 20	LD	NO		3-3-22



NOTES:

- LEADS TO FIT INTO HOLE PATTERN AS SHOWN.
- LED LEAD DIMENSIONS SHOWN ARE MEASURED AT HOUSING EXIT.
- PIN NUMBERS FOR REFERENCE ONLY, DESIGNATION NON-EXISTENT ON PARTS.
- THIS ASSEMBLY CONTAINS ELECTROSTATIC DISCHARGE SENSITIVE DEVICES (ESDS). MAINTAIN ALL PRECAUTIONARY MEASURES DURING ASSEMBLY, HANDLING AND STORAGE IN ACCORDANCE WITH IPC-A-610.
- DIALIGHT PART NUMBERS: 550-0204F THRU 550-6004F



CATHODE LEAD FOR SINGLE COLOR  
RED CATHODE FOR RED/GRN BI-COLOR  
YELLOW CATHODE FOR YEL/GRN BI-COLOR

**RoHS Compliant 550-XX04F Thru-hole CBI**

Part Numbers with the "F" suffix ending are RoHS Compliant. ex: 550-XX04F  
The bag packaging is marked with "RoHS Compliant" label or equivalent markings. Parts can be wave soldered, dip soldered or hand soldered using typical lead-free soldering process with max 260°C temp. for 5 sec.



**ATTENTION:**  
OBSERVE PRECAUTIONS FOR  
HANDLING ELECTROSTATIC  
SENSITIVE DEVICES

THIS DRAWING AND THE CONTENTS HEREIN ARE CONFIDENTIAL AND THE SOLE PROPERTY OF DIALIGHT CORP. REPRODUCTION OF THIS DRAWING OR CONSTRUCTION OF ANY PARTS WITHIN THIS DRAWING ARE FORBIDDEN WITHOUT THE WRITTEN CONSENT OF DIALIGHT CORP.		
SCALE: 5:000	DRAWING NUMBER	REV
ALL DIM'S IN: INCHES (MM)	C-17569	E
TOLERANCES: UNLESS OTHERWISE SPECIFIED	TITLE	
FRACTIONS: ±1/64	5mm LED CBI, TOP VIEW	
DECIMALS (.XX): ±.01	MATERIAL	
DECIMALS (.XXX): ±.005		
DECIMALS (.XXXX): ±.0005		
ANGLES: ±1°		
FINISH	Dialight	
FSCM 83330	1501 ROUTE 34 SOUTH FARMINGDALE, NJ 07727 (732) 919-3119 www.dialight.com	
SHEET 1 OF 1	FAMILY TABLES:	