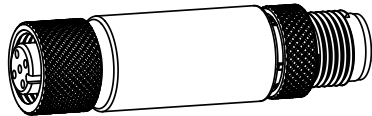


S15C Analog to Pulsed I/O Converter

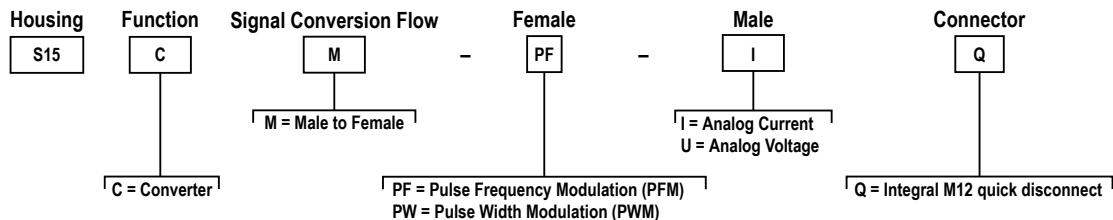


Datasheet



- Compact converter that connects to a current source (4 mA to 20 mA) or a voltage source (0 V DC to 10 V DC), and outputs the value as a pulsed signal, either PFM or PWM
- Rugged over-molded design meets IP65, IP67, and IP68
- Connects directly to a Pulse Pro enabled indicator or anywhere in-line for ease of use

Models



Pulsed I/O

Pulse Frequency Modulation (PFM) is a digital way to represent an analog value by varying the frequency of a pulse train. It is measured in Hertz (Hz).

Pulse Width Modulation (PWM) is a digital way to represent an analog value by varying the width of pulses at a constant frequency. The duty cycle (on-time versus off-time) is measured in percent from 0-100.

Wiring Diagrams

| Male | Female | Pin | Wire Color |
|------|--------|-----|------------|
| | | 1 | Brown |
| | | 2 | White |
| | | 3 | Blue |
| | | 4 | Black |

| Male (Analog Input) | Signal Description |
|---------------------|--|
| Pin 1 | 12 V DC to 30 V DC |
| Pin 2 | Analog Input (4 mA to 20 mA, or 0 V to 10 V) |
| Pin 3 | Ground |
| Pin 4 | Analog Reference |

| Female (Pulse Output) | Signal Description |
|-----------------------|---|
| Pin 1 | 12 V DC to 30 V DC |
| Pin 2 | Pulse Frequency Modulated (PFM) Output* |
| Pin 3 | Ground |
| Pin 4 | Pulse Width Modulated (PWM) Output* |

*Only one output per device based on model

Status Indicators

Power LED Indicator (Green)

- Solid = Power On
- Off = Power Off

Pulsed I/O LED Indicator (Amber)

- Solid = Pulsed output is in range and active
- Flashing = Pulsed output is at limits
- Off = Pulsed output is inactive

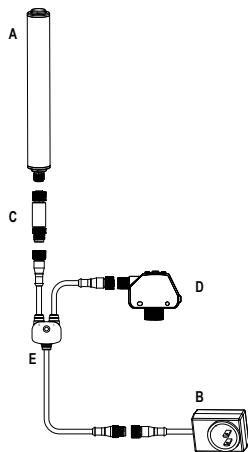
Analog Input LED Indicator (Amber)

- Solid = Analog value is within valid range (4 mA to 20 mA, or 0 V to 10 V)
- Flashing = Output is at limits or out of range

| Default Value Table | | |
|---------------------|--------|------|
| Analog | PFM | PWM |
| 0 V | 100 Hz | 0% |
| 10 V | 600 Hz | 100% |
| 4 mA | 100 Hz | 0% |
| 20 mA | 600 Hz | 100% |



Connecting a Pro Light to a Sensor or PLC



- A = WLS27 Pro, WLS15 Pro, or TL50 Pro with Pro Editor
- B = Power Supply (PSW-24-1 or PSD-24-4)
- C = S15C Pulse Pro Converter; for model selection, see [Table 1](#) below
- D = Sensor or PLC with 0-10 V or 4-20 mA analog output; for model selection, see [Table 1](#) below
- E = Splitter to connect sensor and light (CSB-M1241M1241)

Table 1: Model Selection

| Output: Pulse Pro (Female) | Input: Analog (Male) | |
|----------------------------|----------------------|-------------|
| | 4-20 mA | 0-10 V |
| PFM | S15CM-PF-IQ | S15CM-PF-UQ |
| PWM | S15CM-PW-IQ | S15CM-PW-UQ |



Note: For installation flexibility, see double-ended cordset options in [Accessories](#) on page 3.

Specifications

Supply Voltage

12 V DC to 30 V DC at 50 mA maximum exclusive of load
 PWM/PFM output: 50 mA maximum

Supply Protection Circuitry

Protected against reverse polarity and transient voltages

Sampling Rate

20 Hz

Indicators

Green power
 Amber pulse output present
 Amber analog value present

Connections

Integral male/female 4-pin M12 quick disconnect

Construction

Coupling Material: Nickel-plated brass
 Connector Body: PVC translucent black

Vibration and Mechanical Shock

Meets IEC 60068-2-6 requirements (Vibration: 10 Hz to 55 Hz, 0.5 mm amplitude, 5 minutes sweep, 30 minutes dwell)
 Meets IEC 60068-2-27 requirements (Shock: 15G 11 ms duration, half sine wave)

Certifications



Advanced Capabilities



Environmental Rating

IP65, IP67, IP68
 NEMA/UL Type 1

Operating Conditions

Temperature: -40 °C to +70 °C (-40 °F to +158 °F)
 90% at +70 °C maximum relative humidity (non-condensing)
Storage Temperature: -40 °C to +80 °C (-40 °F to +176 °F)

Required Overcurrent Protection



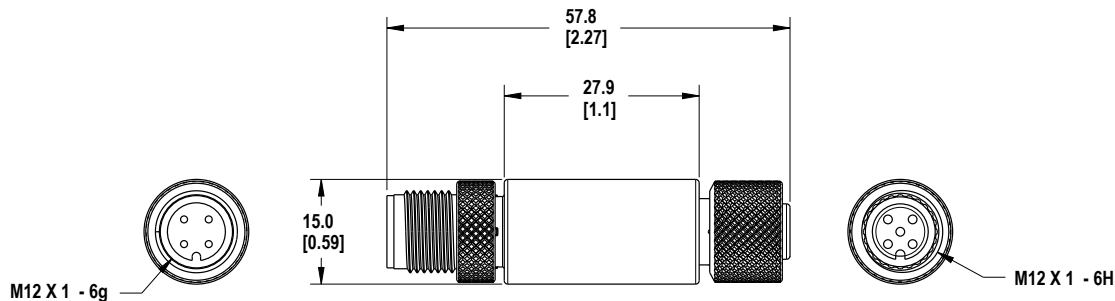
WARNING: Electrical connections must be made by qualified personnel in accordance with local and national electrical codes and regulations.

Overcurrent protection is required to be provided by end product application per the supplied table.
 Overcurrent protection may be provided with external fusing or via Current Limiting, Class 2 Power Supply.
 Supply wiring leads < 24 AWG shall not be spliced.
 For additional product support, go to www.bannerengineering.com.

| Supply Wiring (AWG) | Required Overcurrent Protection (Amps) |
|---------------------|--|
| 20 | 5.0 |
| 22 | 3.0 |
| 24 | 2.0 |
| 26 | 1.0 |
| 28 | 0.8 |
| 30 | 0.5 |

Dimensions

All measurements are listed in millimeters [inches], unless noted otherwise.



Accessories

Cordsets

| 4-Pin Threaded M12 Cordsets—Double Ended | | | | |
|--|------------------|-------------------------------|------------|---|
| Model | Length | Style | Dimensions | Pinout |
| MQDEC-401SS | 0.31 m (1 ft) | Male Straight/Female Straight | | Female |
| MQDEC-403SS | 0.91 m (2.99 ft) | | | |
| MQDEC-406SS | 1.83 m (6 ft) | | | Male |
| MQDEC-430SS | 9.14 m (30.2 ft) | | | <p>1 = Brown 2 = White 3 = Blue 4 = Black</p> |

| 5-Pin Threaded M12 Shielded Twisted Pair Cordsets—Double Ended | | | | |
|--|---------------|-------------------------------------|------------|--|
| Model | Length | Style | Dimensions | Pinout (Female) |
| MQDEC-STP-501SS-FF | 0.31 m (1 ft) | Female Straight/ Female Straight | | <p>1 = Brown 2 = White 3 = Blue 4 = Black 5 = Shield</p> |

| 4-Pin Threaded M12 Splitter Cordsets—Flat Junction | | | | |
|--|-------------------|-------------------------------|---|--|
| Model | Branches (Female) | Trunk (Male) | Pinout | |
| CSB-M1240M1240 | No branch | No trunk | Female | |
| CSB-M1240M1241 | 2 × 0.3 m (1 ft) | No trunk | | |
| CSB-M1241M1241 | | 0.30 m (1 ft) | Male | |
| CSB-M1248M1241 | | 2.44 m (8 ft) | | |
| CSB-M12415M1241 | | 4.57 m (15 ft) | | |
| CSB-M12425M1241 | | 7.60 m (25 ft) | | |
| CSB-UNT425M1241 | | 7.60 m (25.0 ft) Unterminated | | |
| | | | <p>1 = Brown 2 = White 3 = Blue 4 = Black</p> | |

Banner Engineering Corp. Limited Warranty

Banner Engineering Corp. warrants its products to be free from defects in material and workmanship for one year following the date of shipment. Banner Engineering Corp. will repair or replace, free of charge, any product of its manufacture which, at the time it is returned to the factory, is found to have been defective during the warranty period. This warranty does not cover damage or liability for misuse, abuse, or the improper application or installation of the Banner product.

THIS LIMITED WARRANTY IS EXCLUSIVE AND IN LIEU OF ALL OTHER WARRANTIES WHETHER EXPRESS OR IMPLIED (INCLUDING, WITHOUT LIMITATION, ANY WARRANTY OF MERCHANTABILITY OR FITNESS FOR A PARTICULAR PURPOSE), AND WHETHER ARISING UNDER COURSE OF PERFORMANCE, COURSE OF DEALING OR TRADE USAGE.

This Warranty is exclusive and limited to repair or, at the discretion of Banner Engineering Corp., replacement. **IN NO EVENT SHALL BANNER ENGINEERING CORP. BE LIABLE TO BUYER OR ANY OTHER PERSON OR ENTITY FOR ANY EXTRA COSTS, EXPENSES, LOSSES, LOSS OF PROFITS, OR ANY INCIDENTAL, CONSEQUENTIAL OR SPECIAL DAMAGES RESULTING FROM ANY PRODUCT DEFECT OR FROM THE USE OR INABILITY TO USE THE PRODUCT, WHETHER ARISING IN CONTRACT OR WARRANTY, STATUTE, TORT, STRICT LIABILITY, NEGLIGENCE, OR OTHERWISE.**

Banner Engineering Corp. reserves the right to change, modify or improve the design of the product without assuming any obligations or liabilities relating to any product previously manufactured by Banner Engineering Corp. Any misuse, abuse, or improper application or installation of this product or use of the product for personal protection applications when the product is identified as not intended for such purposes will void the product warranty. Any modifications to this product without prior express approval by Banner Engineering Corp will void the product warranties. All specifications published in this document are subject to change; Banner reserves the right to modify product specifications or update documentation at any time. Specifications and product information in English supersede that which is provided in any other language. For the most recent version of any documentation, refer to: www.bannerengineering.com.

For patent information, see www.bannerengineering.com/patents.

FCC Part 15

This device complies with Part 15 of the FCC Rules. Operation is subject to the following two conditions: 1) This device may not cause harmful interference; and 2) This device must accept any interference received, including interference that may cause undesired operation.

Industry Canada

This device complies with CAN ICES-3 (B)/NMB-3(B). Operation is subject to the following two conditions: 1) This device may not cause harmful interference; and 2) This device must accept any interference received, including interference that may cause undesired operation.

Cet appareil est conforme à la norme NMB-3(B). Le fonctionnement est soumis aux deux conditions suivantes : (1) ce dispositif ne peut pas occasionner d'interférences, et (2) il doit tolérer toute interférence, y compris celles susceptibles de provoquer un fonctionnement non souhaité du dispositif.