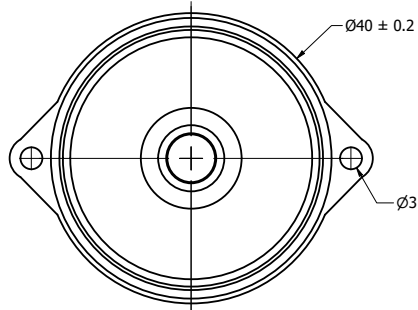
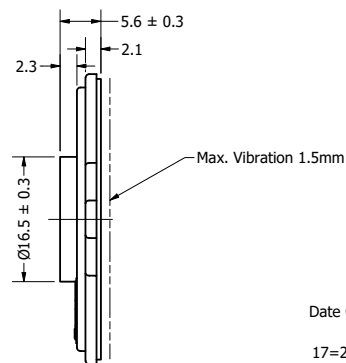


Part Number:	<b>SW400508-1</b>	
DRAWN	CJ	3/24/2017
CHECKED	P.D.	5/12/2017
APPROVED	C.E.	5/12/2017
Description:	<b>Waterproof Dynamic Speaker</b>	
This document contains data proprietary to DB Unlimited. Any use or reproduction, in any form, without prior written permission of DB Unlimited is prohibited. All terms and conditions can be found at <a href="http://www.dbunlimitedco.com">www.dbunlimitedco.com</a>		

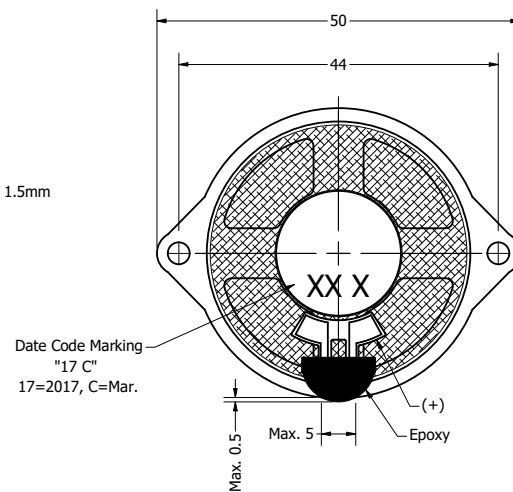
Top View



Side View



Bottom View



Items	Specifications	Conditions
Sound Pressure Level	92	dB (@ 10cm), Avg.
Resonant Frequency	550	Hz
Frequency Range	550 ~ 10,000	Hz
Nominal Power	0.5	W
Max. Power	1	W
Impedance	8	Ω
Cone Material	Mylar	
Mount Type	Flange Mount	
IP Rating	IP67	
Storage Temperature	-40 ~ +85	°C
Operating Temperature	-20 ~ +70	°C
Weight	10.15	g

REVISION HISTORY

REV	DESCRIPTION	DATE	APPROVED
1	Released from Engineering	5/12/2017	C.E.
2	Modify SPL condition, diaphragm clearance	9/22/2017	C.E.
3	Added polarity marking, change max vibration to 1.5mm	10/24/2017	C.E.
4	Update markings	2/28/2018	C.E.
	Updated back diameter and tolerances	5/10/2020	J.S.

NOTES

- 1) All dimensions are in mm unless otherwise noted
- 2) All tolerances are ± 0.5 mm unless otherwise noted
- 3) All parts meet RoHS
- 4) Subject to change or redrawn without notice