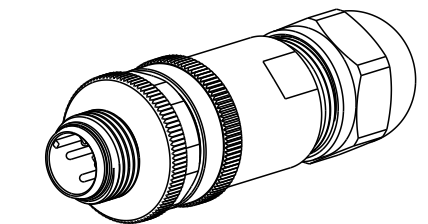
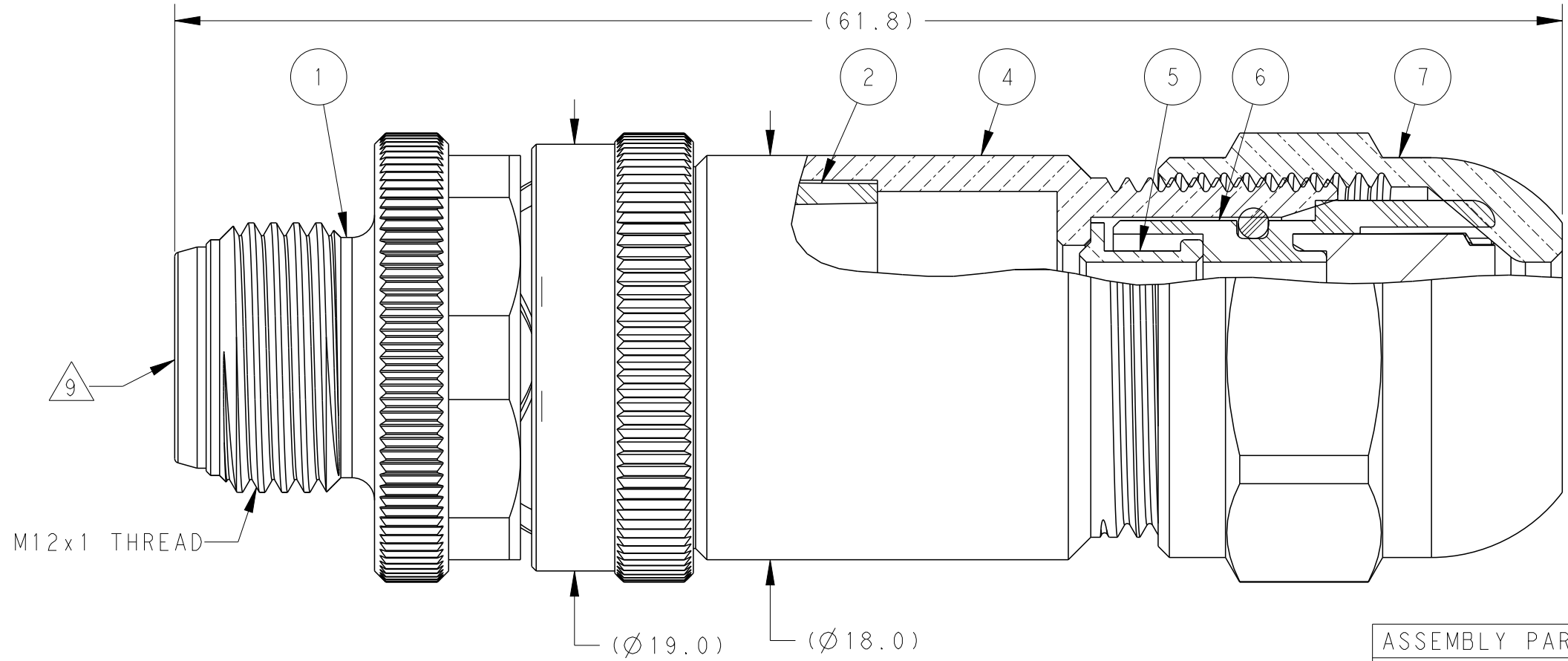
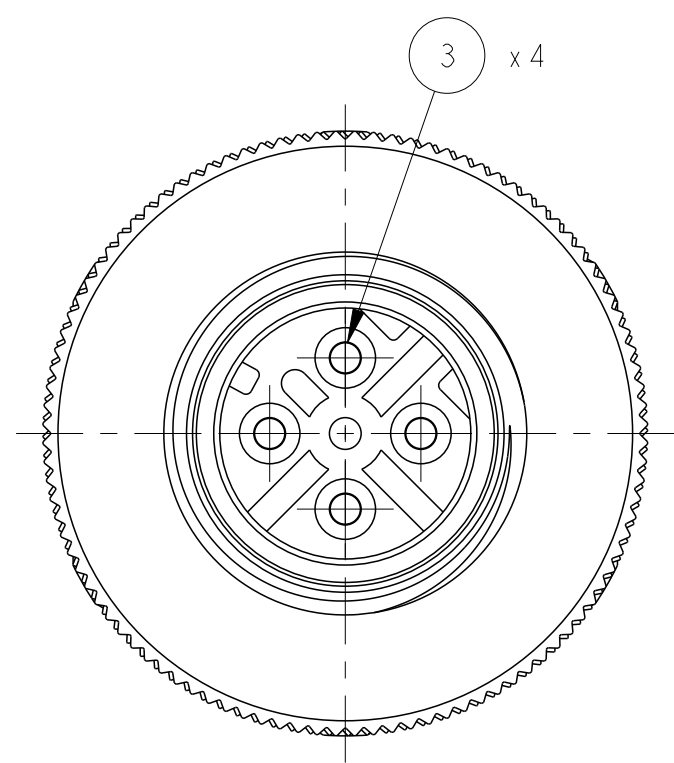


P	LTR	DESCRIPTION	DATE	DWN	APVD
	A	ECO-21-006862	16JUN2020	NR	MV



SCALE 1:1

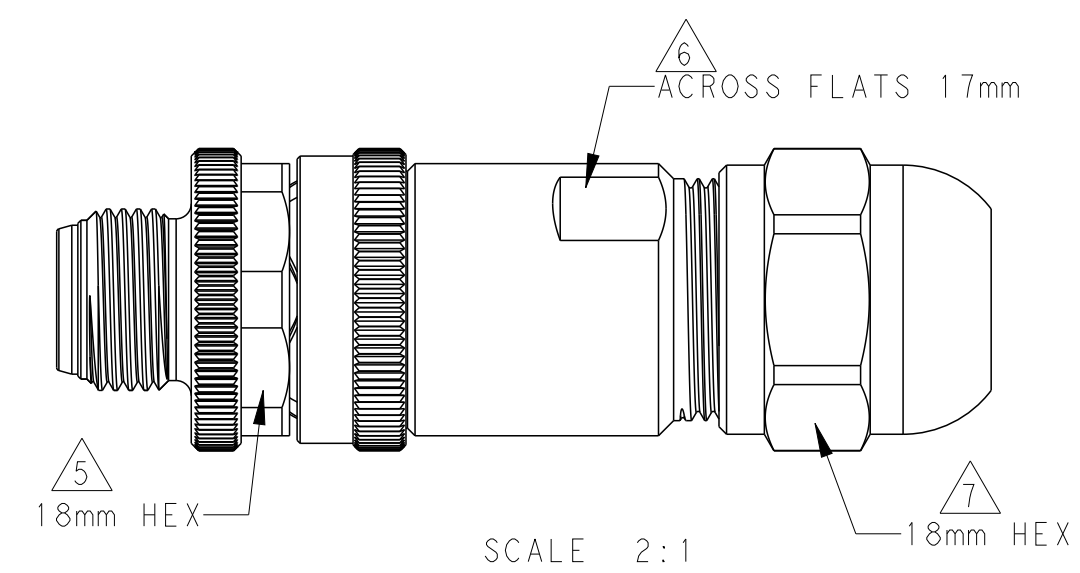


ASSEMBLY PART NUMBER	CONTACT SIZE	SEAL	CABLE FEED
2351378-1	22-26 AWG	PG7	4-6mm
2351378-2	22-26 AWG	PG9	6-8.4mm
2351378-3	18-20 AWG	PG7	4-6mm
2351378-4	18-20 AWG	PG9	6-8.4mm

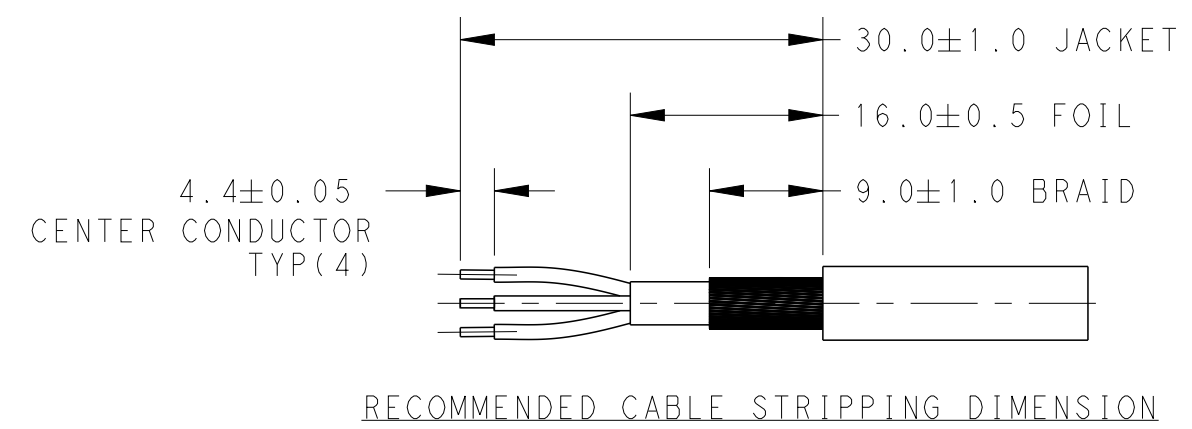
TECHNICAL DATA	M12 MALE, D4 CODE
RATED VOLTAGE	250V
RATED CURRENT	4A
POLLUTION DEGREE	3
OVERVOLTAGE CATEGORY	II
MATERIAL GROUP	II
CONTACT RESISTANCE	≤8mΩ
INSULATION RESISTANCE	>100MΩ
DEGREE OF PROTECTION	IP67
OPERATION TEMPERATURE	-40-85°C

NOTES;

- (): DIMENSIONS FOR INFORMATION
 : INSPECTION DIMENSIONS.
- FRAMED DIMENSIONS ARE TO BE STRICTLY ADHERED TO.
- TECHNICAL DATA: SEE TABLE
- THE M12 CONNECTOR ASSEMBLY MUST MEET IP67 SEALING REQUIREMENT AT MATED CONDITION.
- TIGHTENING TORQUE FOR MATING FEMALE CONNECTOR - 0.6NM.
- TIGHTENING TORQUE - 1NM.
- TIGHTENING TORQUE - 1NM.
- PACKAGING: 1 PIECE IN A BAG
- INTERFACE DIMENSIONS PER IEC 61076-2-101.
- CABLE WIRE SIZE RANGE AWG 18-26.
- THIS CONNECTOR IS COMPLIANT TO FIRE AND SMOKE STANDARD EN45545-2 AND SHOCK & VIBRATION STANDARD EN61373.
- CONTACT CRIMPING TOOL: 601966-1 (M22520/2-01)
 POSITIONER: 2392543-1
 SELECTOR NUMBER: 6 (FOR AWG 22-26)
 7 (FOR AWG 18-20)
- CONTACT PART NUMBER: 2351768-1 (22-26 AWG)
 2351768-2 (18-20 AWG)
- THE CABLE IMPEDANCE SHOULD BE IN THE RANGE OF 95 - 100 Ω.
- STRICTLY FOLLOW THE RECOMMENDED CABLE STRIPPING DIMENSIONS.



SCALE 2:1



RECOMMENDED CABLE STRIPPING DIMENSION

ITEM NO.	DESCRIPTION	QTY	MATERIAL	PLATING
7	PRESS SCREW	1	BRASS	NICKEL
6	PINCH RING SUB ASSEMBLY	1	-	-
5	SHIELDING RING	1	BRASS	NICKEL
4	METAL BODY	1	BRASS	NICKEL
3	MALE CONTACT	4	PHOSPHOR BRONZE	GOLD
2	CONTACT POSITIONER	1	POLYAMIDE	BLACK
1	M12 MALE, SUB ASSEMBLY	1	-	-

THIS DRAWING IS A CONTROLLED DOCUMENT.

DWN	28OCT2019	RAJAGOPAL N
CHK	28OCT2019	M. BONNIN
APVD	28OCT2019	M. VIMARD

TE Connectivity

STE

M12 MALE STRAIGHT SHIELDED CONNECTOR
 D4 CODE, CRIMP TYPE, IP 67

SIZE	CAGE CODE	DRAWING NO	RESTRICTED TO
A2	00779	C-2351378	

SCALE 5:1 SHEET 1 OF 1 REV A