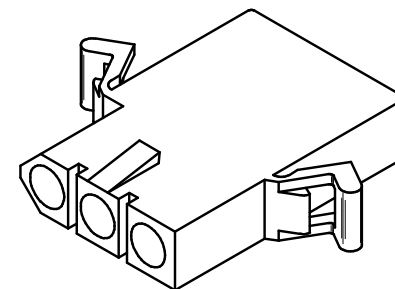
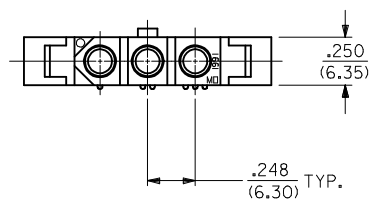
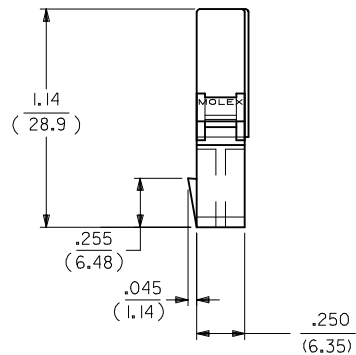
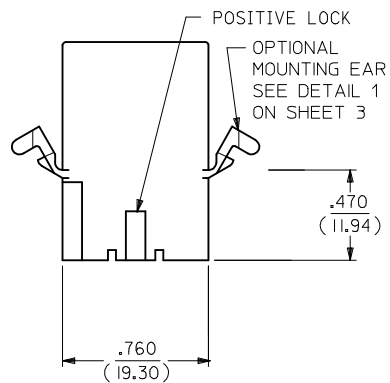
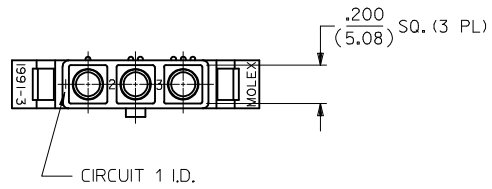


PLUG HOUSING

REMOVE OBSOLETE IEC NO: UCP2014-3949 DRWN:KIPPER 2014/05/06 CHKD:ANDERSON 2014/05/06 APPR:FSMITH 2014/06/10	QUALITY SYMBOLS 	GENERAL TOLERANCES (UNLESS SPECIFIED)		DIMENSION STYLE	SCALE	DESIGN UNITS	THIRD ANGLE PROJECTION		
				IN/MM	2:1	INCH			
				DRAWN BY	DATE	.093/(2.36) HOUSINGS, PLUG AND RECEPTACLE, 3 CKT, .248/(6.30) CTRS molex			
				CHECKED BY	DATE				
X1	DESCRIPTION REV	DRAFT WHERE APPLICABLE MUST REMAIN WITHIN DIMENSIONS		APPROVED BY	DATE	MATERIAL NO.	DOCUMENT NO.		
				FSMITH	2014/06/10	SEE CHART	SD-1991-3*		
		ANGULAR $\pm 1^\circ$		SIZE		SHEET NO.			
				C		1 OF 3			
				THIS DRAWING CONTAINS INFORMATION THAT IS PROPRIETARY TO MOLEX INCORPORATED AND SHOULD NOT BE USED WITHOUT WRITTEN PERMISSION					



RECEPTACLE HOUSING

SEE SHEET 1 EC NO: UCP2014-3949 DRWN:KIPPER 2014/05/06 CHKD:ANDERSON 2014/05/06 APPR:FSMITH 2014/06/10	QUALITY SYMBOLS ∇=0 ∇=0 ∇=0	GENERAL TOLERANCES (UNLESS SPECIFIED)		DIMENSION STYLE IN/MM		SCALE 2:1	DESIGN UNITS INCH	THIRD ANGLE PROJECTION		
		4 PLACES ± --- ± --- 3 PLACES ± --- ±.005 2 PLACES ± 0.13 ±.010 1 PLACE ± 0.25 ± --- 0 PLACE ± --- ± ---	mm INCH --- --- ±.005 ±.010 ±.010 ±.010 ±.010 ±.010	DRAWN BY GEP	DATE 1988/03/07	TITLE .093/(2.36) HOUSINGS, PLUG AND RECEPTACLE, 3 CKT, .248/(6.30) CTRS				
		ANGULAR ± 1°		CHECKED BY RW	DATE 1988/03/07	APPROVED BY FSMITH		DATE 2014/06/10	MATERIAL NO. SEE CHART	DOCUMENT NO. SD-1991-3*
		DRAFT WHERE APPLICABLE MUST REMAIN WITHIN DIMENSIONS		SIZE C		THIS DRAWING CONTAINS INFORMATION THAT IS PROPRIETARY TO MOLEX INCORPORATED AND SHOULD NOT BE USED WITHOUT WRITTEN PERMISSION		SHEET NO. 2 OF 3		

PLUG		
PART NO.	ENG. NO.	PKG. INFORMATION
19-09-2031	1991-3P	PK-1991-001
19-09-7031	1991-3PBK	PK-1991-001
19-09-7032	1991-3PIBK	PK-1991-001
19-09-2032	1991-3PI	PK-1991-002
19-09-7034	1991-3PIOR	PK-1991-001

RECEPTACLE		
PART NO.	ENG. NO.	PKG. INFORMATION
19-09-1032	1991-3RI	PK-1991-001
19-09-6031	1991-3RBK	PK-1991-001
19-09-6032	1991-3RIBK	PK-1991-001

LEGEND:

1991-3****

CIRCUIT SIZE

P = PLUG

R = RECEPTACLE

BLANK = PREBENT EARS

PER DETAIL I

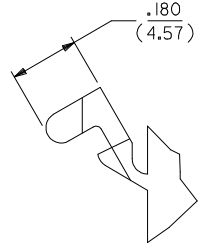
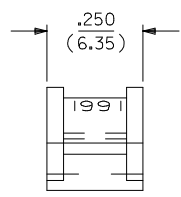
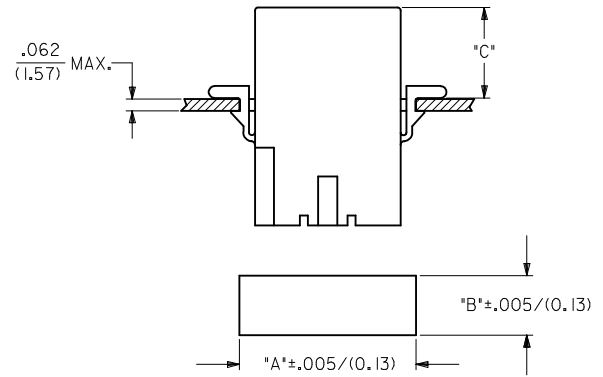
I = WITHOUT EARS

COLOR: BLANK=NATURAL COLOR

AM=AMBER BK=BLACK BU=BLUE

BN=BROWN GY=GRAY GN=GREEN

OR=ORANGE RD=RED YW=YELLOW



HOUSING	DIM. "A"	DIM. "B"	DIM. "C" STD. EAR	DIM. "C" PREBENT
PLUG	1.022/(25.96)	.365/(9.27)	.48/(12.2)	.52/(13.2)
RECEPTACLE	.920/(23.37)	.311/(7.90)	.47/(11.9)	.51/(12.9)

DETAIL I
PREBENT MOUNTING EAR
(SCALE 4:1)

- NOTES:
1. MATERIAL: NYLON TYPE 6/6, 94V-2.
 2. FINISH: NOT APPLICABLE
 3. PRODUCT SPECIFICATION: PS-02-09
 4. PACKAGING SPECIFICATION: SEE CHART
 5. ACCEPTS MOLEX .093/(2.36) SERIES TERMINALS.
 6. PARTS CONFORM TO CLASS B REQUIREMENTS OF COSMETIC SPECIFICATION PS-45499-002.

SEE SHEET 1 EC NO: UCP2014-3949 DRWN:KIPPER 2014/05/06 CHKD:ANDERSON 2014/05/06 APPR:FSMITH 2014/06/10	QUALITY SYMBOLS	GENERAL TOLERANCES (UNLESS SPECIFIED)	DIMENSION STYLE	SCALE	DESIGN UNITS	THIRD ANGLE PROJECTION
	▽=0	mm INCH	IN/MM	2:1	INCH	
	▽=0	4 PLACES ± --- ± ---	DRAWN BY DATE	.093/(2.36) HOUSINGS, PLUG AND RECEPTACLE, 3 CKT, .248/(6.30) CTRS molex		
	▽=0	3 PLACES ± --- ± .005	GEP 1988/03/07			
	2 PLACES ± 0.13 ± .010	CHECKED BY DATE	SD-1991-3* 3 OF 3			
	1 PLACE ± 0.25 ± ---	RW 1988/03/07				
	0 PLACE ± --- ± ---	APPROVED BY DATE	THIS DRAWING CONTAINS INFORMATION THAT IS PROPRIETARY TO MOLEX INCORPORATED AND SHOULD NOT BE USED WITHOUT WRITTEN PERMISSION			
		FSMITH 2014/06/10				
	ANGULAR ± 1°	MATERIAL NO.	DOCUMENT NO.			SHEET NO.
	DRAFT WHERE APPLICABLE MUST REMAIN WITHIN DIMENSIONS	SEE CHART	SD-1991-3*			3 OF 3