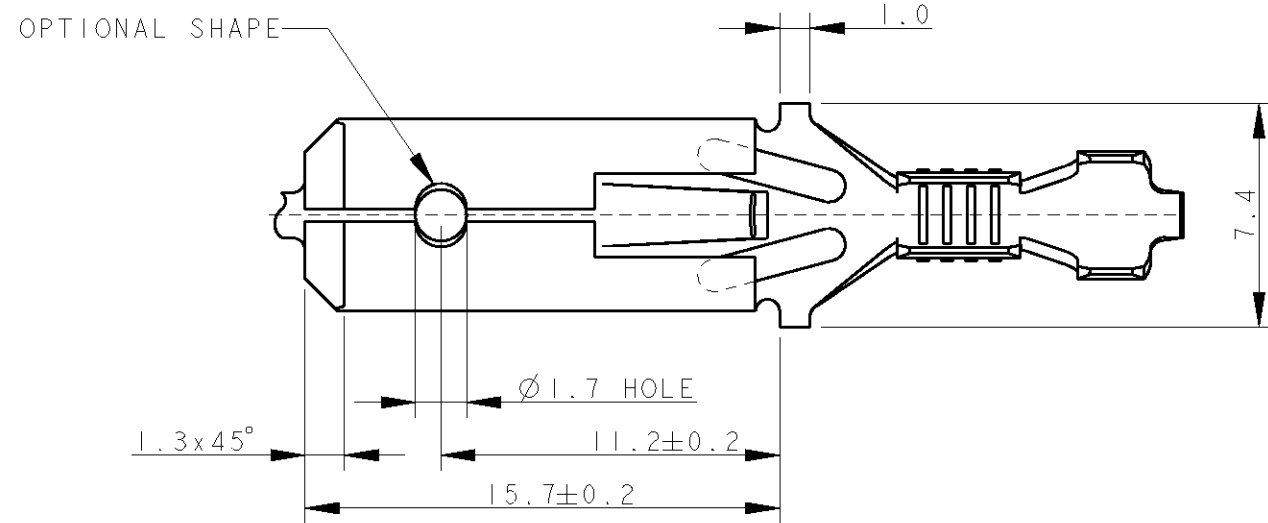
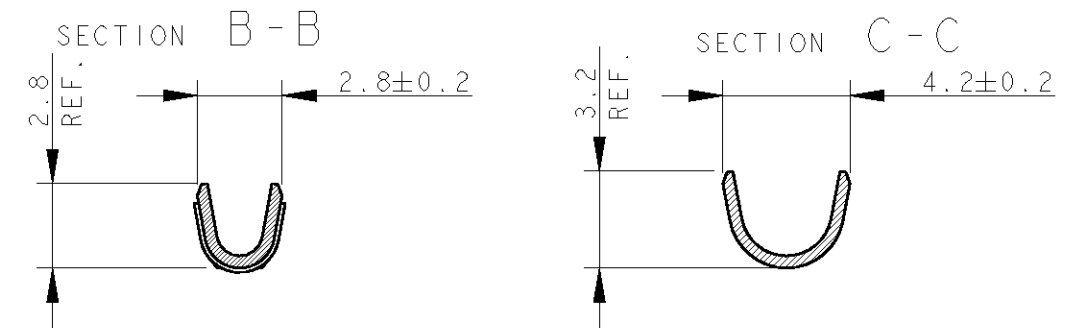
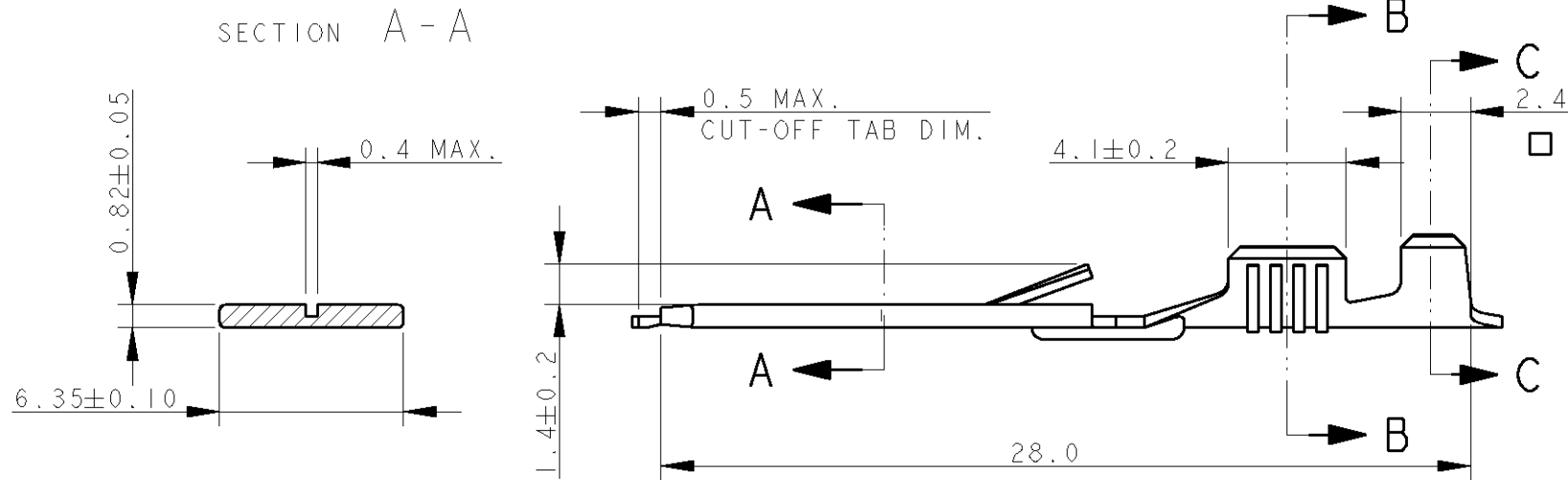


THIS DRAWING IS UNPUBLISHED. RELEASED FOR PUBLICATION 2003
 © COPYRIGHT 2003 BY TYCO ELECTRONICS CORPORATION. ALL RIGHTS RESERVED.

LOC	DIST	REVISIONS					
		P	LTR	DESCRIPTION	DATE	DWN	APVD
1	-		CI	REDRAWN AND ADDED NO HOLE VERSION	04APR2005	HY	GT



1) REDUCED INSULATION CABLE

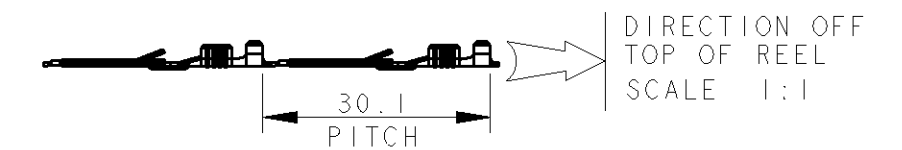
1.45-1.55 STD INS. CABLE	0.3
1.7-1.9	0.75
1.5-1.7	0.5
REDUCED INS. CABLE (Ø IS. RID. FASE 3)	WIRE RANGE [mm ²]

2) REELED ON 12" DIA CARTON REEL P/N 298011-1 WITH INTERLEAVE PAPER STRIP P/N 785370-1 (Q.TY/REEL 3.500, Q.TY/BOX 10.500).

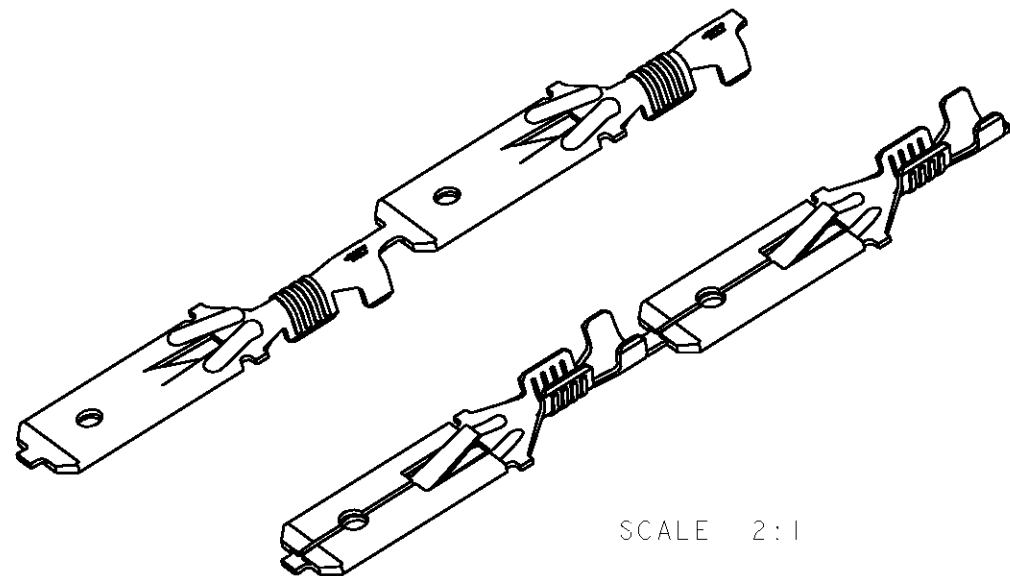
3) VERSION WITHOUT HOLE, P/N.s 1-282186-1 & 1-282186-3.



4) SUPPLY CONDITION.



NOTE	FINISH	MATERIAL	TYCO P/N	REV
3	PLAIN	BRASS	1-282186-3	C
3	PRE-TIN		1-282186-1	C
	PLAIN		0-282186-3	C
	PRE-TIN		0-282186-1	C



<small>THIS DRAWING IS A CONTROLLED DOCUMENT FOR TYCO ELECTRONICS CORPORATION IT IS SUBJECT TO CHANGE AND THE CONTROLLING ENGINEERING ORGANIZATION SHOULD BE CONTACTED FOR THE LATEST REVISION.</small>		DWN H. YAALI 04APR2005 CHK G. TURCO APVD -	tyco Electronics tyco Electronics AMP Italia S.p.A. C.so F.lli Cervi, 15 COLLEGNO (TO)
DIMENSIONS: mm	TOLERANCES UNLESS OTHERWISE SPECIFIED: 0 PLC ±- 1 PLC ±0.3 2 PLC ±- 3 PLC ±- 4 PLC ±- ANGLES ±2°	PRODUCT SPEC 108-20020 APPLICATION SPEC 114-20021 WEIGHT -	NAME FASTIN-FASTON* Connector 6.3 mm series TAB CONTACT
MATERIAL SEE TABLE	FINISH SEE TABLE	SIZE A3 CAGE CODE 00779 DRAWING NO C=282186	RESTRICTED TO -
CUSTOMER DRAWING		SCALE 4:1	SHEET 1 OF 1 REV CI