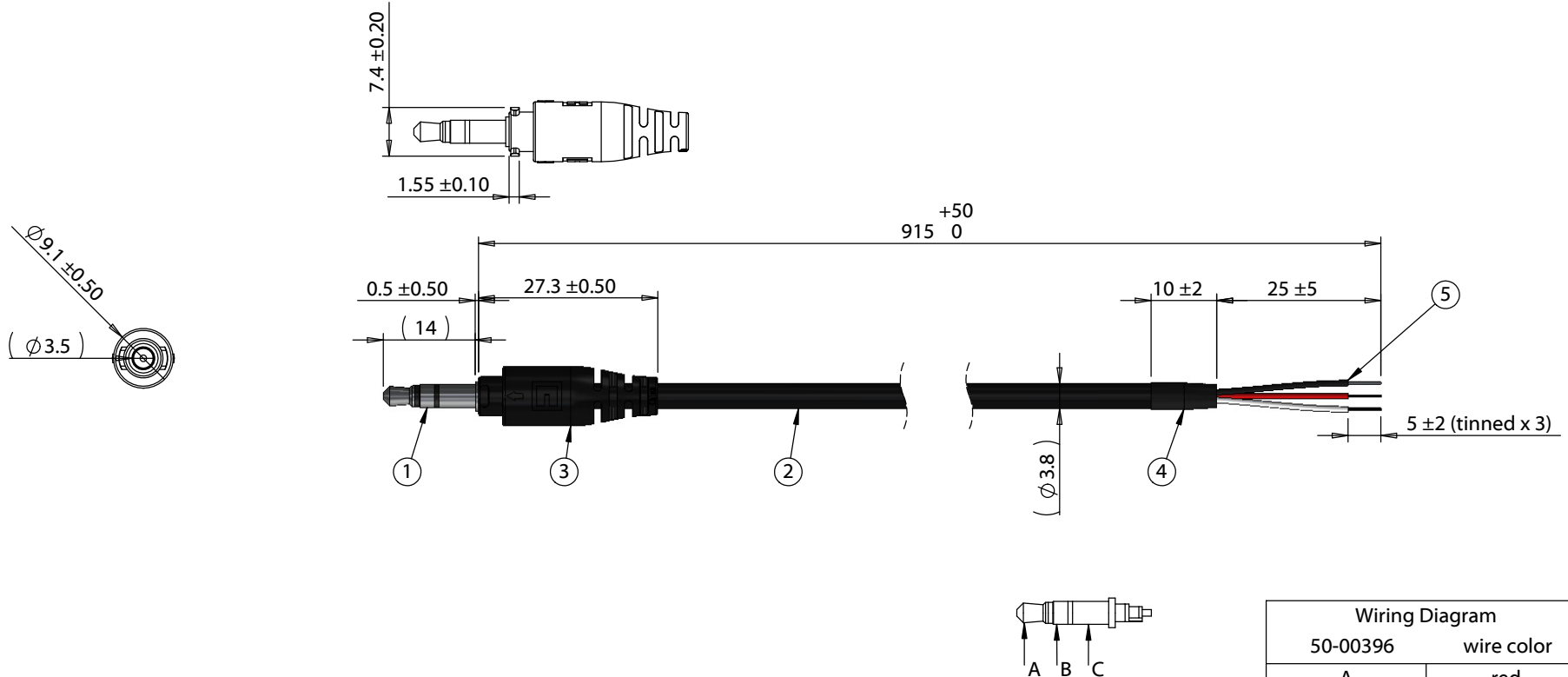




ITEM NO.	PART NUMBER	DESCRIPTION	QTY.	COMPONENT NOTES
1	50-00396	Connector, stereo plug, 3.5xL20.5 mm, brass, nickel plated, molding style	1	
2	30-00177	Wire, 2C BC, 28 AWG, 300V, 80C, 3.8 mm, foil + shield, PVC	1	
3	24-00265	Overmold, audio plug, 3.5 mm, twist lock, TIC	1	PVC, black
4	Heat Shrink	Heat shrink tubing, black	1	
5	Heat shrink	Heat shrink tubing, black	1	Covers shield wire



Notes:
 Made to mate with cable assembly: 10-03406 and 10-03411
 Functionally equivalent components may be substituted

Revision: A	Date: 9/24/2019	Description: Initial release	Prepared: AW Digitally signed by AW Date: 2019.09.24 15:16:22 -0700'	Notes: RoHS compliant	 tel 1.541.323.3228 800 877.670.7118 fax 1.541.323.4202 web tensility.com
			Verified: CH Digitally signed by CH Date: 2019.09.25 15:45:19 -0700'	Function test: no open, no short circuit, no intermittent	
			Dimensions are in millimeters. Tolerances: X: ± 0.5 mm X.X: ± 0.3 mm X.XX: ± 0.05 mm	Description: Cable, 915 mm, 3.5 mm 3C 50-00396 twist lock audio plug to 5 mm tinned, 28 AWG, 30-00177	Size: A Part number: 10-03405
					Scale: 1:1  Sheet 1 of 1

5 4 3 2 1