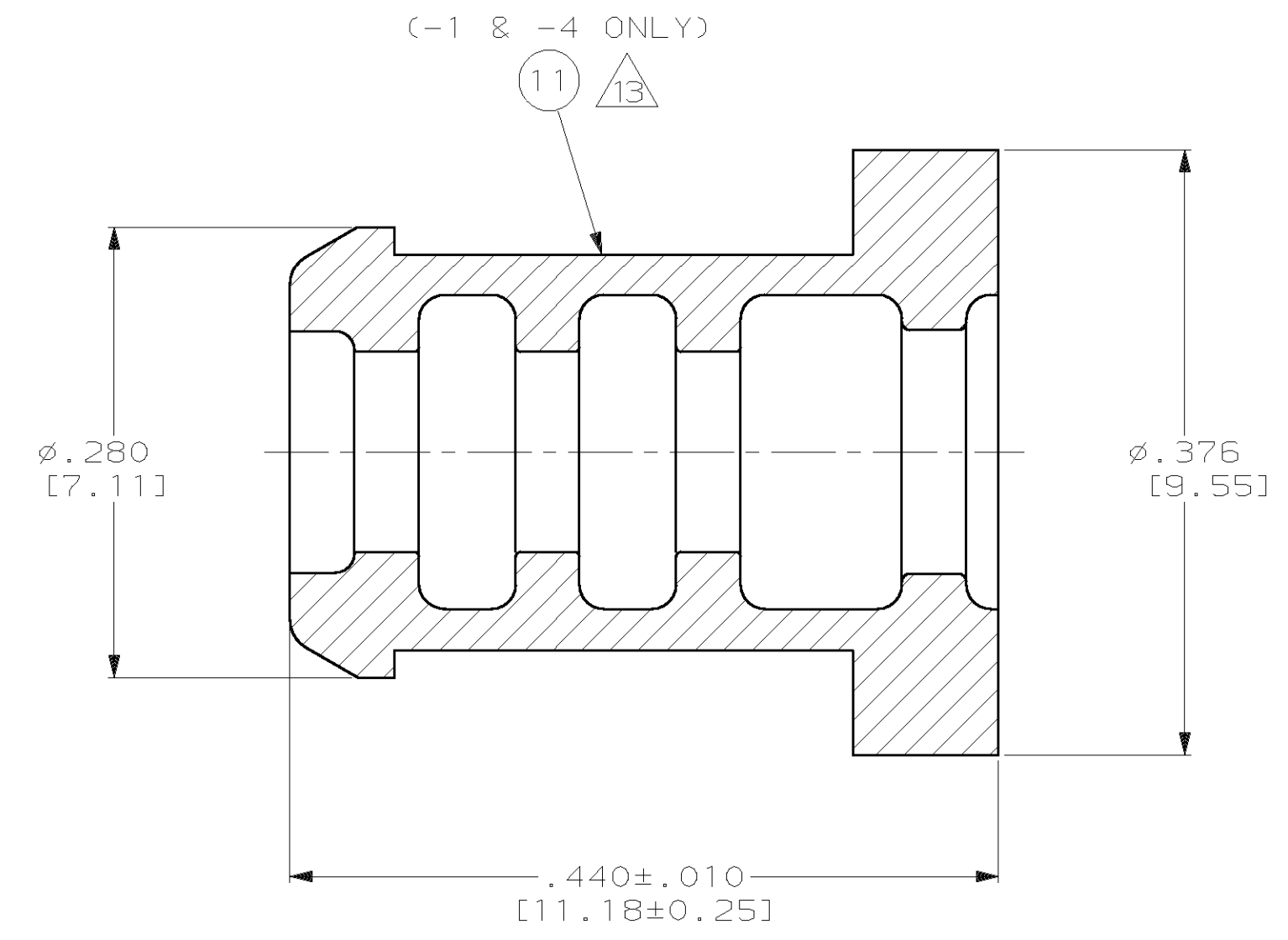
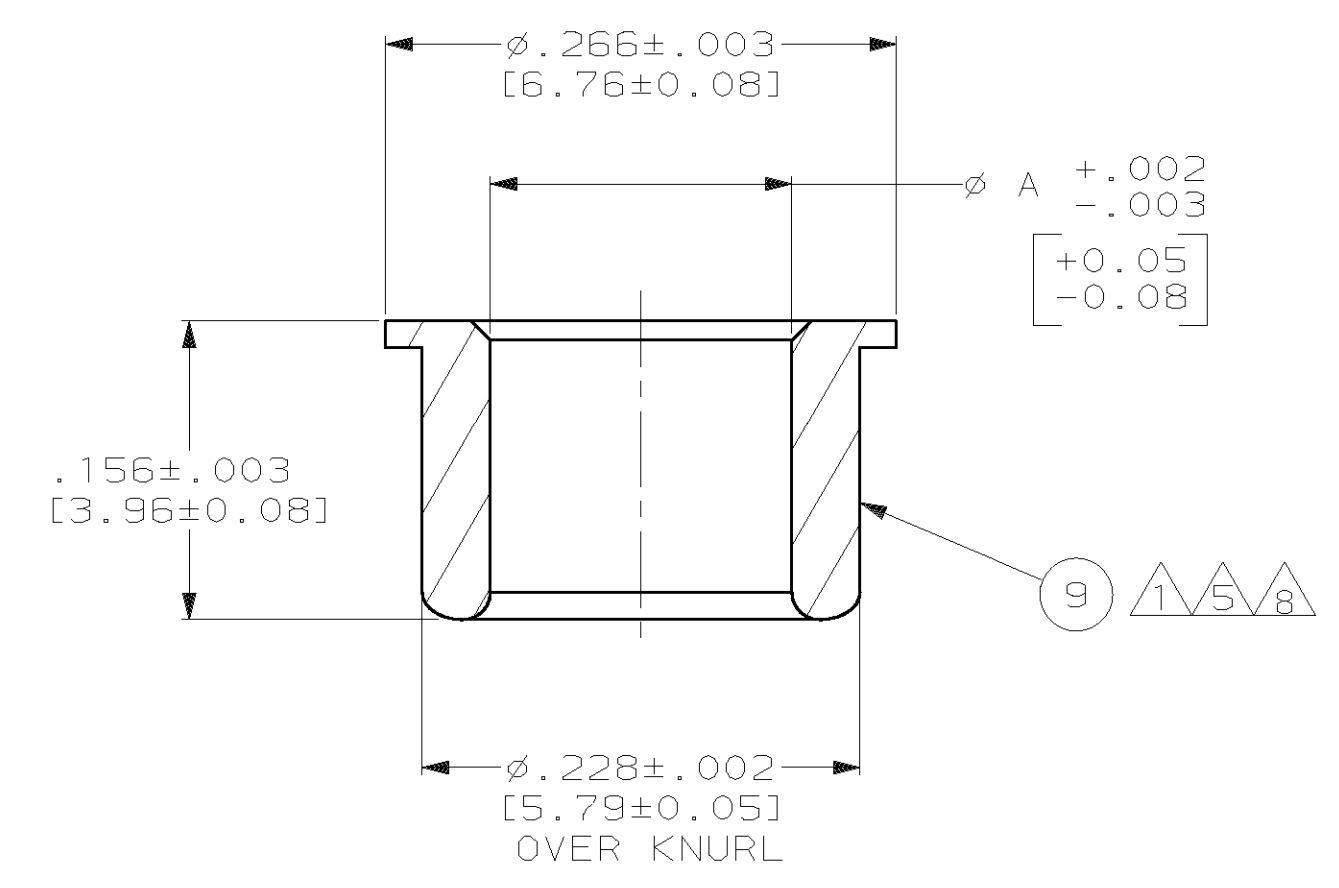
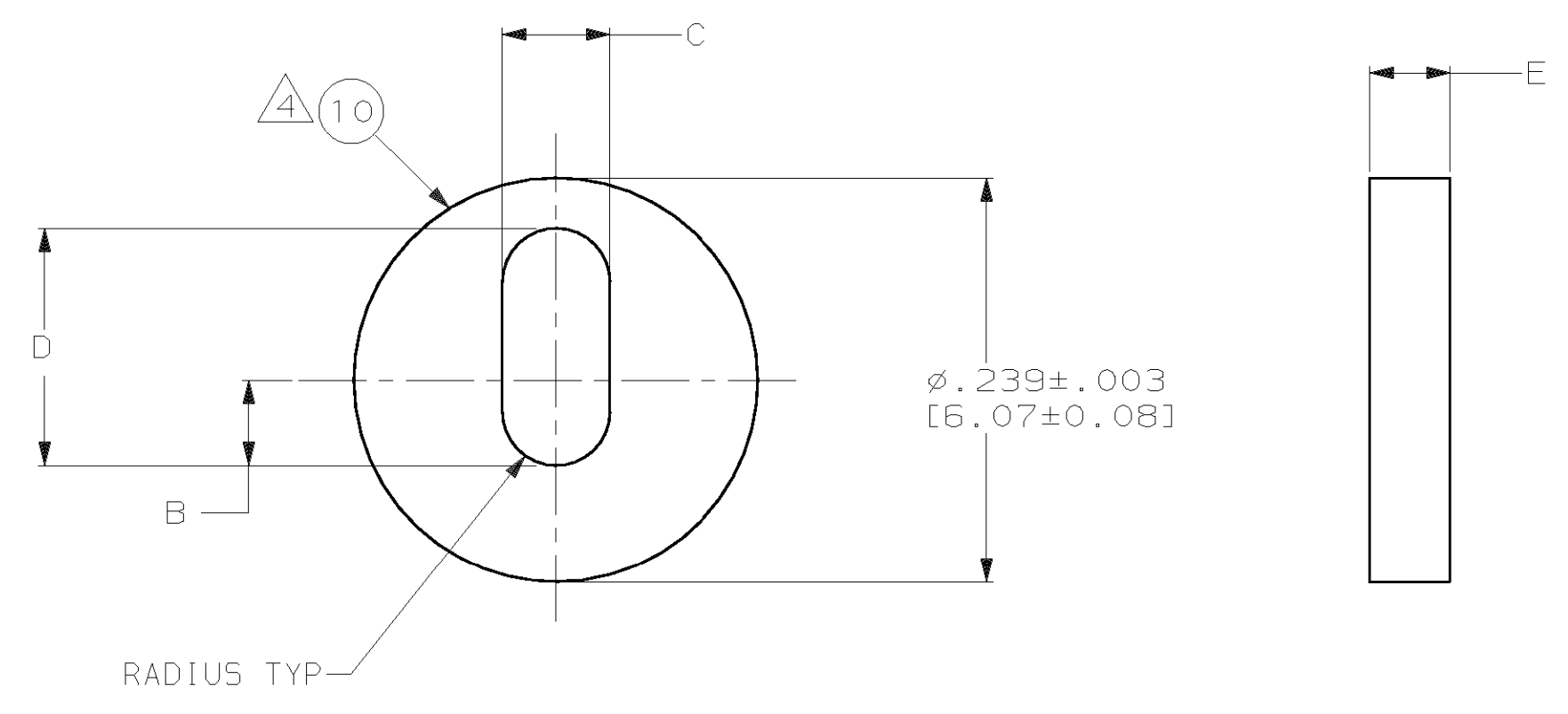
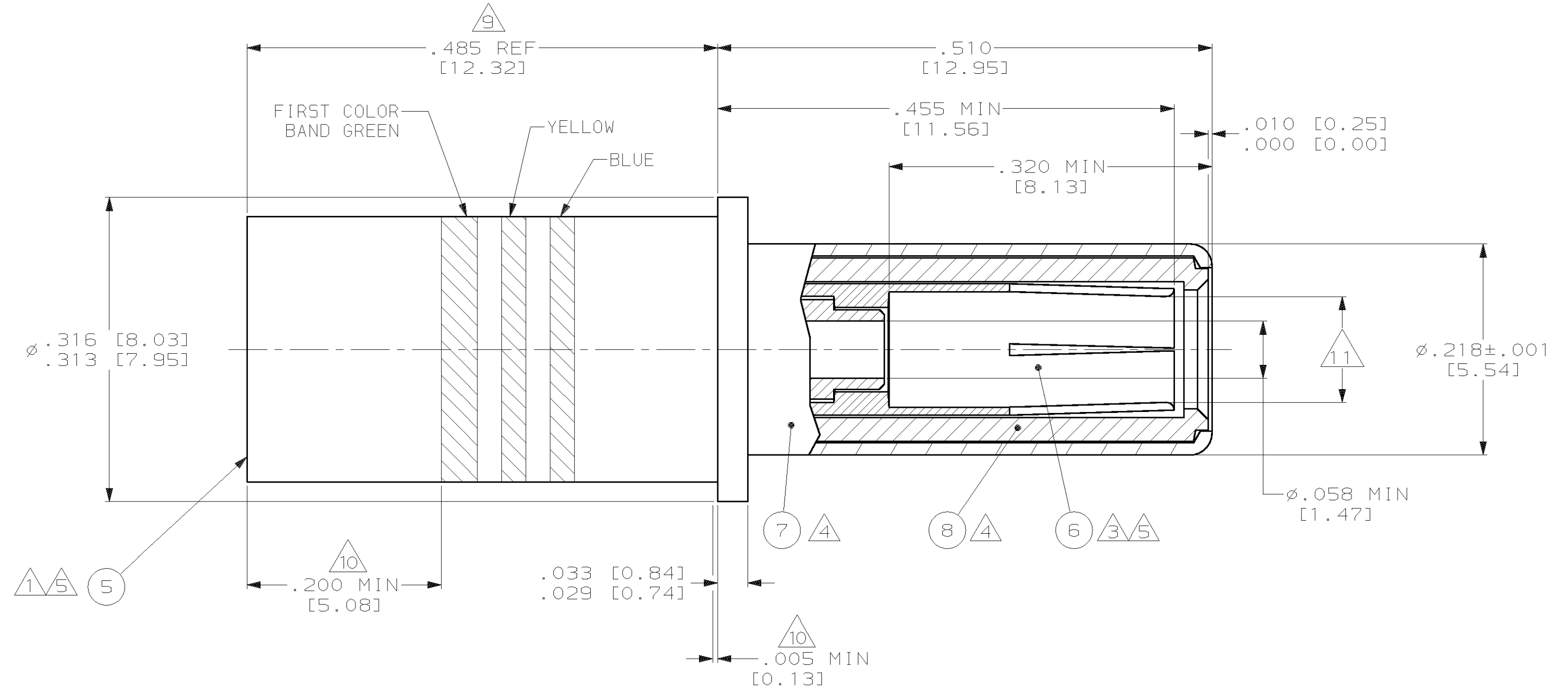
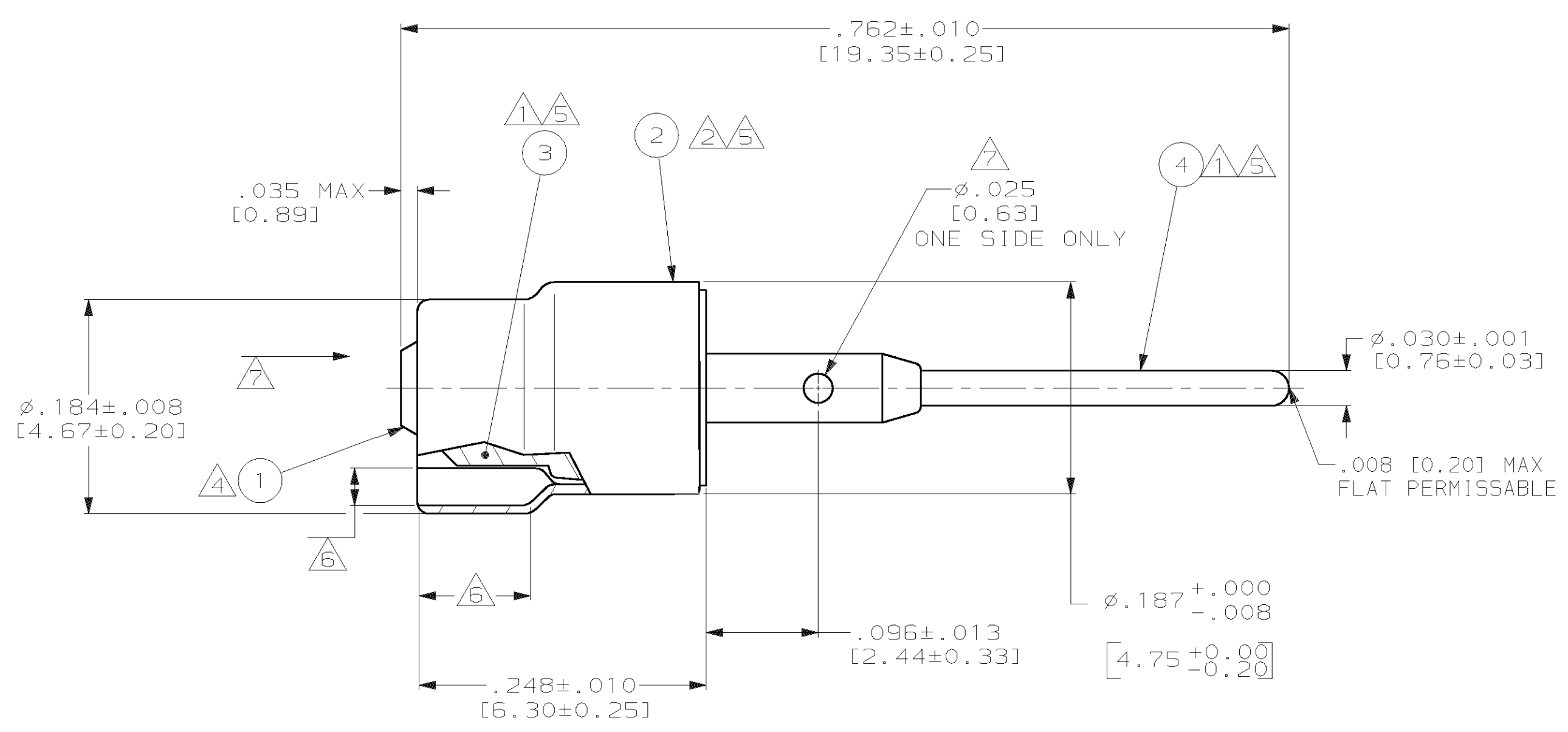


LOC	DIST	P	F	ZONE	LTR	REVISIONS	DATE	APPD
DF	X0					6 REV PER 063D-0579-00 CT	1-01	SG

PART NO	CABLE	DIM A	DIM B	DIM C	DIM D	DIM E	REMARKS
222190-1	M17-176-00002; NORTHROP 05A078-1	.143 [3.63]	.032 [0.81]	.054 [1.37]	.112 [2.84]	.047 [1.19]	12
222190-2	M17-176-00002; NORTHROP 05A078-1	.143 [3.63]	.032 [0.81]	.054 [1.37]	.112 [2.84]	.047 [1.19]	12
222190-3	TENSOLITE 24463/9P025X-2 (LD) OR TENSOLITE 24463/9B017X-2 (LD) (OBSOLETE)	.157 [3.99]	.050 [1.27]	.063 [1.60]	.140 [3.56]	.052 [1.32]	-
222190-4	M17-176-00002; NORTHROP 05A078-1	.143 [3.63]	.032 [0.81]	.054 [1.37]	.112 [2.84]	.047 [1.19]	-



- 1 MAT'L: BRASS PER ASTM-B-16
- 2 MAT'L: COPPER PER ASTM-B-152.
- 3 MAT'L: BERYLLIUM COPPER PER ASTM-B-196.
- 4 MAT'L: PTFE PER ASTM-D-1710.
- 5 FINISH: GOLD PLATE PER MIL-G-45204, TYPE 1, GRADE C, CLASS 1 OVER NICKEL .000050 [0.0013] THK PER QQ-N-290, CLASS 2.
- 6 A .0285 [0.72] GAGE PIN MUST ENTER FOR A LENGTH OF .085 [2.16] MIN.
- 7 .028 [0.71] GO - .030 [0.76] NO GO GAGE WILL ENTER TO A DEPTH OF SIGHT HOLE.
- 8 160 DP. FULL DIAMOND KNURL OVER THIS LENGTH.
- 9 .533 [13.54] MAX AFTER TERMINATION TO CABLE
- 10 BANDS COLOR CODED PER MIL-C-39029 COLOR CODE BANDS CAN BE LOCATED ANYWHERE BETWEEN THE .200 [5.08] MIN AND .005 [0.13] MIN DIMENSIONS.
- 11 MATES WITH A .113±.001 [2.87±0.03] PIN.
- 12 BAG MARKED WITH CUSTOMER P/N (05A075-1) FOR -1 & -2 ONLY.
- 13 MAT'L: FLOURSILICONE MLDG. CMPD. PER ZZ-R-765.

SEALING PLUG	11
BUSHING	10
FERRULE	9
DIELECTRIC, OUTER, FRONT	8
DIELECTRIC	7
CONTACT, INTERMEDIATE, SIZE 8	6
SHELL, OUTER, PIN	5
CONTACT, CENTER, PIN	4
SHELL, CRIMP END	3
FERRULE	2
DIELECTRIC	1
DESCRIPTION	ITEM NO

DO NOT SCALE PRINT. UNLESS SPECIFIED DIMENSIONS IN INCHES [mm] TOLERANCES ON: 2 PLC DEC ± - 3 PLC DEC ± .005 [0.13] ANGLES ± -	DR 7-26-93 C.C. THOMAS CHK 8-11-93 C. SHELLY APPD 8-11-93 C. SHELLY	AMP Incorporated Harrisburg, PA 17105-3608
MATERIAL SEE CALLOUTS	APPD 8-11-93 C.C. THOMAS	
FINISH SEE CALLOUTS	PRODUCT SPEC 108-12092 APPLICATION SPEC 114-12010	NAME PIN, SIZE 8, KIT, ARINC-TWINAX
WEIGHT -	SCALE 10:1	SIZE D CAGE CODE 00779 DRAWING NO G-222190 SHEET 1 OF 1

THIS DRAWING IS A CONTROLLED DOCUMENT FOR AMP INCORPORATED. IT IS SUBJECT TO CHANGE AND THE CONTROLLING ENGINEERING ORGANIZATION SHOULD BE CONTACTED FOR THE LATEST REVISION.