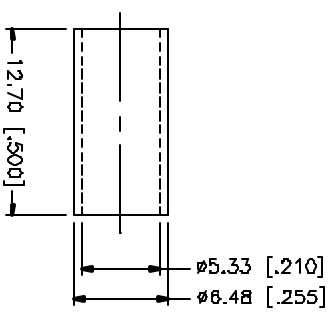
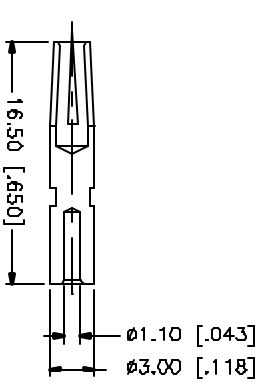
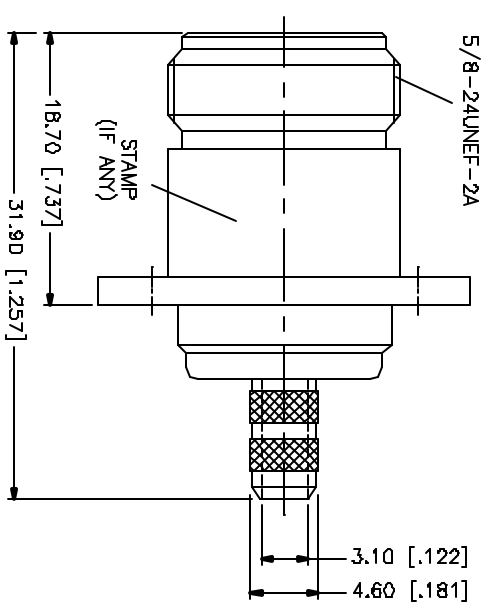
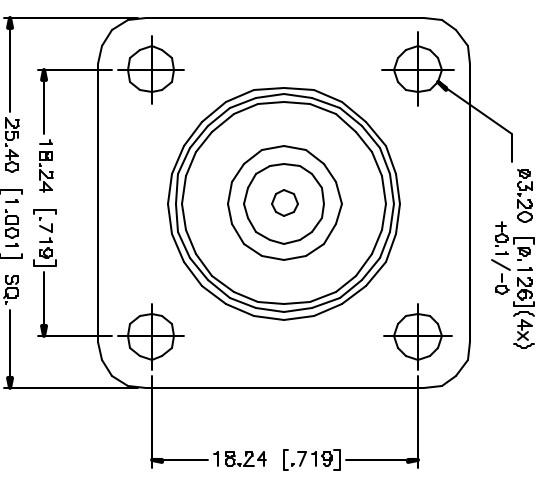
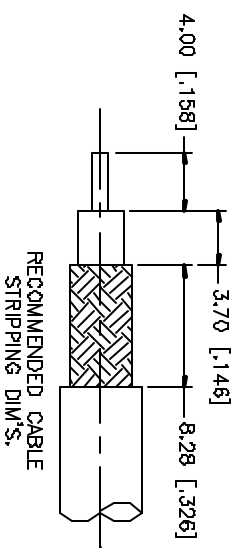


REV.	DATE	DESCRIPTION
A	11/21/03	UPDATE DRAWING FORMAT



- NOTES:
1. CRIMPED FERRULE
HEX. CRIMP SIZE .213"
 2. CRIMPED CONTACT PIN
HEX. CRIMP SIZE .100"

REV.	DATE	DESCRIPTION
B		
7		
6		
5		
4		
3		
2		
1		

QTY	FINISH	MATERIAL	DESCRIPTION
1	NATURAL	PHOS. BRONZE	FERRULE
1	NATURAL	TEFLON	INSULATOR
1	NEKXOTE	BRASS	BODY W/PANEL

APPROVALS	DATE	DESCRIPTION
DRAWN G.R.S.	11/21/03	N PANEL CRIMP JACK RGS58/U CABLE
CHECKED		
ISSUED		
SHEET 1 OF 1		

UNITED STATES GOVERNMENT SPECIFICATIONS ARE IN MILLIMETERS () ARE IN INCHES AND FOR DIMENSIONAL TOLERANCES ONLY.
UNLESS OTHERWISE SPECIFIED, TOLERANCES FOR MILLIMETERS ARE: D.5 - 4mm ± 0.20mm 5 - 30mm ± 0.40mm 30 - 120mm ± 0.50mm
UNLESS OTHERWISE SPECIFIED, TOLERANCES FOR INCHES ARE: .020 - .315 ± 0.010" .315 - 1.180 ± 0.015" 1.180 - 4.724 ± 0.020"

APP. FILE	DWG. NO.	REV.	SIZE	SCALE
C:/172/172208.DWG	172208.DWG	A	A	NA

Amphenol Connex