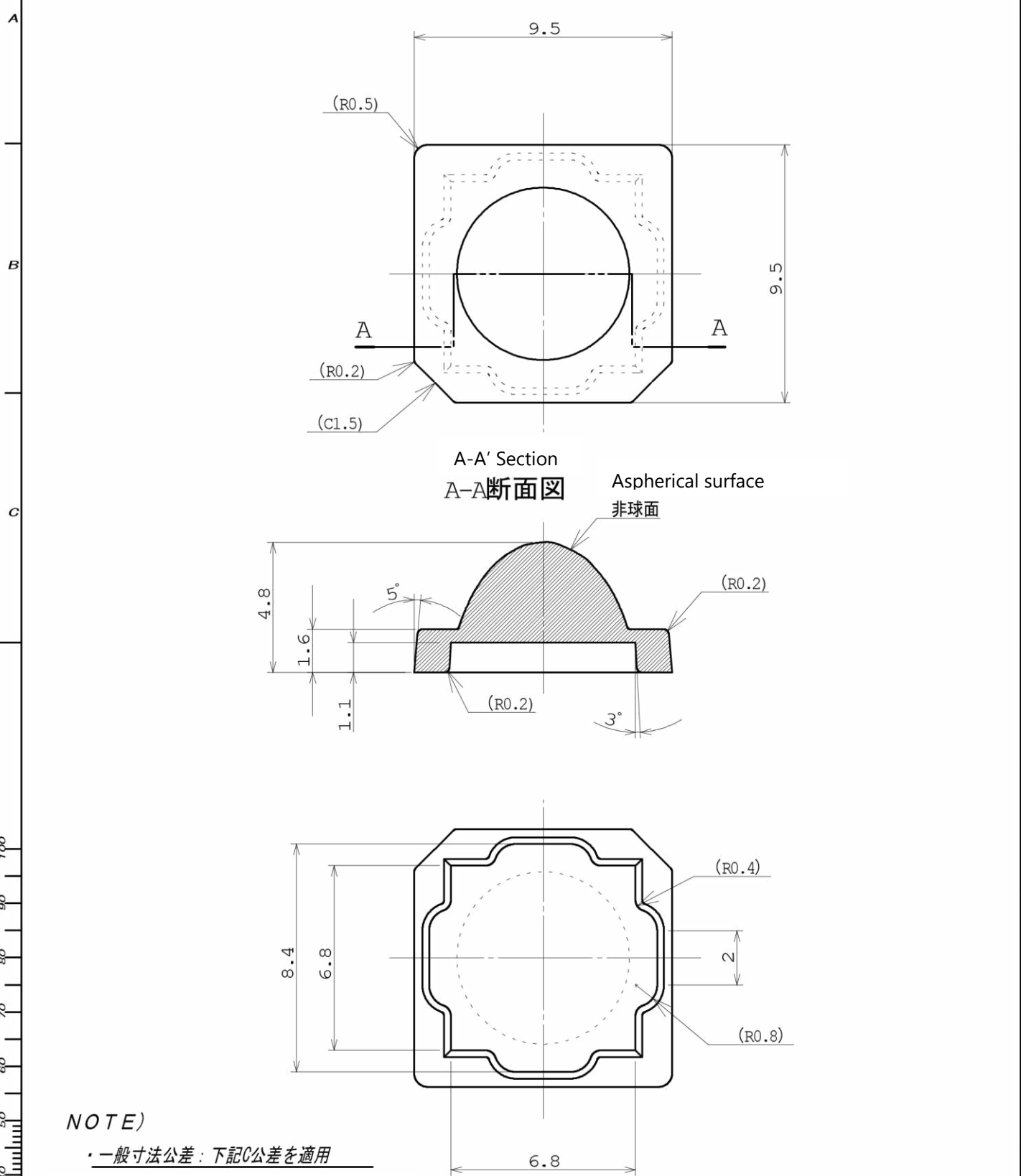


O	SPECIFICATIONS 仕様図	SURFACE TREATMENT 表面処理	SYM	DATE	REVISION	REVR	APPR
	REFERENCE 参考図	HEAT TREATMENT 熱処理	△ ¹ x				
		FINISH 仕上げ	△ ² x				



NOTE)

・一般寸法公差：下記C公差を適用

General dimensional tolerance: Range C



TOLERANCE UNLESS SPECIFIED				ORIGINAL DATE 2021/6/29		MATERIAL (COMPOUND) Silicone rubber		TITLE DK-30M-033K3		
RANGE	A	B	Ⓒ	SCALE 5:1	UNIT mm	COLOR Clear	DRAWING NO. 21062901M			
LESS THAN 6	±0.2	±0.1	±0.1	SIZE A4	3RD ANGLE SYSTEM	HARDNESS A80	DESIGN	DRAWN	CHECKED	APPROVED
OVER 6 TO 20	±0.3	±0.2	±0.1				T.Motoyanagi	T.Motoyanagi	S.Endo	E.Ishiguro
OVER 20 TO 50	±0.5	±0.3	±0.2	 株式会社朝日ラバー						
OVER 50 TO 100	±1.0	±0.5	±0.3							
OVER 100 TO 300	±2.0	±1.0	±0.5							
OVER 300 TO 500	±5.0	±2.5	±1.0							
ANGLE	±2°									

Drawing Paper for Rubber Parts

◆ASA COLOR LENS

Part number : DK-8M-033 / DK-30M-033K3

Initial Properties

1. Physical Properties

Items	Materials : ASR-A80MC
Color	Transparent
Hardness JIS Type A	A80/S±5
Total light transmittance(t=2mm)	90% and more
Refractive index (25°C) (D-line 589 nm)	1.41±0.03

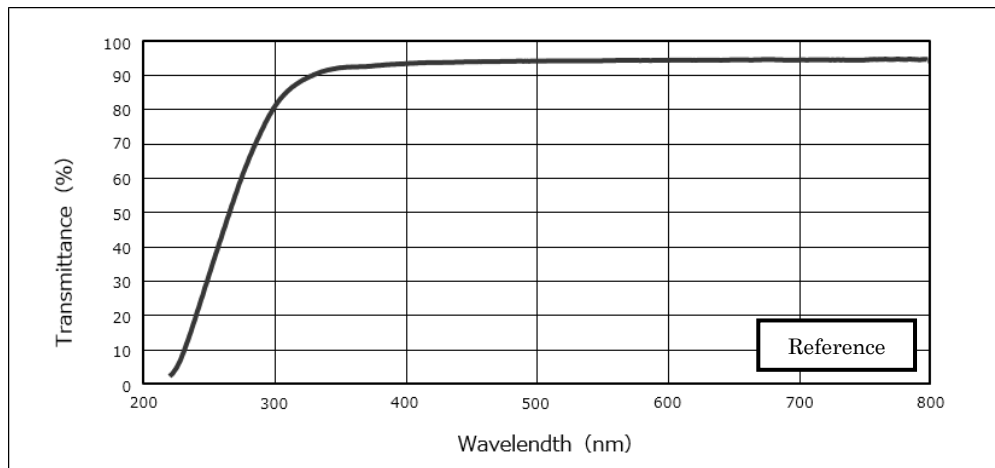


Figure1. Total light transmittance of ASR-A80MC (t=2mm)

2. Light Distribution Data

