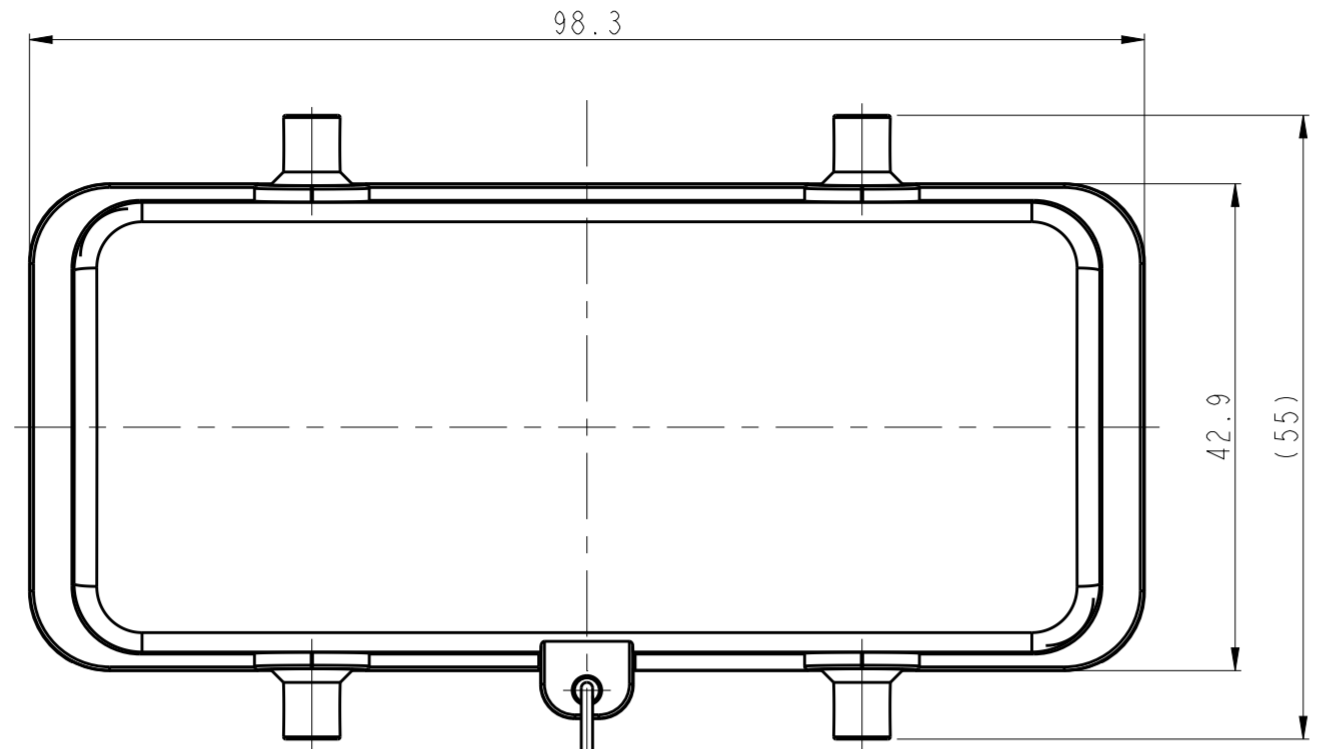
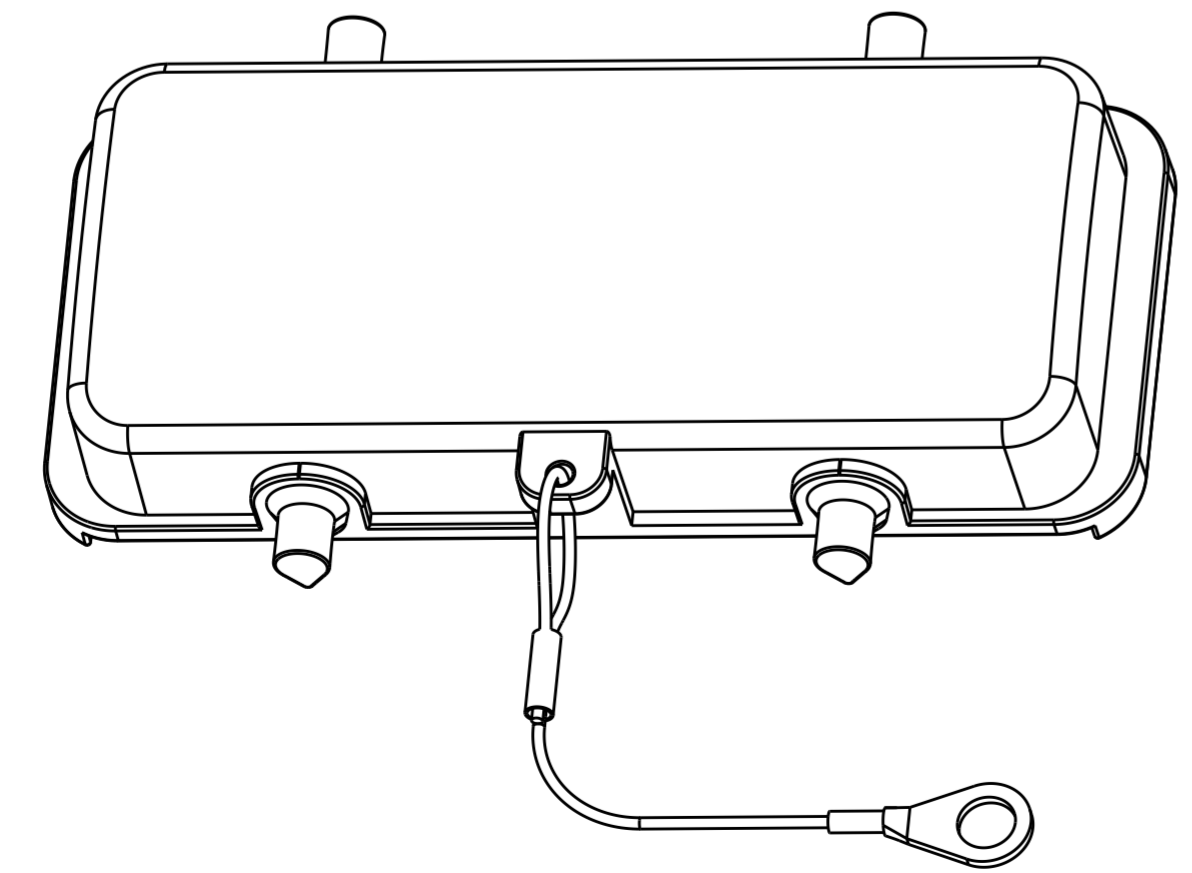
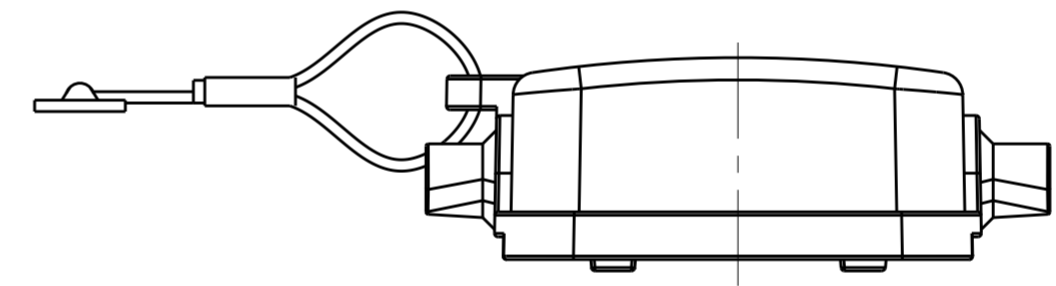
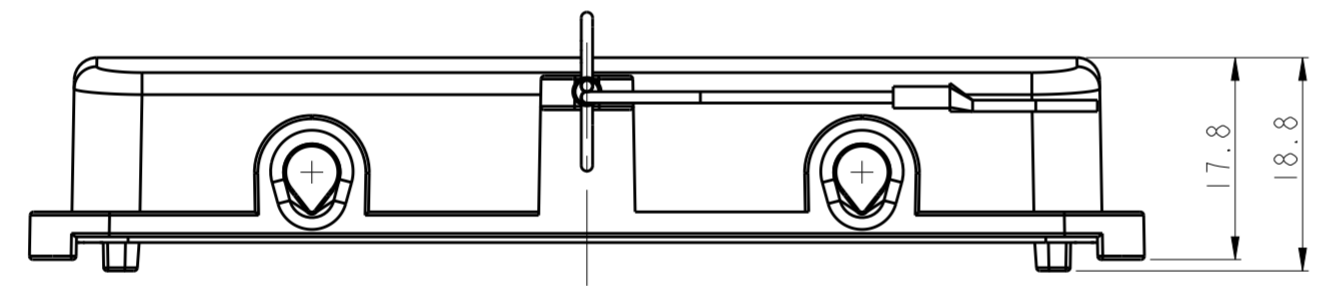
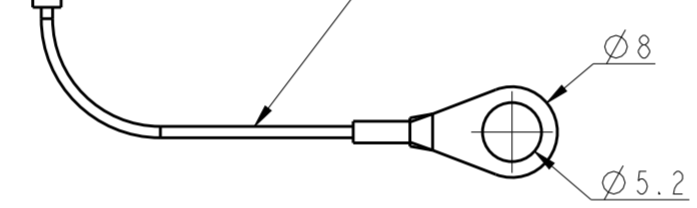


THIS DRAWING IS UNPUBLISHED. RELEASED FOR PUBLICATION  
 © COPYRIGHT copyright.d8te- ALL RIGHTS RESERVED.

REVISIONS				
P	LTR	DESCRIPTION	DATE	APVD
	A	INITIAL	17MAY2017	CH CW



TRANSPARENT NYLON ROPE:  
 TOTAL LENGTH 250±5mm, DIA. Ø1.0mm  
 透明尼龙绳: 总长250±5mm, 直径Ø1.0mm



NOTES:  
 1. TECHNICAL CHARACTERISTICS:  
 COVER MATERIAL: DIE CAST ALUMINIUM ALLOY  
 COVER SURFACE: POWDER COATED, GREY

注释:  
 1. 技术参数:  
 壳体材料: 铝合金  
 表面处理: 灰色粉末喷涂

T1010162101-000	HI6B-KDBM	HI6B HOUSING METAL PROTECTION COVER, 4 EAR, WITHOUT SEALING, NYLON ROPE, GREY HI6B下壳金属保护盖, 4耳, 不带密封, 尼龙绳, 灰色
PART NUMBER 料号	PART DESCRIPTION 描述	

THIS DRAWING IS A CONTROLLED DOCUMENT.		DWN CHARLIE HU 17MAY2017	TE Connectivity	
		CHK GINO YAO 17MAY2017		
		APVD CHRIS WANG 17MAY2017	NAME HI6B-KDBM	
DIMENSIONS: mm		TOLERANCES UNLESS OTHERWISE SPECIFIED:		PRODUCT SPEC
		0 PLC ±- 1 PLC ±- 2 PLC ±- 3 PLC ±- 4 PLC ±- ANGLES ±- FINISH -		APPLICATION SPEC
MATERIAL		WEIGHT		RESTRICTED TO
-		-		A2
-		-		SCALE 3:2 SHEET 1 OF 1 REV A
CUSTOMER DRAWING		DRAWING NO. C-T1010162101000		