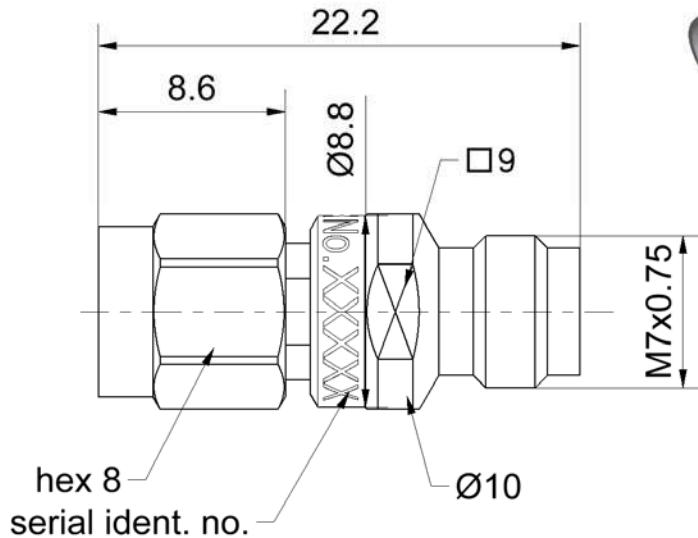


RPC-2.40

Attenuator  
RPC-2.40 Plug - RPC-2.40 Jack

**09AS102-K20S3**



All dimensions are in mm; tolerances according to ISO 2768 m-H

**Interface**

According to IEC 61169-40  
Mechanically compatible with RPC-1.85

**Documents**

N/A

**Material and plating**

**Connector parts**

- Center conductor - plug
- Center conductor - jack
- Outer conductor
- Coupling nut
- Dielectric
- Substrate

**Material**

- Beryllium copper
- Beryllium copper
- Stainless steel
- Stainless steel
- PS
- Al<sub>2</sub>O<sub>3</sub>

**Plating**

- Gold, min. 1.27 µm, over nickel
- Gold, min. 1.27 µm, over nickel
- Passivated
- Passivated

Dieses Dokument ist urheberrechtlich geschützt • This document is protected by copyright • Rosenberger Hochfrequenztechnik GmbH & Co. KG

RF\_35/05.10/6.0

# Technical Data Sheet

# Rosenberger

RPC-2.40

Attenuator  
RPC-2.40 Plug - RPC-2.40 Jack

09AS102-K20S3

## Electrical data

Impedance	50 $\Omega$
Frequency range	DC to 50 GHz
Return loss	$\geq 32$ dB, DC to 4 GHz $\geq 21$ dB, 4 GHz to 18 GHz $\geq 18$ dB, 18 GHz to 37 GHz $\geq 14$ dB, 37 GHz to 50 GHz
Attenuation	20 dB $\pm$ 0.5 dB, DC to 26.5 GHz 20 dB $\pm$ 1.5 dB, 26.5 GHz to 50 GHz
Power handling	$\leq 0.5$ W

## Mechanical data

Mating cycles	$\geq 500$
Maximum torque	1.65 Nm
Recommended torque	0.90 Nm
Gauge	0.00 mm to 0.03 mm

## Environmental data

Operating temperature range <sup>1</sup>	+20 °C to +26 °C
Storage temperature range	0 °C to +50 °C
RoHS	compliant

<sup>1</sup> Temperature range over which these specifications are valid.

## Packing

Standard	1 pce in box
Weight	6.5 g/pce

While the information has been carefully compiled to the best of our knowledge, nothing is intended as representation or warranty on our part and no statement herein shall be construed as recommendation to infringe existing patents. In the effort to improve our products, we reserve the right to make changes judged to be necessary.

Draft	Date	Approved	Date	Rev.	Engineering change number	Name	Date
Marion Striegler	11/05/12	Lars Ramtke	13/08/14	a00	13-s383	Marcel Panicke	13/08/14
Rosenberger Hochfrequenztechnik GmbH & Co. KG P.O.Box 1260 D-84526 Tittmoning Germany <a href="http://www.rosenberger.de">www.rosenberger.de</a>				Tel. : +49 8684 18-0 Fax : +49 8684 18-499 Email : <a href="mailto:info@rosenberger.de">info@rosenberger.de</a>			Page 2 / 2