

HC-B24-HCWS-PLR-BK - Protective cover



1346550

<https://www.phoenixcontact.com/us/products/1346550>

Please be informed that the data shown in this PDF document is generated from our online catalog. Please find the complete data in the user documentation. Our general terms of use for downloads are valid.



Protective cover B24, with single locking latch, protective cover material: PC, height: 26.3 mm, seal: yes

Commercial data

Item number	1346550
Packing unit	1 pc
Minimum order quantity	1 pc
Sales key	BF66
Product key	BF7AZC
GTIN	4063151660062
Weight per piece (including packing)	65.7 g
Weight per piece (excluding packing)	63.8 g
Customs tariff number	85389099
Country of origin	CN

HC-B24-HCWS-PLR-BK - Protective cover



1346550

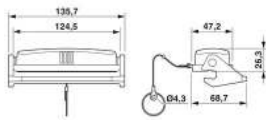
<https://www.phoenixcontact.com/us/products/1346550>

Technical data

Product properties

Type	B24
Product type	Protective cover
Housing type	Protective cover
Seal present	yes

Dimensions

Dimensional drawing	
Width	47.2 mm
Height	26.3 mm
Length	124.5 mm
Diameter	40 mm

Material specifications

Material	PC
Flammability rating according to UL 94	V0
Seal material	NBR
Material, protective cover	PC

Environmental and real-life conditions

Ambient conditions

Degree of protection	IP66
Ambient temperature (operation)	-40 °C ... 125 °C

Mounting

Assembly instructions	Double eyelet for mounting on a cable / below screw head
	Plastic protective cover for short-term protection

HC-B24-HCWS-PLR-BK - Protective cover

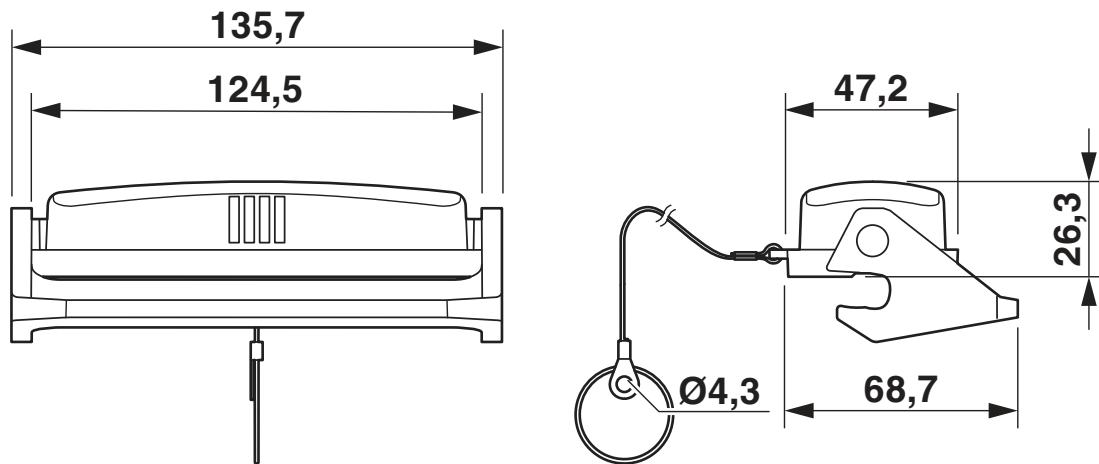


1346550

<https://www.phoenixcontact.com/us/products/1346550>

Drawings

Dimensional drawing



Dimensional drawing

HC-B24-HCWS-PLR-BK - Protective cover



1346550

<https://www.phoenixcontact.com/us/products/1346550>

Approvals

🔗 To download certificates, visit the product detail page: <https://www.phoenixcontact.com/us/products/1346550>



EAC

Approval ID: RU C-DE.BL08.B.00511

DNV

Approval ID: TAE000037S

HC-B24-HCWS-PLR-BK - Protective cover



1346550

<https://www.phoenixcontact.com/us/products/1346550>

Classifications

ECLASS

ECLASS-11.0	27440208
ECLASS-12.0	27440208
ECLASS-13.0	27440208

ETIM

ETIM 8.0	EC002314
----------	----------

UNSPSC

UNSPSC 21.0	39121400
-------------	----------

HC-B24-HCWS-PLR-BK - Protective cover



1346550

<https://www.phoenixcontact.com/us/products/1346550>

Environmental product compliance

China RoHS	Environmentally friendly use period: unlimited = EFUP-e No hazardous substances above threshold values
------------	---

Phoenix Contact 2023 © - all rights reserved
<https://www.phoenixcontact.com>

Phoenix Contact USA
586 Fulling Mill Road
Middletown, PA 17057, United States
(+717) 944-1300
info@phoenixcon.com