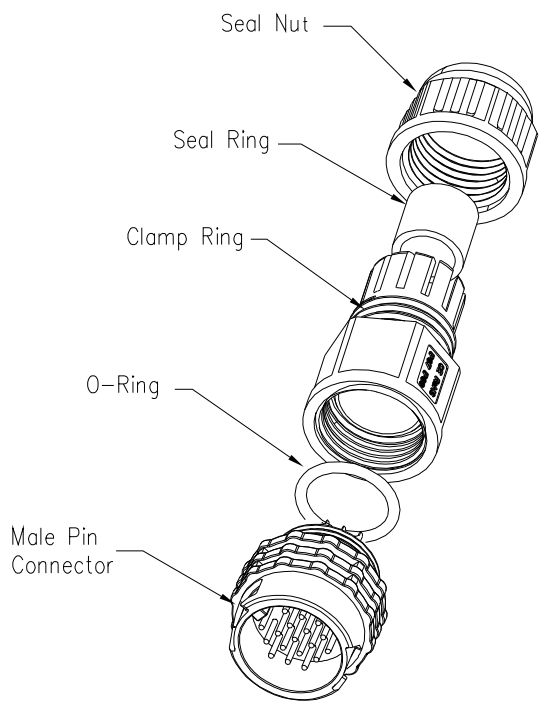
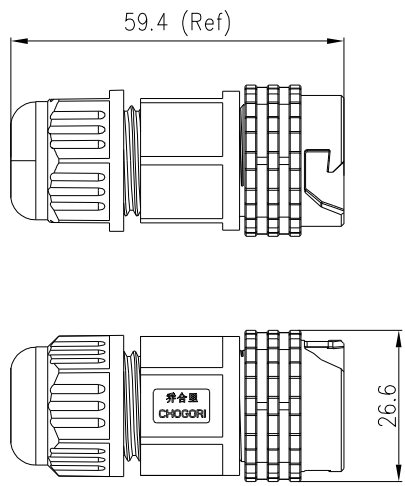


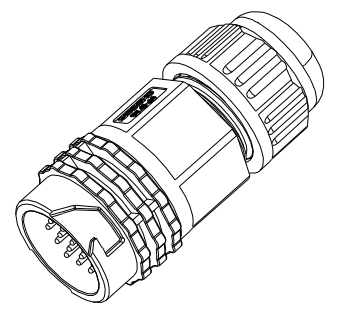
REV.	ECN NO.	DESCRIPTION	SIGN	DATE
C1	N/A	INITIAL DRAWING	Liu	2020/04/30



- Specification:
- 1.Operation Temperature: -45°C~105°C.
 - 2.Insulation Resistance:100MΩ at DC500V.
 - 3.Contact Resistance:<10mΩ
 - 4.Withstand Voltage: 1500V AC
 - 5.Operating Current:5A
 - 6.Operating Voltage:AC 125V
 - 7.Waterproof Rate:IP67 (Mated)
 - 8.Seal Nut:Nylon, Black
 - 9.Seal Ring:Silicon, Black.
 - 10.Clamp Ring:Nylon, Black
 - 11.O-Ring:Silicon, Red
 - 12.Male Pin:Copper Alloy, Gold Plated
 - 13.Connector:Nylon+GF, Black
 - 14.RoHS Compliant.
 - 15.Mating Cap:806-00059-00

24XXX331-XX Cable Range OD
 01 OD: φ5.5mm~φ6.5mm
 02 OD: φ8.0mm~φ10.5mm
 Pin Number

9 Pin	18 Pin
P/N: 24009331-0X	P/N: 24018331-0X
Pin Assignments Front View	



CHOGORI

UNIT:mm	DESCRIPTION	PART NO	DRAWN BY	DATE
TOLERANCE .X ±0.25 .XX ±0.15 .XXX ±0.05 ANGLES ±1°	Large Series Push Lock Female Plug With Male Pin	24XXX331-XX	Liu	2020/04/30
SCALE: 1:1	SHEET 1 OF 1	DWG NO	CHECKED BY	DATE
REV. C1	SIZE A4		Mo	2020/04/30
	* :Inspection Item	CUSTOMER	APPROVED BY	DATE
			Adley	2020/04/30

THIS INFORMATION IS CONFIDENTIAL AND IS DISCLOSED TO YOU ON CONDITION THAT NO FURTHER DISCLOSURE IS MADE BY YOU TO OTHER THAN CHOGORI PERSONNEL WITHOUT AUTHORIZATION FROM CHOGORI CORP.