

S - Ø0.210 BUSHING I.D.

MS - "M" - GOLD PLATED SPRINGS WITH GOLD ALLOY CONTACTS ON RING SPRINGS AND SHUNT SPRINGS (WHEN SHUNT SPRINGS ARE USED)

"S" - Ø0.210 BUSHING I.D.

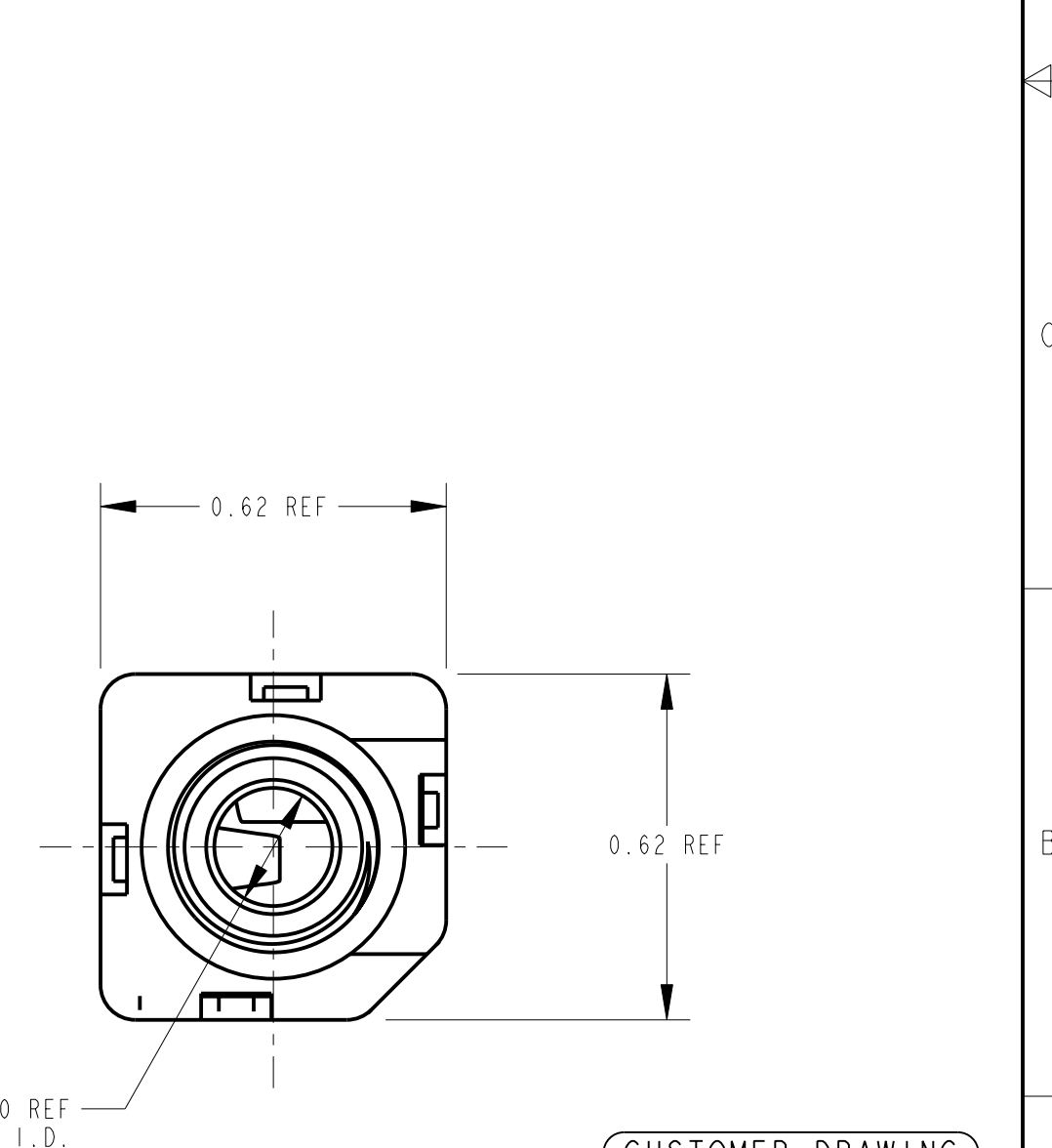
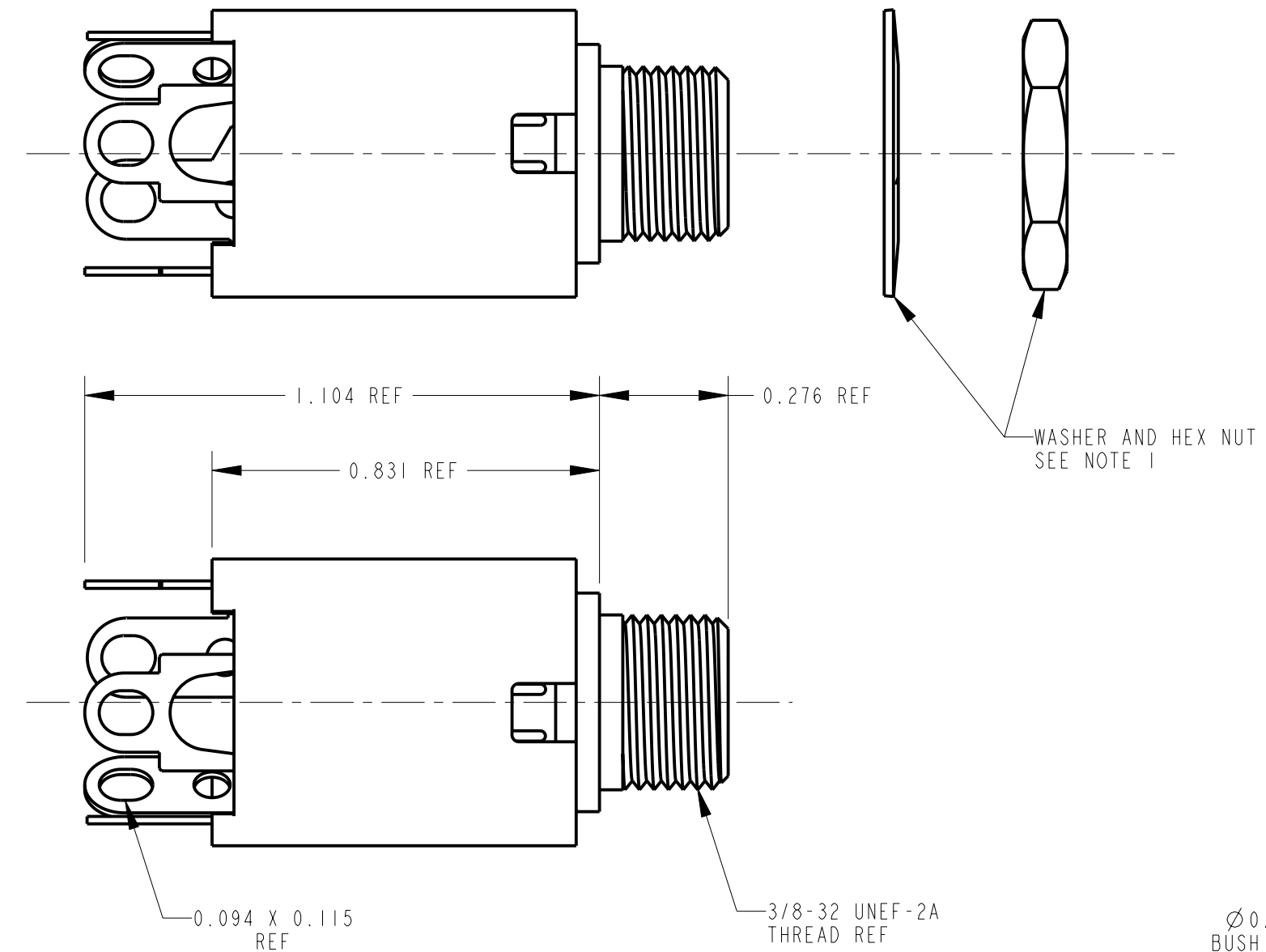
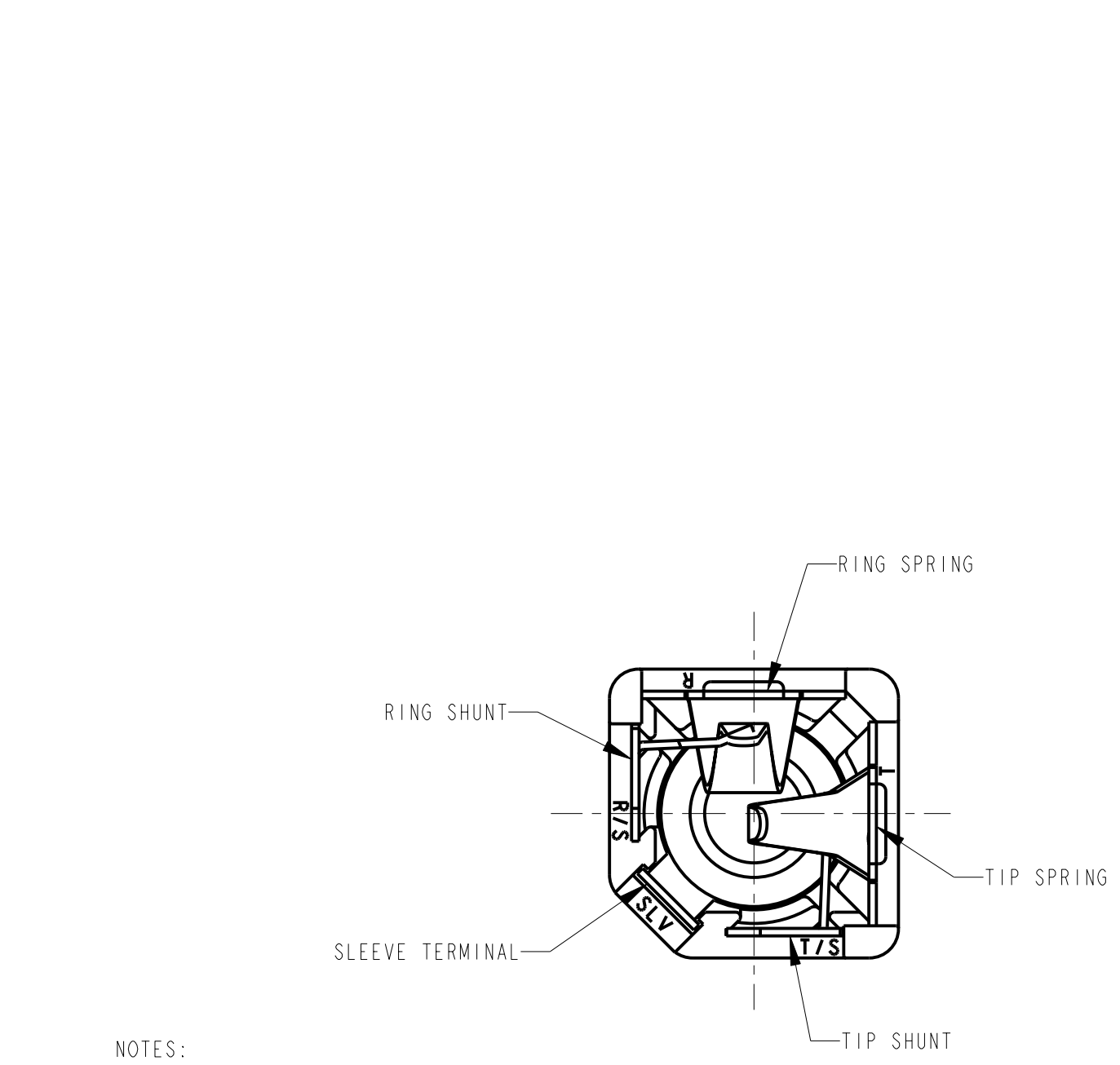
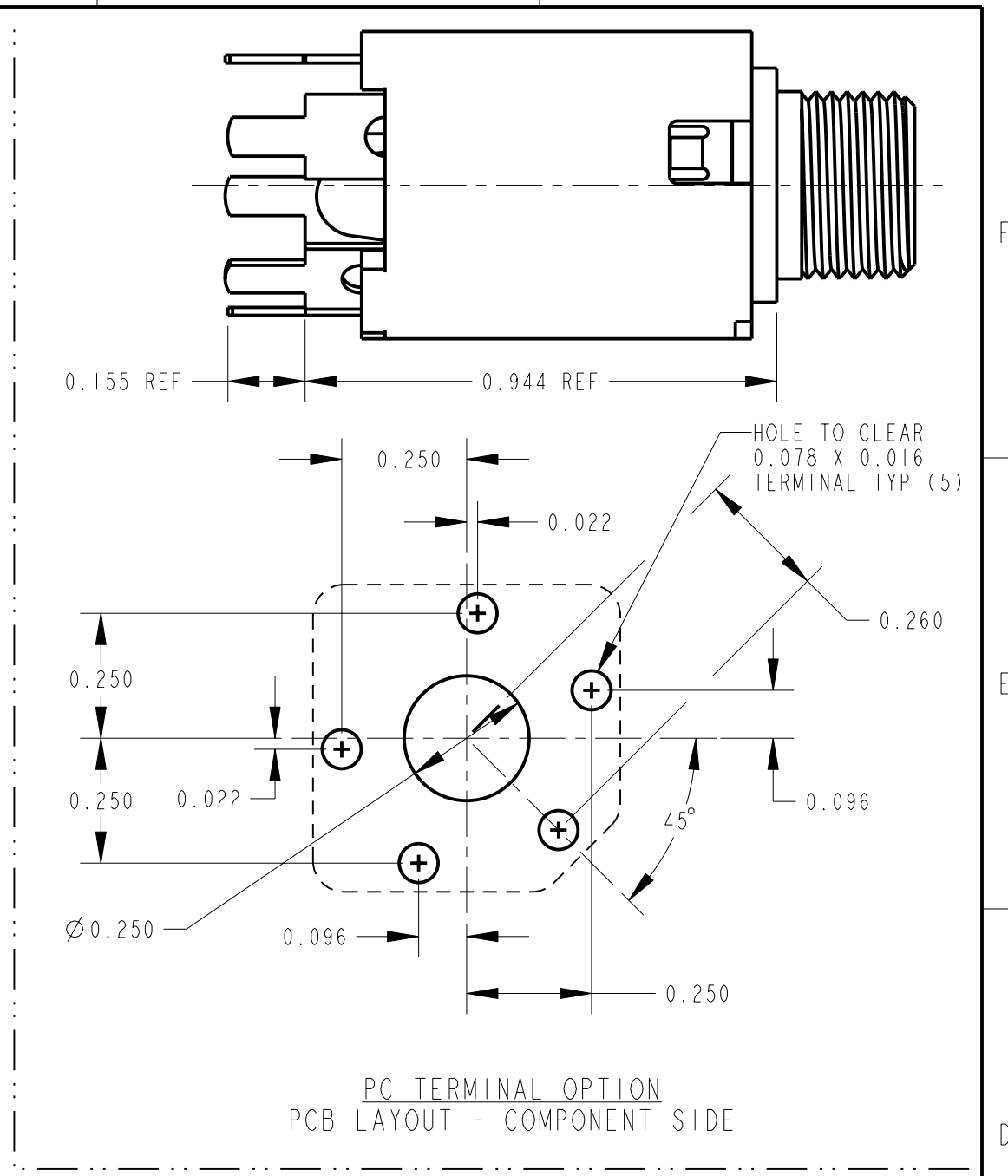
11 X

RoHS COMPLIANT

TERMINAL OPTIONS:
 BLANK - SOLDER TERMINAL
 PC - 0.078 WIDE PC TAILS
 PCS - SNAP-IN PC TAILS

CIRCUITRY:

1 - TIP OPEN CIRCUIT	
2A - TIP CLOSED CIRCUIT	
2B - TIP & RING OPEN CIRCUIT	
3 - TIP OPEN CIRCUIT AND ISOLATE "MAKE" CIRCUIT	
3B - TIP CLOSED CIRCUIT AND RING OPEN CIRCUIT (I-C TRANSFER)	
3D - 1 TIP CLOSED CIRCUIT AND 1 TIP OPEN CIRCUIT	
3E - TIP OPEN CIRCUIT AND ISOLATED "BREAK" CIRCUIT	
3F - TIP OPEN CIRCUIT AND RING CLOSED CIRCUIT	
4B - TIP & RING CLOSED CIRCUIT	



- NOTES:
- HARDWARE SHIPPED UNASSEMBLED.
 - MAXIMUM PANEL THICKNESS: 0.156
 - MATERIALS:
 HOUSING - POLYESTER GLASS FILLED, BLACK
 BUSHING - BRASS, NICKEL PLATED
 SLEEVE TERMINAL - BRASS, LEAD FREE ELECTRO-TIN PLATED
 SPRINGS - NICKEL SILVER, LEAD FREE ELECTRO-TIN PLATED
 LIFTERS - NYLON (113 & 113E CIRCUIT OPTIONS)
 WASHER - STEEL, NICKEL PLATED
 NUT - BRASS, NICKEL PLATED
 - THIS PRODUCT IS RoHS COMPLIANT.

SOLDER TERMINAL OPTION

REV	ECO NUMBER	DATE	BY	APVD
A	26032	3-25-11	TJK	TJK
REVISIONS				

★ STAR SYMBOL DENOTES CRITICAL DIMENSION

UNLESS OTHERWISE SPECIFIED

- ALL DIMENSIONS IN INCHES
 - TWO PLACE DECIMALS ±0.01
 - THREE PLACE DECIMALS ±0.005
 - ANGLES ±1°
 - ALL DIA. CONCENTRIC WITHIN 0.005 T.I.R.
- FEATURES ON THE SAME CENTERLINE MUST BE ALIGNED WITHIN ±0.002
- REMOVE ALL BURRS

DO NOT SCALE DRAWING

CUSTOMER DRAWING

SIZE	WIDTH	MULT	LBS/M	TEMPER
FINISH		MATERIAL		
SPEC No.		SPEC No.		
FIRST USED ON		SCALE		
DATE DRAWN		BY	CHKD	APVD
1-24-07		TJK	TJK	TJK
		1-24-07	1-24-07	1-24-07
NAME				PART No.
3/8-32 THREADED BUSHING				S110X SERIES
Ø0.21 I.D. HI-D JACK ASSY, RoHS				MS110X SERIES
				REV
				A

Switchcraft

SHEET | OF |