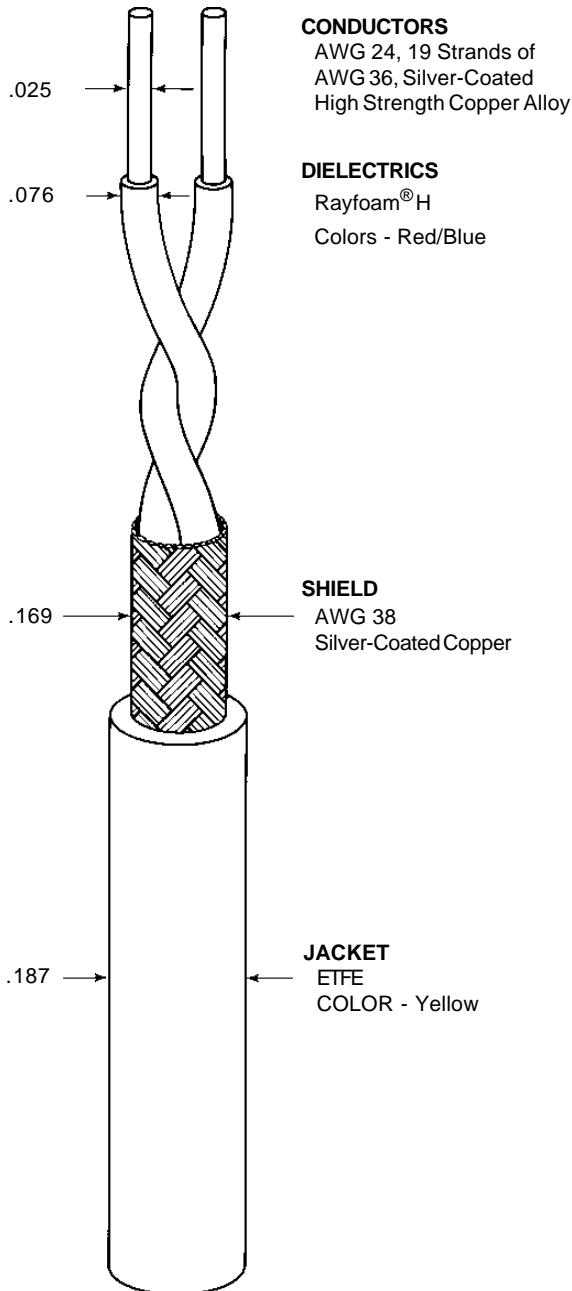


THIS SPECIFICATION SHEET FORMS A PART OF THE LATEST ISSUE OF RAYCHEM SPECIFICATION 1200.

**CONSTRUCTION DETAILS**

**ELECTRICAL CHARACTERISTICS**

DIMENSIONS ARE NOMINAL VALUES IN INCHES UNLESS OTHERWISE DESIGNATED.



|                          |                                   |
|--------------------------|-----------------------------------|
| CHARACTERISTIC IMPEDANCE | 125 ± 10 ohms, Method D at 10 MHz |
| CAPACITANCE - MUTUAL     | 12.0 pF/ft. (nominal)             |
| VELOCITY OF PROPAGATION  | 77% (nominal)                     |
| ATTENUATION              | 2.0 dB/100 ft. at 10 MHz          |

**ADDITIONAL REQUIREMENTS**

**ELECTRICAL**

|                                |                                       |
|--------------------------------|---------------------------------------|
| CONDUCTOR RESISTANCE           | 26.5 ohms/1000 ft. (nominal)          |
| INSULATION RESISTANCE          | 10,000 megohms (minimum) for 1000 ft. |
| JACKET FLAWS                   |                                       |
| SPARK TEST                     | 1.0 kV (rms)                          |
| IMPULSE TEST                   | 6.0 kV (peak)                         |
| VOLTAGE WITHSTAND (DIELECTRIC) | 1000 volts (minimum)                  |

**ENVIRONMENTAL**

|  |                               |
|--|-------------------------------|
| FLAMMABILITY                           | Method B                      |
| HEAT SHOCK                             | 225°C                         |
| LOW TEMPERATURE-<br>COLD BEND          | -55°C/5.00 inch mandrel       |
| VOLTAGE WITHSTAND (POST ENVIRONMENTAL) | 1000 volts (rms) for 1 minute |

**PHYSICAL**

|  |                                    |
|--|------------------------------------|
| INSULATION (DIELECTRIC) (Prior to Cabling) |                                    |
| ELONGATION                                 | 50% (minimum)                      |
| TENSILE STRENGTH                           | 600 lbf/in <sup>2</sup> (minimum)  |
| JACKET                                     |                                    |
| ELONGATION                                 | 150% (minimum)                     |
| TENSILE STRENGTH                           | 5000 lbf/in <sup>2</sup> (minimum) |
| JACKET THICKNESS                           | .009 inch (nominal)                |
| SHIELD COVERAGE                            | 90% (minimum)                      |

Place marker tape under jacket and mark in 12 inch (nominal) intervals as follows:  
" 2524N0524 06090 "

|        |                             |
|--------|-----------------------------|
| WEIGHT | 19.4 lbs/1000 ft. (nominal) |
|--------|-----------------------------|

Other codes and suffixes may be added to the part number, as necessary, to capture any additional requirements imposed by the purchase order.

Users should evaluate the suitability of this product for their application. Specifications are subject to change without notice. Tyco Electronics also reserves the right to make changes in materials or processing, which do not affect compliance with any specification, without notification to Buyer.