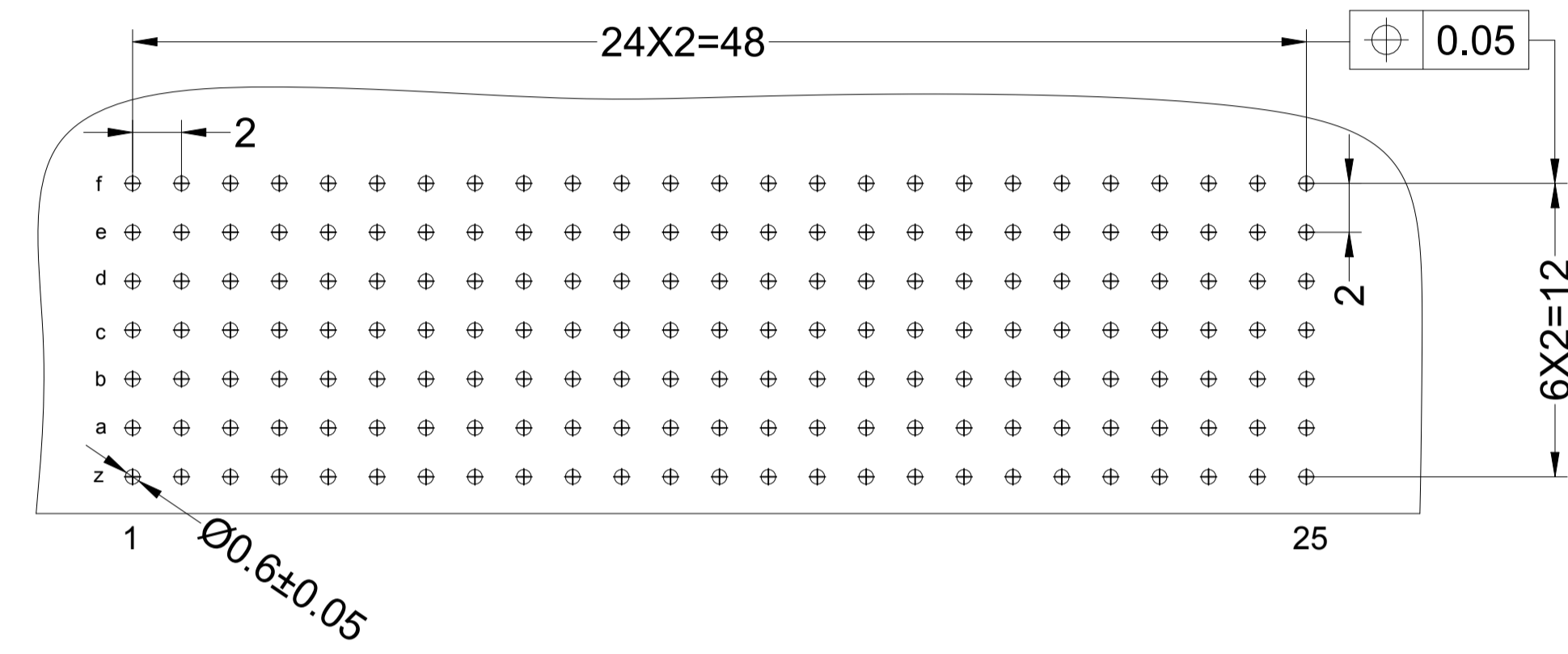
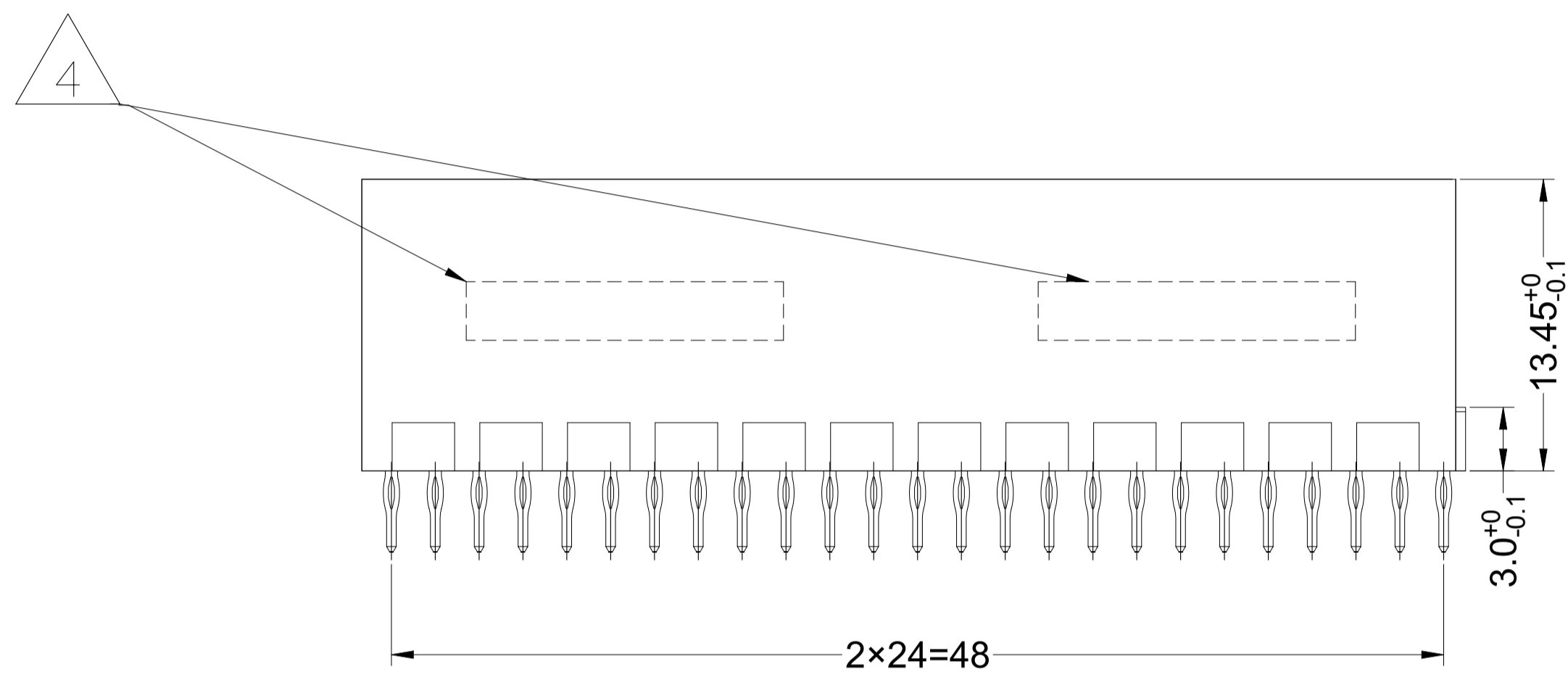
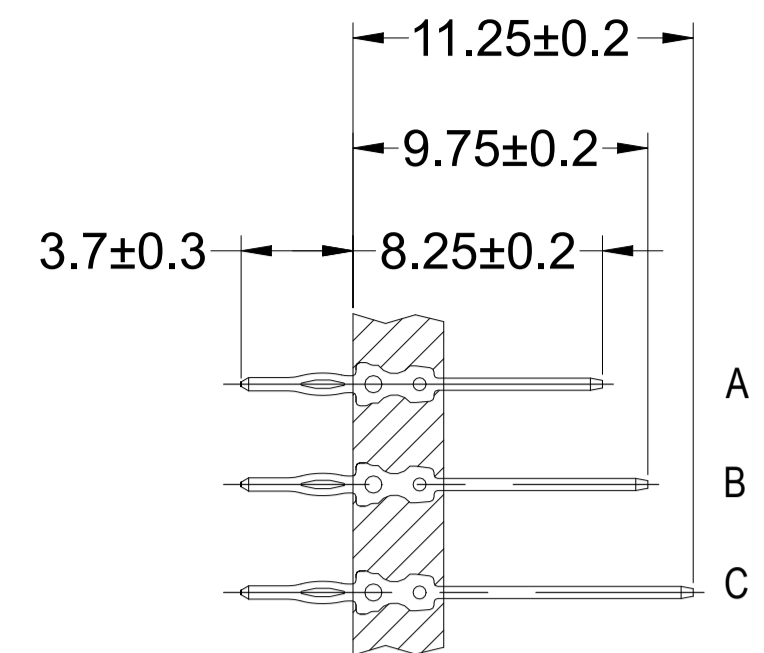
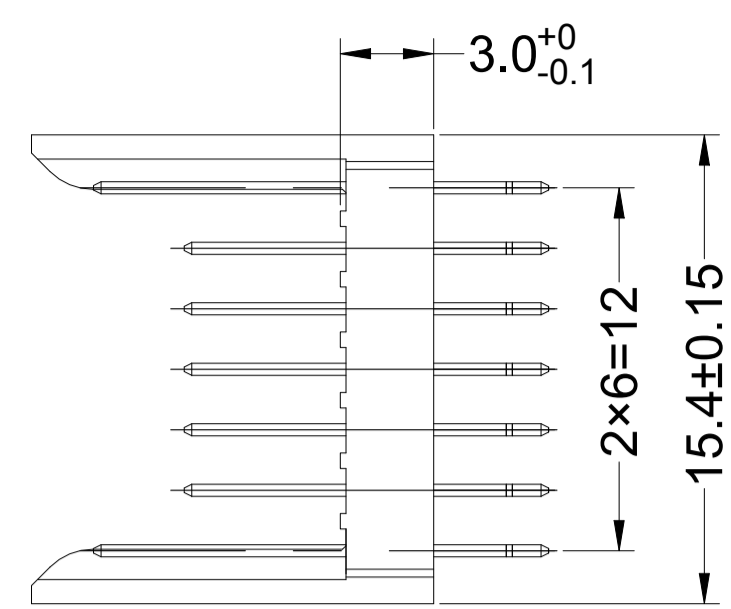
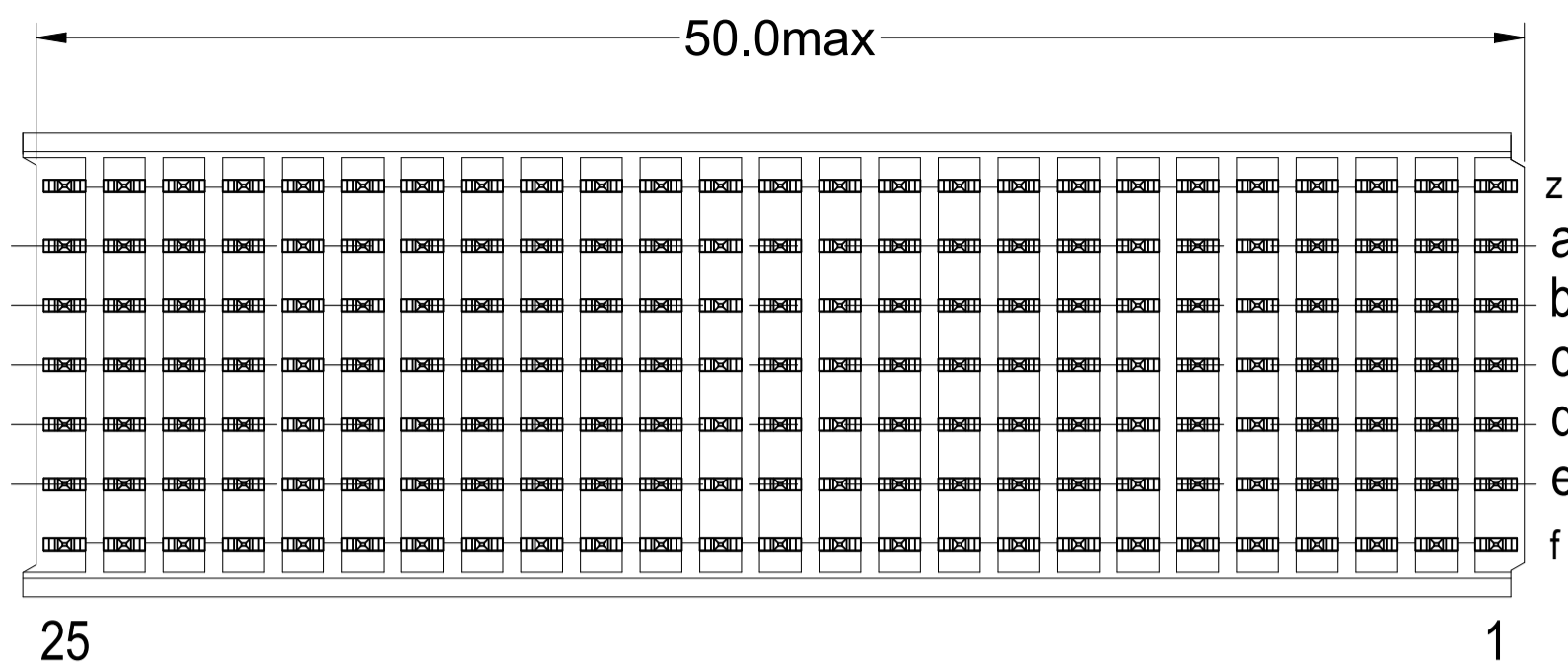
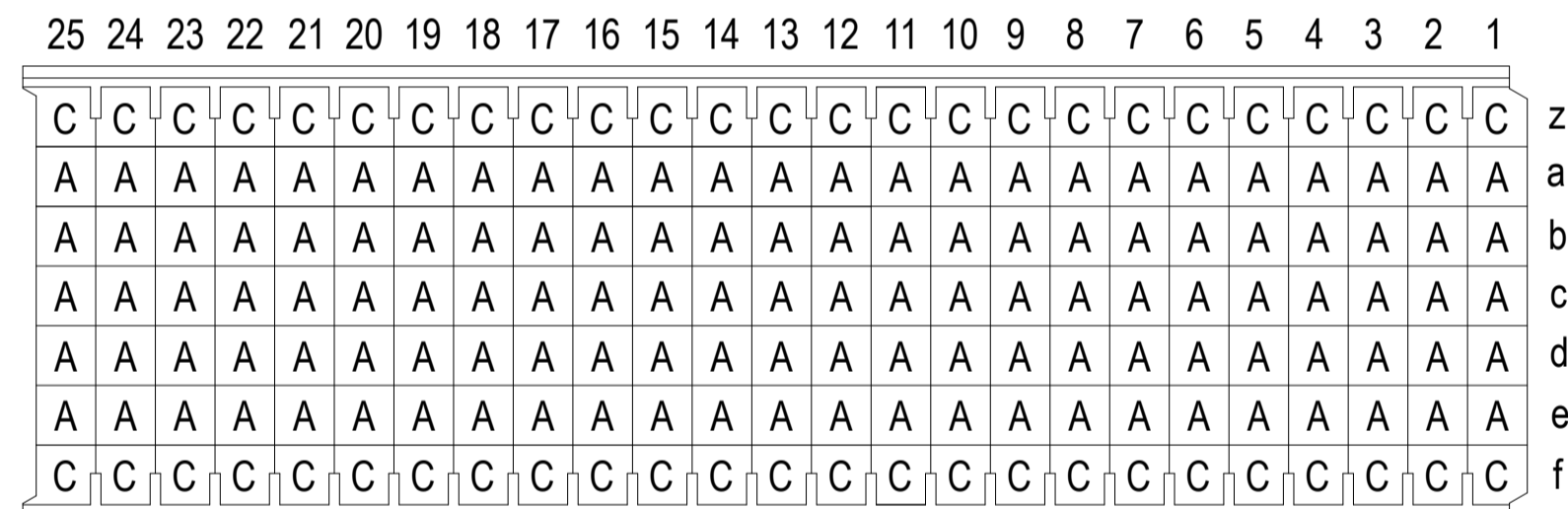


REVISIONS				
REV	DATE	DESCRIPTION	BY	APP'D
A	18OCT2021	INITIAL DRAWING	TL	HL



RECOMMEND PCB-HOLE LAYOUT
COMPONENT SIDE SHOWN
TOLERANCE ±0.05



- 1 MATERIAL:
CONTACT: COPPER ALLOY.
HOUSING: GLASS-FILLED POLYESTER.
- 2 GENERAL PLATING SPECIFICATION: UNDERPLATING
(ENTIRE CONTACT): 1.27µm MIN NICKEL AND ACTION
PIN: 0.5µm MIN TIN.
FOR PLATING OF MATING SURFACES SEE APPLICABLE
SPECIFICATION REFERENCE FOR EACH DASH NUMBER.
- 3 CONFORMS TO ALL TESTING ACCORDING TO IEC 61076-4-101
PERFORMANCE LEVEL 2.
- 4 CONNECTOR MARKED WITH PART NUMBER AND DATE CODE.

2/3	2391877-1
FINISH	PART NUMBER

THIS DRAWING IS A CONTROLLED DOCUMENT.		DIN TONY LI 27MAY2021		TE Connectivity Ltd.	
DIMENSIONS: mm		CHK ALEX XU 27MAY2021			
TOLERANCES UNLESS OTHERWISE SPECIFIED:		APVD HOPE LU 27MAY2021		NAME MALE ASSEMBLY, Z-PACK 2mm HM, 175P TYPE B EON	
0-PLC ±		PRODUCT SPEC 108-19082		SIZE CAGE CODE DRAWING NO. RESTRICTED TO	
1-PLC ±0.2		APPLICATION SPEC 114-160149		A1 00779 C=2391877	
2-PLC ±		WEIGHT 0		SCALE 4:1 SHEET 1 of 1 REV A	
3-PLC ±		CUSTOMER DRAWING			
4-PLC ±					
ANGLES ±					
MATERIAL 1		SEE TABLE			