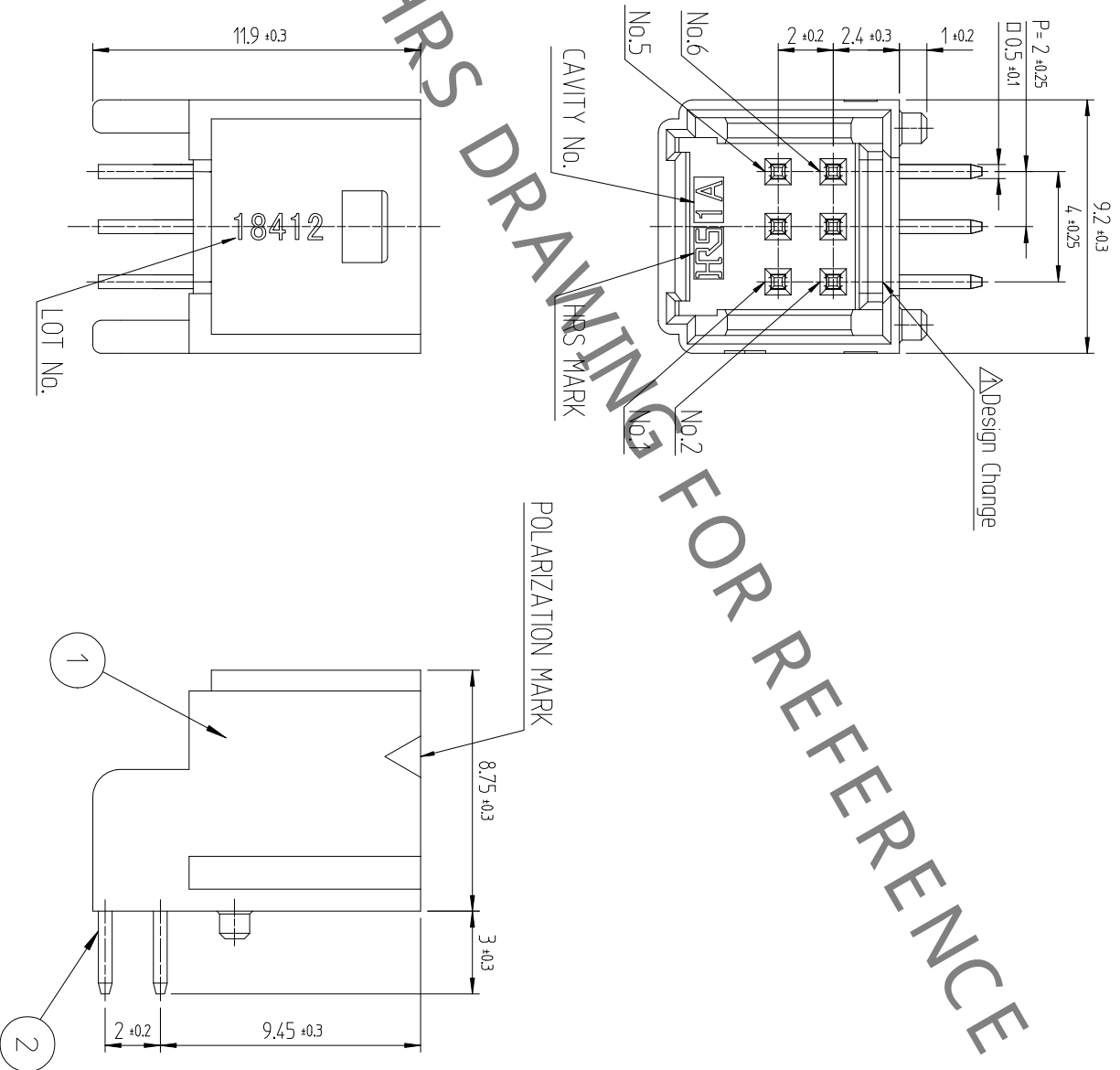
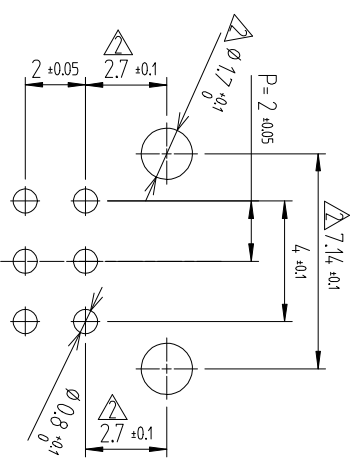
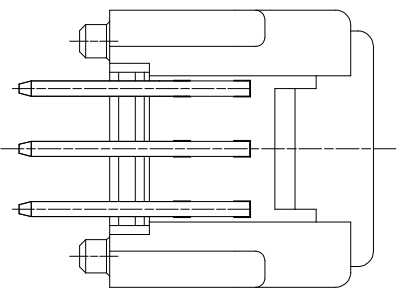
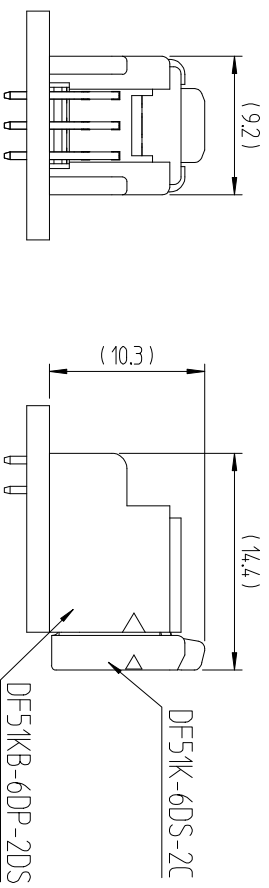


△數	訂正事項	檢圖	年月日	△數	訂正事項	檢圖	年月日
COUNT	DESCRIPTION OF REVISIONS	CHKD	DATE	COUNT	DESCRIPTION OF REVISIONS	CHKD	DATE
1	RE-6-1150	K.I.Y	18. 07. 04				
2	RE-6-1485	K.Y.H	19. 06. 19				
3	RE-6-1579	K.I.Y	20. 01. 23				

RECOMMENDED LAND PATTERN (FREE)
 (PCB THICKNESS t=1.6mm)



ENGAGEMENT FIGURE (2:1)



NOTE 1. 1PACK CONTAINS 330PCS.

1. DIMENSIONS ARE ONLY REFERENCE.
2. UL (File No. E132750) AUTHORIZATION ARTICLE.
3. UL (File No. E132750) AUTHORIZATION ARTICLE.



NO. 1	PBT	UL94V-0, BLACK	NO. 2	BRASS	GOLD PLATING 0.1μm MIN, OVER NICKEL 0.5μm MIN
MATERIAL		FINISH/REMARKS	MATERIAL		FINISH/REMARKS
DRAWN		CHOI (18.03.02) J.S	DESIGNED		CHOI (18.03.02) J.S
CHECKED		LIM (18.03.02) S.M	APPROVED		KANG (18.03.02) T.S
RELEASED		ENG (20.02.12) DEPT	RELEASED		
DRAWING NO.		EDC3-632588	PART NO.		
SCALE		4:1	CODE NO		
UNITS		mm	CL 6652-0057-6-805		
DRAFTER		HRS HIROSE KOREA CO.,LTD.	1/1		