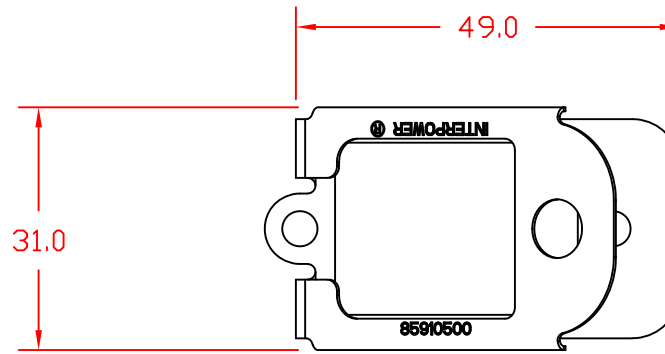
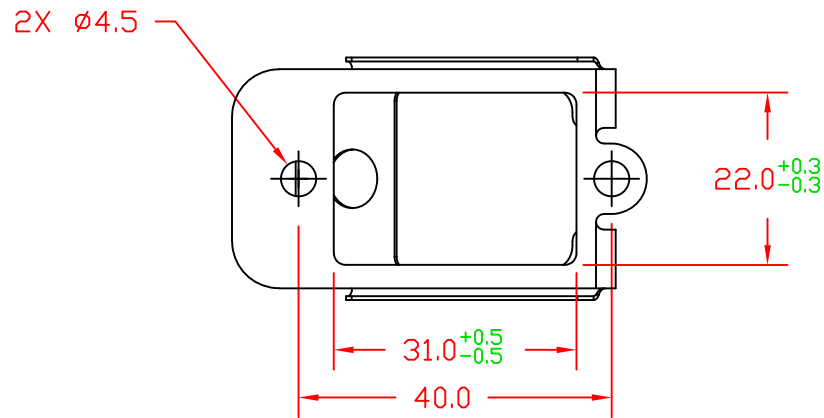
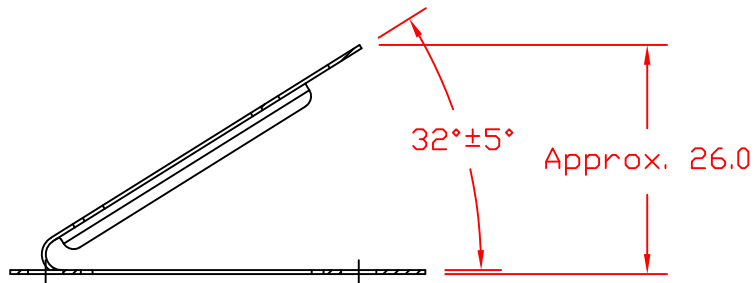


Black E-coated  
Stainless Steel



Top View



Bottom View

THIS DOCUMENT AND ITS CONTENTS ARE THE PROPRIETARY CONFIDENTIAL  
PROPERTY OF INTERPOWER CORPORATION. NO USE OR COPIES  
MAY BE MADE WITHOUT WRITTEN PERMISSION FROM INTERPOWER CORPORATION.

DIMENSIONS IN MILLIMETERS

TITLE: Connector Lock for  
C13/C14 Combinations

DRAFT BY: LCS DATE: 10/04/17

PART  
NUMBER: 85910500

DRAFTING  
APPROVAL: DDF DATE: 10/31/17

MATERIAL: Black E-coated  
Stainless Steel

DO NOT SCALE  
SHEET 1 OF 1

INTERPOWER  
CORPORATION

REV	CHANGE DESCRIPTION	DATE	INITIALS
A	Introduction of new product.	10/31/17	DDF