

- NOTES:
1. PARTS ARE BULK PACKED
  2. CONTACTS ASSEMBLED IN CONNECTOR
  3. ALL DIMENSIONS ARE REFERENCE EXCEPT THOSE WITH A TOLERANCE

ASS'Y P/N	FOR CABLE O.D.
W8282-XSG-P-3DC	DAISY CHAIN
W8282-XSG-P-311	.09-.14 [2.3-3.5]
W8282-XSG-P-315	.15-.17 [3.8-4.3]
W8282-XSG-P-318	.18-.20 [4.6-5.1]
W8282-XSG-P-321	.21-.23 [5.3-5.8]

ASS'Y P/N	CONTACT QTY
W8282-2SG-P-3XX	2 #20
W8282-3SG-P-3XX	3 #20
W8282-4SG-P-3XX	4 #20
W8282-5SG-P-3XX	5 #20
W8282-6SG-P-3XX	6 #20
W8282-XSG-P-3XX	

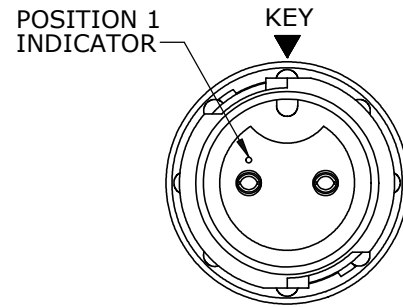
GROMMET SIZE  
NUMBER OF CONTACTS

CUSTOMER APPROVAL

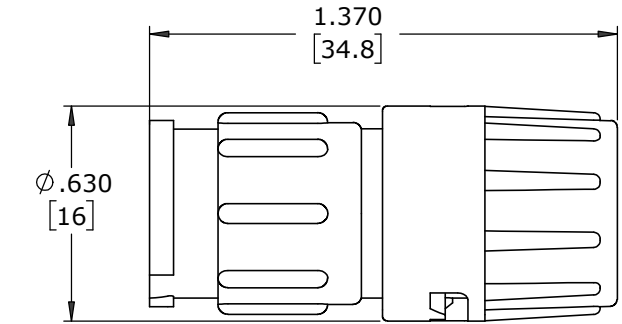
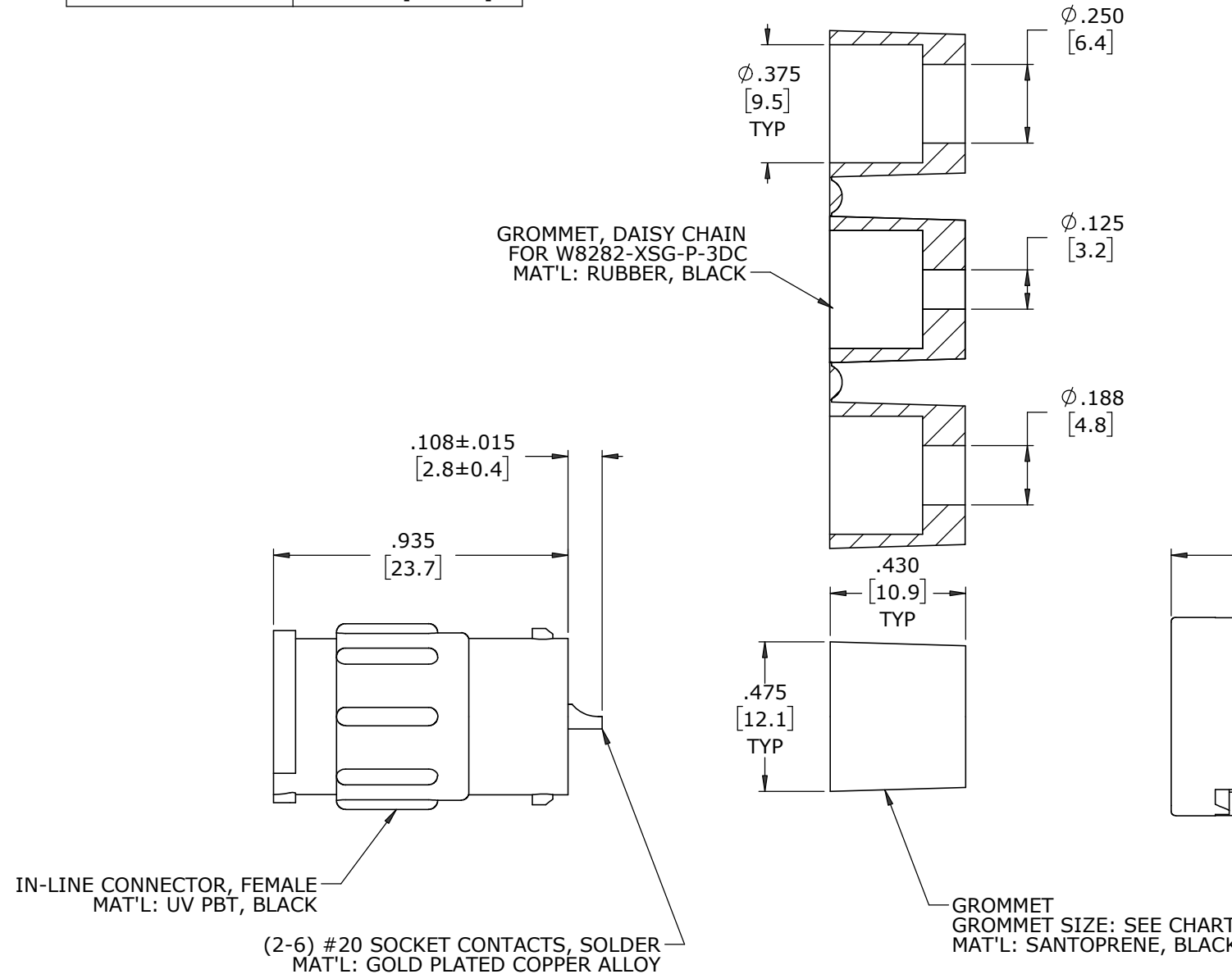
THIS DOCUMENT CONTAINS CONFIDENTIAL INFORMATION PROPRIETARY TO CONXALL CORPORATION. ANY REPRODUCTION, DISCLOSURE, OR USE OF THIS DOCUMENT / INFORMATION IS EXPRESSLY PROHIBITED UNLESS AUTHORIZED IN WRITING BY CONXALL CORPORATION.

APPROVED BY: \_\_\_\_\_

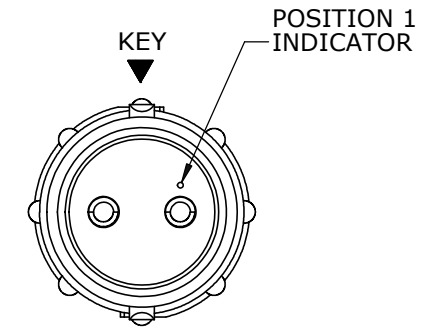
DATE: \_\_\_\_\_



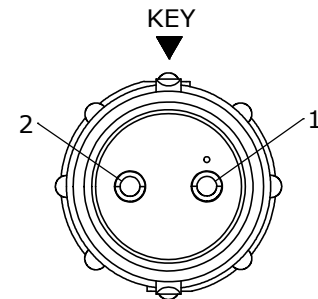
**FACE VIEW**  
W8282-2SG-P-3XX SHOWN



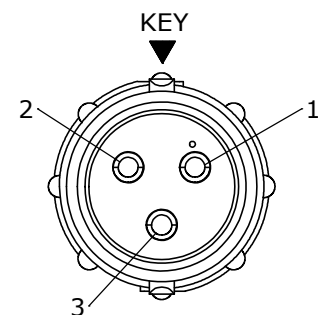
**ASSEMBLED VIEW**  
FOR CUSTOMER REFERENCE ONLY



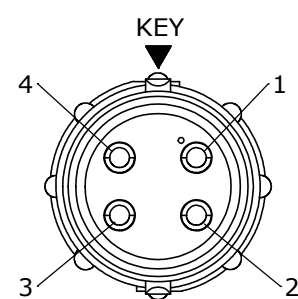
**WIRE VIEW**  
W8282-2SG-P-3XX SHOWN



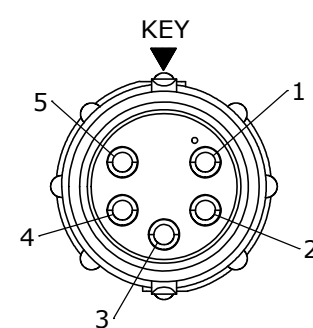
**WIRE VIEW**  
W8282-2SG-P-3XX



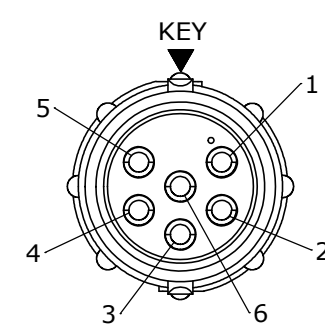
**WIRE VIEW**  
W8282-3SG-P-3XX



**WIRE VIEW**  
W8282-4SG-P-3XX



**WIRE VIEW**  
W8282-5SG-P-3XX



**WIRE VIEW**  
W8282-6SG-P-3XX

DIMENSIONS IN BRACKETS [ ] ARE IN METRIC

**RoHS COMPLIANT**

A	MA	06-25-20	DRAWING CREATED PER PDR 16014-9
REV.	INIT.	DATE	DESCRIPTION
			ORIG. DRAWN BY: MA DATE: 06-25-20
ALL INFORMATION ILLUSTRATED IS THE PROPERTY OF CONXALL CORPORATION. UNAUTHORIZED DUPLICATION OR DISTRIBUTION OF THIS DOCUMENT IS PROHIBITED.			<p>601 E. WILDWOOD VILLA PARK, IL 60181</p>
ALL UNITS ARE IN FEET, INCHES, FRACTION OF INCHES AND DECIMALS.			
APPROVED BY:		TITLE: IN-LINE CONNECTOR ASS'Y (2-6) #20 SOCKET CONTACTS, SOLDER INSTA-CLICK™ MINI-CON-X STANDARD PRODUCT	
SCALE: NTS	SIZE: B	SHEET: 1 OF 1	CUSTOMER:
FILE: W8282-XSG-P-3XX	DIRECTORY: SLW	PART NUMBER: W8282-XSG-P-3XX	REV: A

CUSTOMER PRINT

PART NUMBER: W8282-XSG-P-3XX