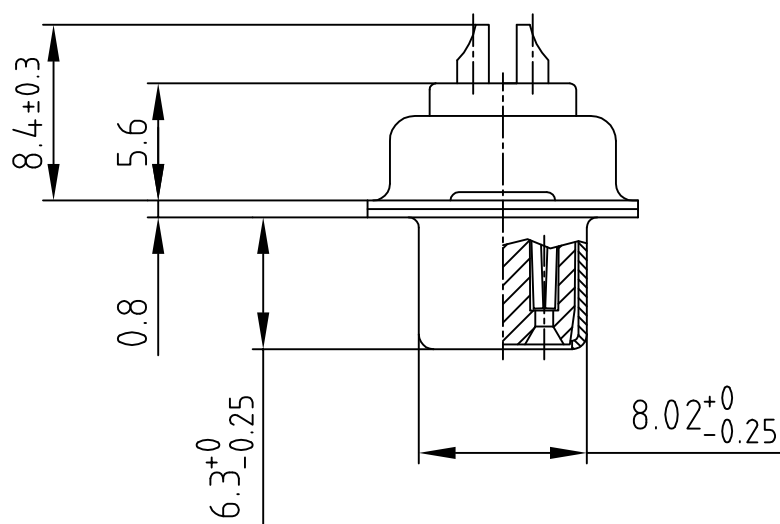
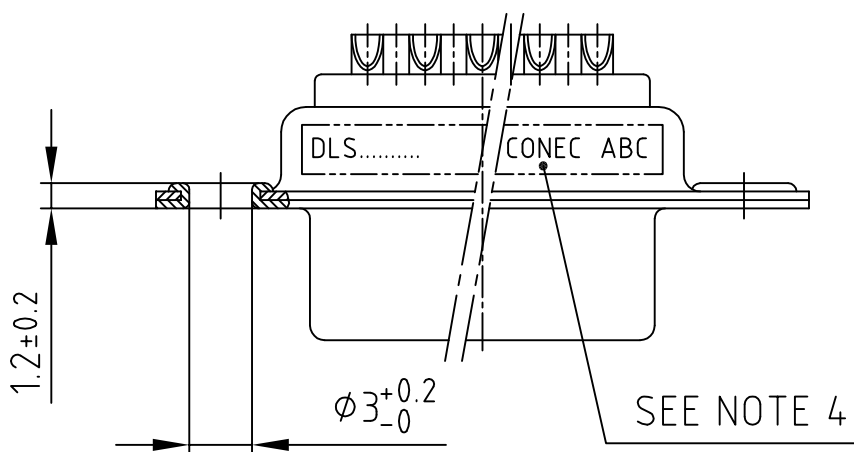
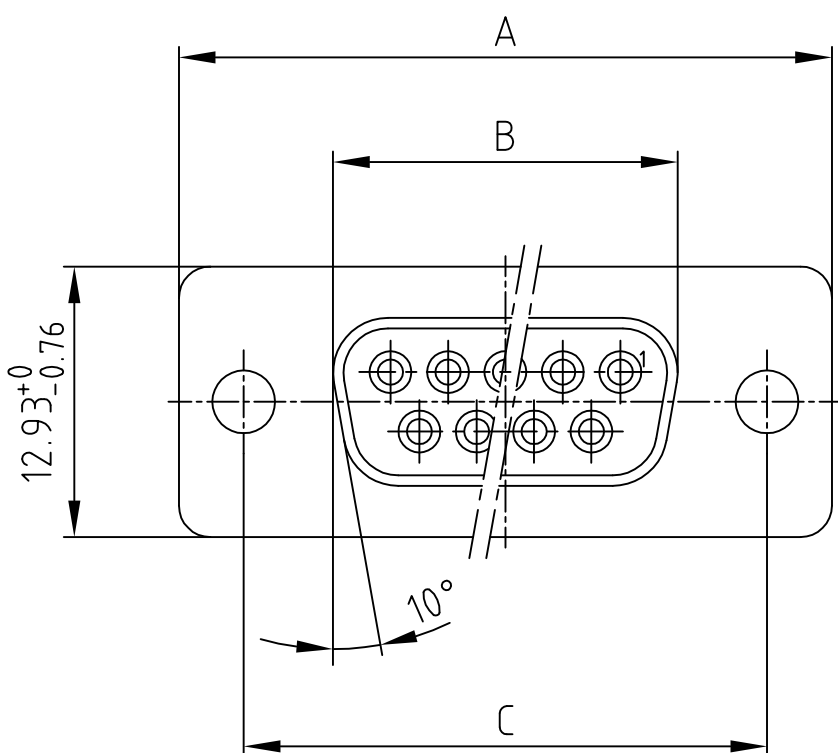


used for: D-SUB

POS.	A -0.76	B -0.25	C	Part-No.
9	31.19	16.46	25.00 $^{+0.12}_{-0.13}$	DLS1XS1AD01X
15	39.52	24.79	33.30 $^{+0.15}_{-0.1}$	DLS2XS1AD01X
25	53.42	38.50	47.04 ± 0.13	DLS3XS1AD01X
37	69.70	54.96	63.50 ± 0.13	DLS4XS1AD01X



NOTES:

- METALSHELLS: STEEL; min. 315µin TIN over 40-80µin NICKEL
- INSULATORS: PBT GF UL 94 V-0; BLACK
- CONTACTS: COPPER ALLOY
PLATING: GOLD FLASH over NICKEL
SOLDER CUP ACCEPTS CABLE AWG 20
- CONNECTOR IS PART MARKED: PART-NO. CONEC ABC

Directive 2002/95/EC RoHS compliant

THIS DRAWING MAY NOT BE COPIED OR REPRODUCED IN ANY WAY, AND MAY NOT BE PASSED ON TO A THIRD PARTY WITHOUT WRITTEN PERMISSION.
 OWNERSHIP AND COPYRIGHT OF CONEC GmbH
 DO NOT ALTER CAD DRAWING BY HAND

				tolerance		dim. in mm	
				2012	date	name	
				drawn	06.01.	Lehmenkühler	
				appd.	06.01.	Fischer	
				norm			
				d-old			
a	Original			CONEC [®]			
rev.	description	date	name				

scale:	2:1	
material:	SEE NOTES	
title:	D-SUB FEMALE 9-37pos. SOLDER CUP with stamped contacts	
dwg no:	16K1A3006	DIN-A 4
part no:	SEE TABLE	
		sh: 1/1