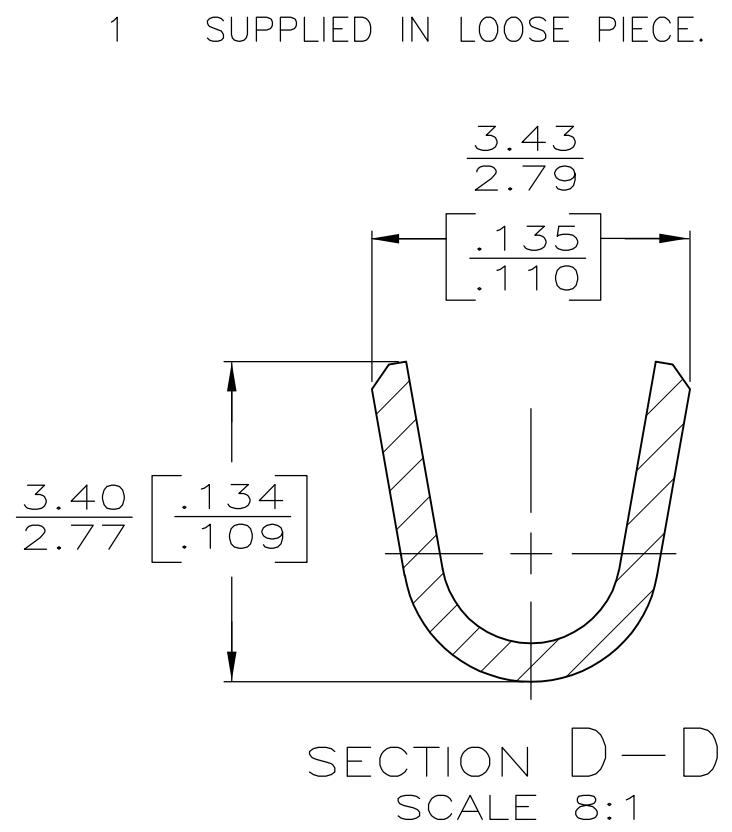
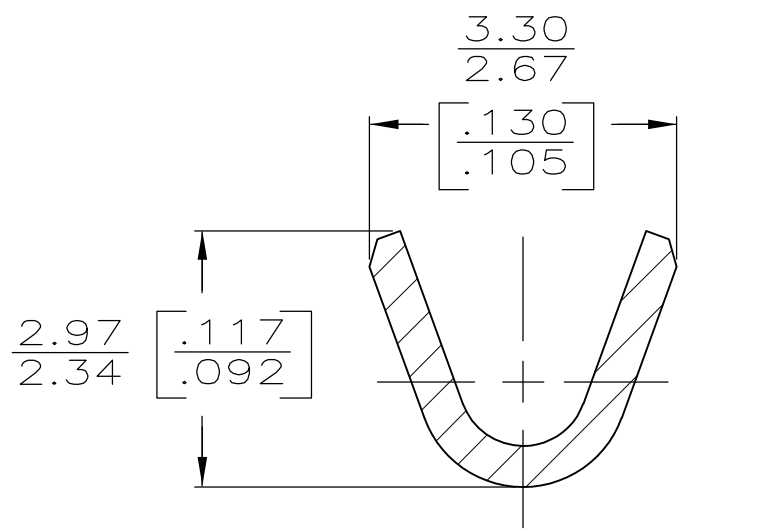
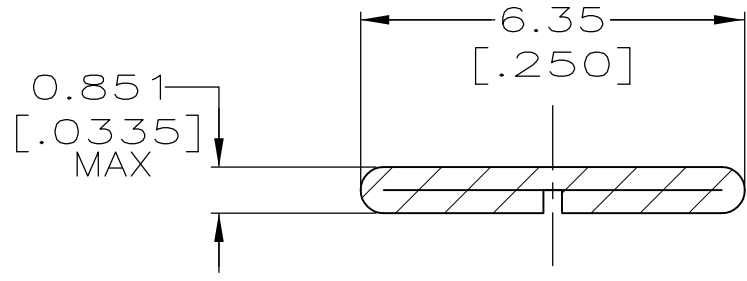
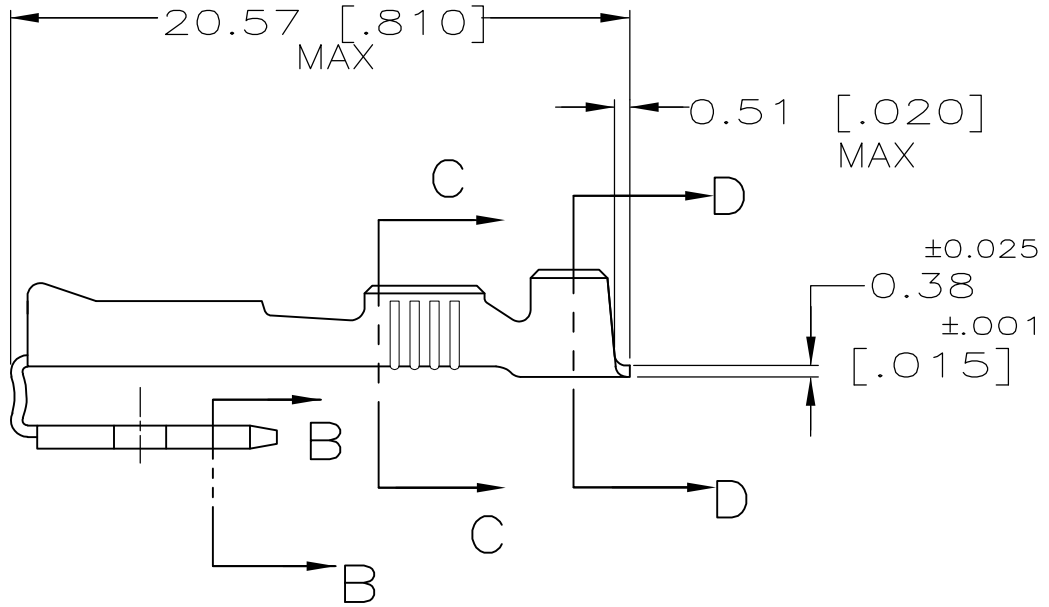


THIS DRAWING IS UNPUBLISHED. RELEASED FOR PUBLICATION
 © COPYRIGHT - By - ALL RIGHTS RESERVED.

LOC	DIST	REVISIONS					
AF	50	P	LTR	DESCRIPTION	DATE	DWN	APVD
		A		REVISED PER ECR-12-013459	27NOV2012	KH	PD



1 SUPPLIED IN LOOSE PIECE.

[#22-#18] AWG	TIN	62274-1
WIRE SIZE	FINISH	PART NO.

THIS DRAWING IS A CONTROLLED DOCUMENT.		DWN	JR RUTH	11/17/93	TE Connectivity RECEPTACLE, FASTON, 6.35 [.250] SERIES			
DIMENSIONS: mm [INCHES]		CHK	MS FEHER	11/17/93				
TOLERANCES UNLESS OTHERWISE SPECIFIED:		APVD	J GILLESPIE	11/17/93				
0 PLC ± - 1 PLC ± - 2 PLC ± 0.25 [.010] 3 PLC ± - 4 PLC ± - ANGLES ± -		PRODUCT SPEC		NAME				
MATERIAL	BRASS	FINISH	SEE TABLE	APPLICATION SPEC	SIZE	CAGE CODE	DRAWING NO	RESTRICTED TO
				WEIGHT	-	A3	00779	C-62274
CUSTOMER DRAWING				SCALE	4:1	SHEET	1 OF 1	REV
								A