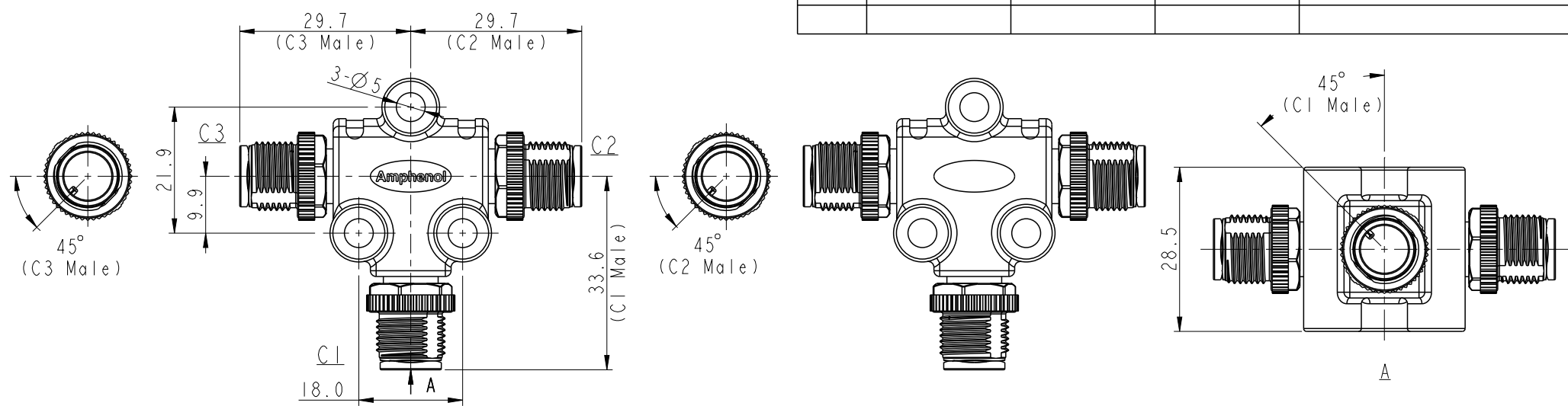


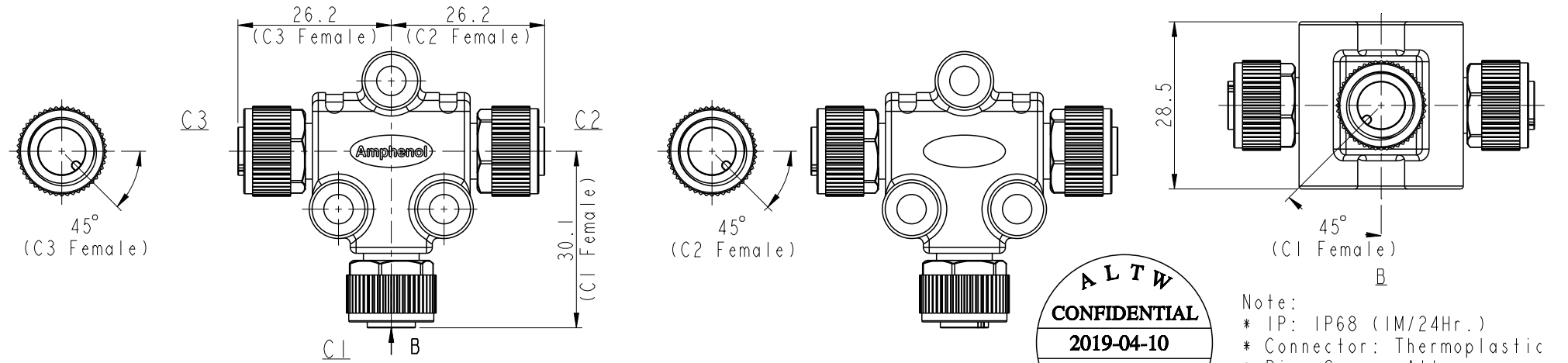
THIS DOCUMENT IS SUBJECT TO CHANGE WITHOUT NOTICE. IT IS CONFIDENTIAL AND A PROPERTY OF Amphenol LTW. DISCLOSURE TO THIRD PARTY HAS TO BE AUTHORIZED BY Amphenol LTW.

REV.	ECN NO.	DATE	SIGN	DESCRIPTION
A		2019/04/10	Bovan Lu	Initial Released.

Male Connector Position & Key Direction



Female Connector Position & Key Direction



※ This drawing is common drawing of series products.
 The figure only shows individual position and key direction of male/female connectors.
 Specific state of C1,2,3 connectors depends on part number. (see sheet 2/3)

ALTW
CONFIDENTIAL
 2019-04-10
R&D DEPT.

- Note:
- * IP: IP68 (IM/24Hr.)
 - * Connector: Thermoplastic
 - * Pin: Copper Alloy
 - * Nut: Metal
 - * Other:

UNIT: mm TOLERANCE ±0.5mm		TITLE M12, A-Code, T-Adaptor		ITEM NO.		DRAWN BY Bovan Lu		DATE 2019-04-10			
		SCALE 1:1		SIZE A4		SHEET 1 OF 3		CHECKED BY Neo Tsai		DATE 2019-04-10	
		REV. A		WC-REV. A.17		QC: Inspection item		APPROVED BY Max Yang		DATE 2019-04-10	
<h1>Amphenol LTW</h1> <p>安費諾亮泰企業股份有限公司</p>				DWC NO. TA-AXXX-AXXX-AXXX-XX		CUSTOMER ALTW		DATE 2019-04-10			

TA - AXXX - AXXX - AXXX - XX

-01: All connectors have the same number of pins.

C1 Connector Type

03: 3 pin
04: 4 pin
:
12: 12 pin

C1 Gender

M: Male Connector, Male Pin
F: Female Connector, Female Pin

C2 Connector Type

03: 3 pin
04: 4 pin
:
12: 12 pin

C2 Gender

M: Male Connector, Male Pin
F: Female Connector, Female Pin

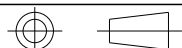
C3 Connector Type

03: 3 pin
04: 4 pin
:
12: 12 pin

C3 Gender

M: Male Connector, Male Pin
F: Female Connector, Female Pin

UNIT: mm



TOLERANCE

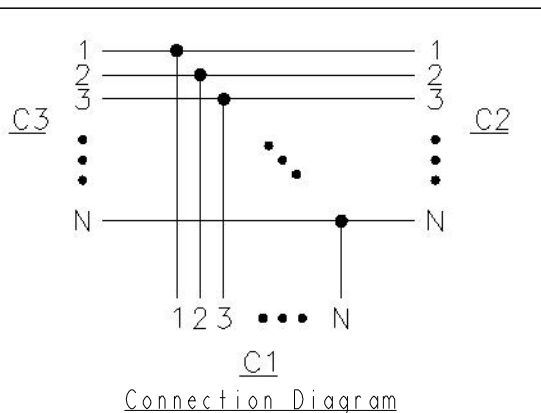
TITLE M12, A-Code, T-Adaptor			
SCALE 1:1	SIZE A4	SHEET 2 OF 3	
REV. A	WC-REV. A.17	☉: Inspection item	

Amphenol LTW
安費諾亮泰企業股份有限公司

ITEM NO	DRAWN BY Bovan Lu	DATE 2019-04-10
DWG NO TA-AXXX-AXXX-AXXX-XX	CHECKED BY Neo Tsai	DATE 2019-04-10
CUSTOMER ALTW	APPROVED BY Max Yang	DATE 2019-04-10

	A-code						
	3 Pin	4 Pin	5 Pin	6 Pin	8 Pin	10 Pin	12 Pin
Male							
Female							
Pin Out	Pin# Color Pin1 Black Pin3 White Pin4 Blue	Pin# Color Pin1 Black Pin2 White Pin3 Blue Pin4 Green	Pin# Color Pin1 Black Pin2 White Pin3 Blue Pin4 Green Pin5 Red	Pin# Color Pin1 Black Pin2 White Pin3 Blue Pin4 Green Pin6 Red Pin7 Gray	Pin# Color Pin1 Black Pin2 White Pin3 Blue Pin4 Green Pin5 Red Pin6 Gray Pin7 Yellow Pin8 Orange	Pin# Color Pin1 Black Pin2 White Pin3 Blue Pin4 Green Pin5 Red Pin6 Gray Pin7 Yellow Pin8 Orange Pin9 Brown Pin10 Purple	Pin# Color Pin1 Black Pin2 White Pin3 Blue Pin4 Green Pin5 Red Pin6 Gray Pin7 Yellow Pin8 Orange Pin9 Brown Pin10 Purple Pin11 White/Red Pin12 Pink

Pin Assignments Front View



UNIT:mm TOLERANCE			TITLE M12, A-Code, T-Adaptor		ITEM NO	DRAWN BY Bovan Lu	DATE 2019-04-10
	SCALE 1:1		SIZE A4	SHEET 3 OF 3	DWG NO TA-AXXX-AXXX-AXXX-XX	CHECKED BY Neo Tsai	DATE 2019-04-10
	REV. A		WC-REV. A.17	Inspection item		CUSTOMER ALTW	APPROVED BY Max Yang

Amphenol LTW
安費諾亮泰企業股份有限公司