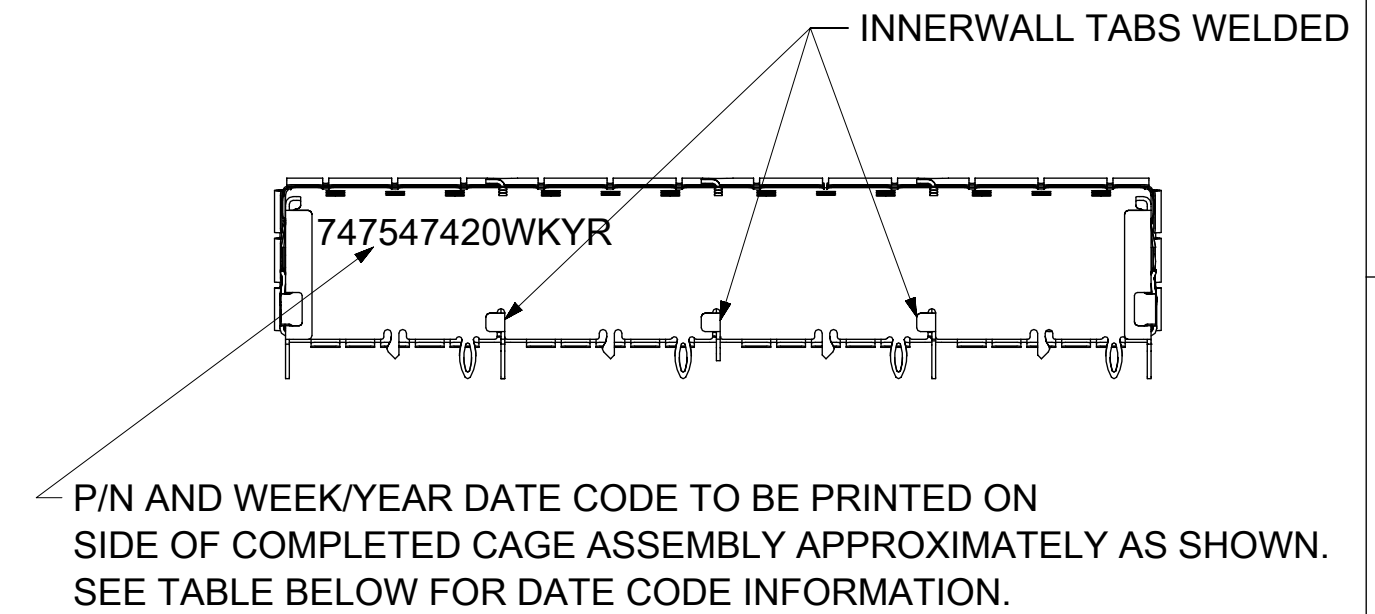
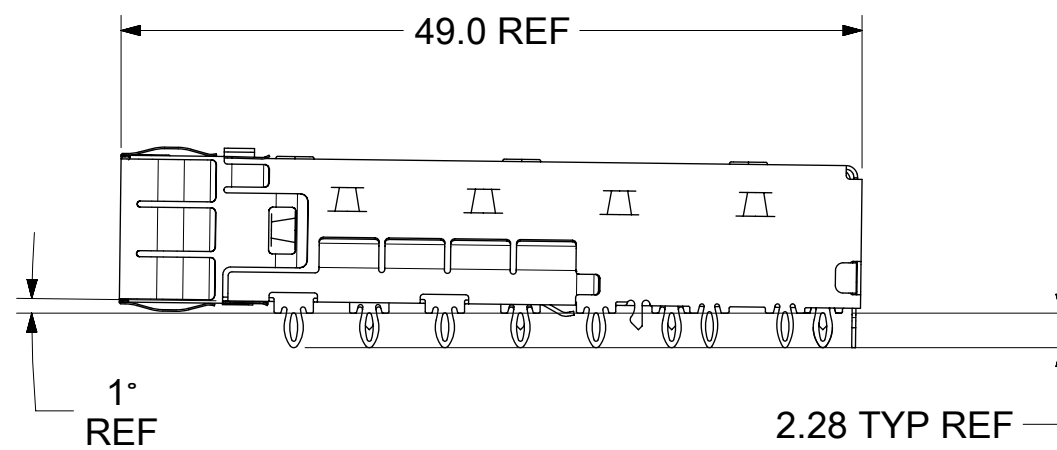
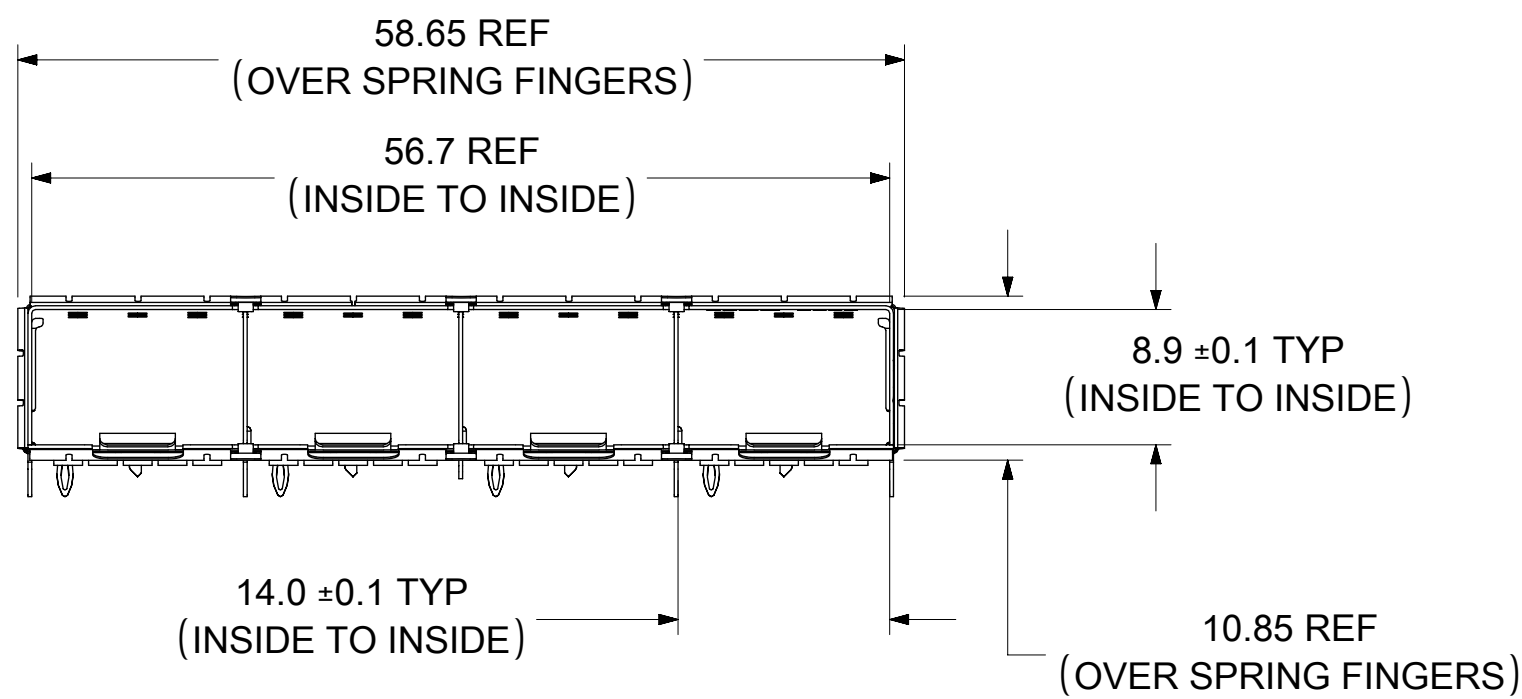
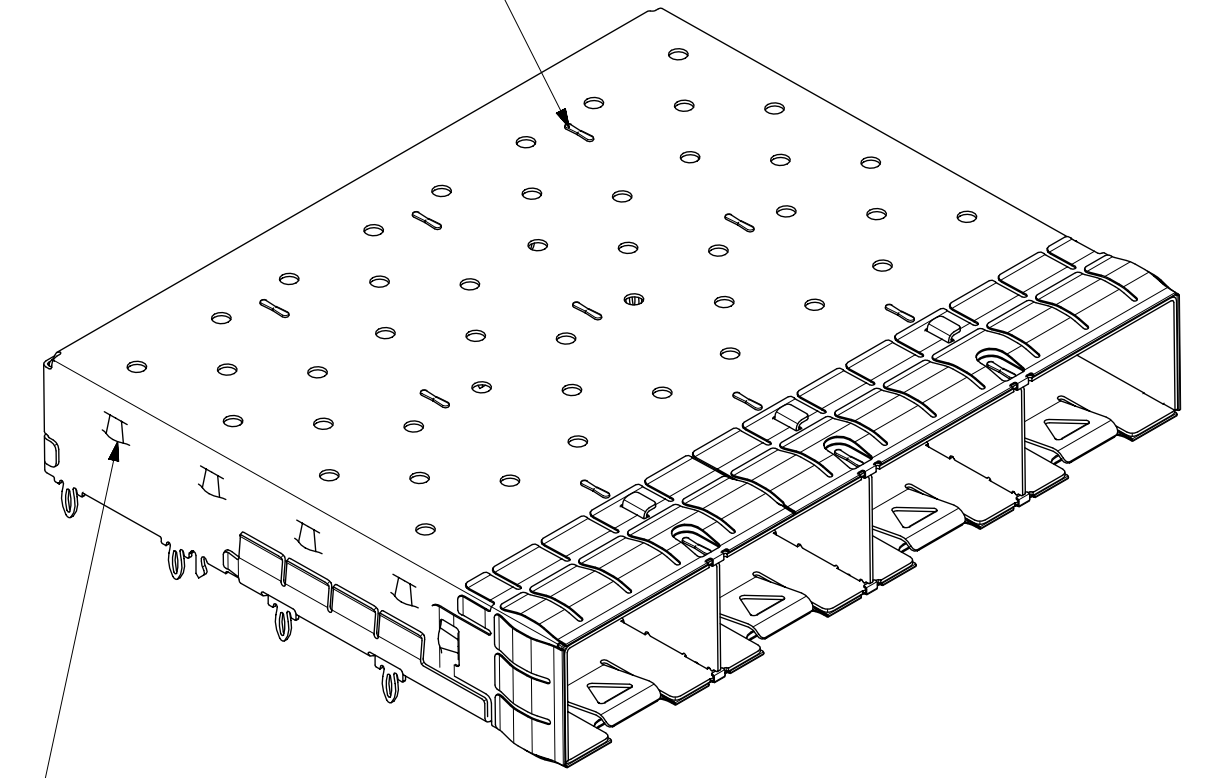


INNER WALLS ARE COINED OVER BASE AND COVER FOR EXCELLENT RIGIDITY



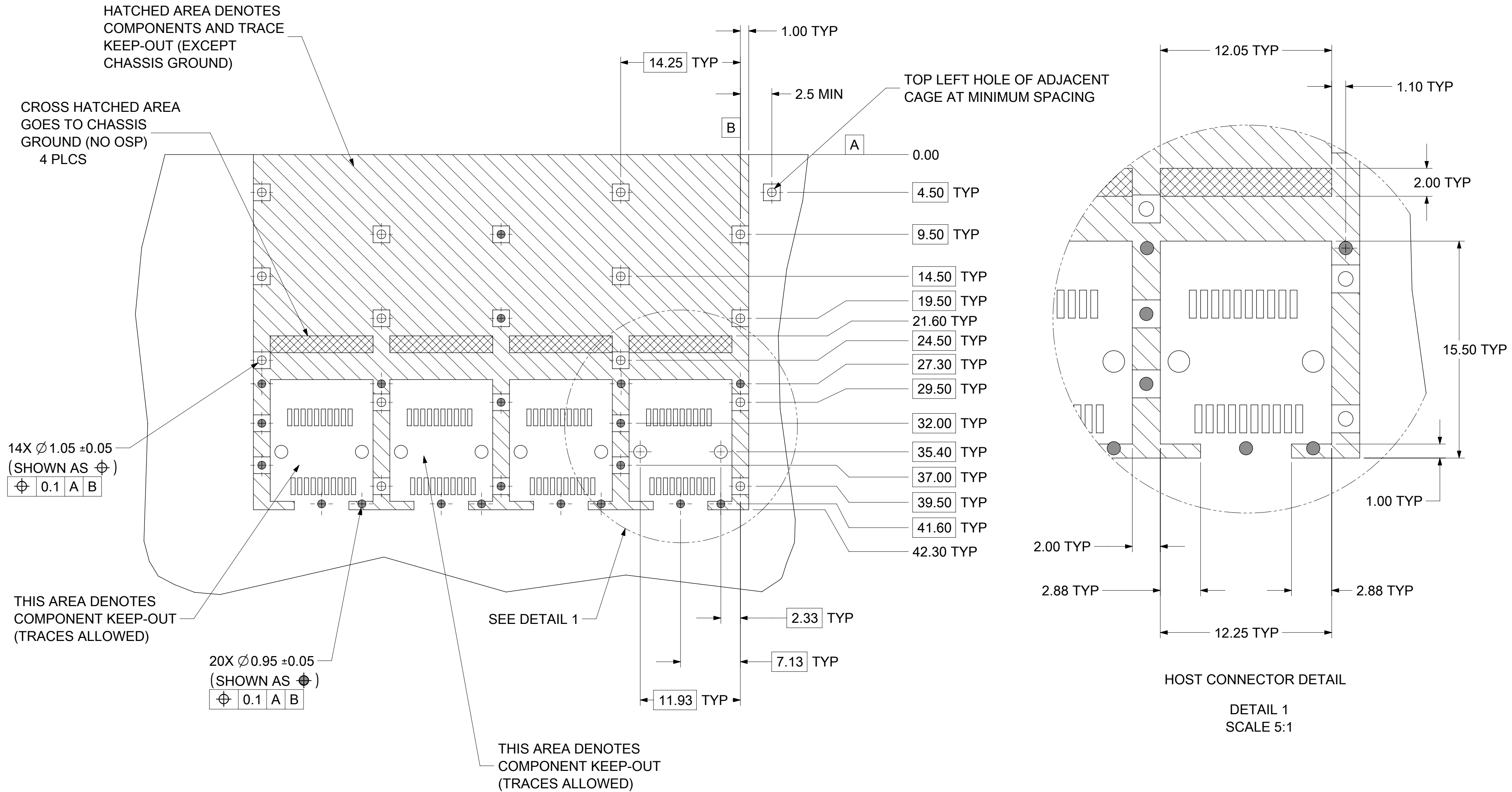
NOTES:

1. MATERIAL:
CAGE: NICKEL PLATED COPPER ALLOY, THICKNESS 0.25mm
SPRING FINGERS: STAINLESS STEEL.
2. PRESS FIT LEGS 2.28mm LONG
1.57mm MINIMUM PCB THICKNESS FOR SINGLE SIDED USE
2.28mm MINIMUM PCB THICKNESS FOR BELLY TO BELLY USE
3. OPTIONAL LIGHT PIPE ASSEMBLY AVAILABLE
4. PORTS ARE DESIGNED FOR SFP+ TRANSCEIVERS AND ARE COMPATIBLE WITH SFP TRANSCEIVERS
5. NO RoHS EXEMPTIONS
6. WELD SPOTS MAY SHOW SLIGHT MATERIAL DISCOLORATION

WEEK/YEAR DATE CODE TABLE	
WK	01 THRU 52 OR 53 EXAMPLE: 01 = FIRST WEEK OF YEAR 52 = LAST WEEK OF YEAR
YR	22, 23, 24 ETC. EXAMPLE: YEAR 2022 = 22

FUNCTIONAL SYMBOLS FA = 0 FE = 0 FP = 0	THIS DRAWING CONTAINS INFORMATION THAT IS PROPRIETARY TO MOLEX ELECTRONIC TECHNOLOGIES, LLC AND SHOULD NOT BE USED WITHOUT WRITTEN PERMISSION		CURRENT REV DESC: SEE REVISION TABLE		
	DIMENSION UNITS	SCALE	EC NO: 707270		
	mm	2:1	DRWN: CHETHH2 2022/04/18		
	GENERAL TOLERANCES (UNLESS SPECIFIED)		CHK'D: TKUMARKC 2022/05/25		
DIVISIONAL SYMBOLS	ANGULAR TOL ± 1.0°		APPR: SCHIEN 2022/06/01		PRODUCT CUSTOMER DRAWING DOCUMENT NUMBER: 747547420 DOC TYPE: PSD DOC PART: ASY REVISION: A
	4 PLACES ±		INITIAL REVISION:		
	3 PLACES ±		DRWN: CHETHH2 2022/04/18		
	2 PLACES ± 0.15		APPR: SCHIEN 2022/06/01		
1 PLACE ± 0.25		MATERIAL NUMBER: 747547420		CUSTOMER	SHEET NUMBER: 1 OF 5
0 PLACES ±		DRAFT WHERE APPLICABLE MUST REMAIN WITHIN DIMENSIONS		THIRD ANGLE PROJECTION	DRAWING: C-SIZE

PCB LAYOUT FOR SINGLE SIDE MOUNT



NOTES:

1. PADS AND VIAS CONNECT TO CHASSIS GROUND (RECOMMEND PADS TO BE 2.00mm SQUARE)
2. RECOMMENDED THRU HOLE PLATING INCLUDES HASL, OSP, OR IMMERSION (GOLD, SILVER, OR TIN).
3. CONNECTOR PAD LAYOUT PER SFP+ MSA WILL ACCOMMODATE MOLEX CONNECTOR SERIES 74441 OR EQUIVALENT.
4. HOLE PATTERN REPEATS FOR EACH PORT. SPACING BETWEEN PORTS IS 14.25mm.

FUNCTIONAL SYMBOLS		THIS DRAWING CONTAINS INFORMATION THAT IS PROPRIETARY TO MOLEX ELECTRONIC TECHNOLOGIES, LLC AND SHOULD NOT BE USED WITHOUT WRITTEN PERMISSION		CURRENT REV DESC: SEE REVISION TABLE			
$\nabla_A = 0$	DIMENSION UNITS	SCALE	EC NO: 707270				
$\nabla_C = 0$	mm	3:1	DRWN: CHETHH2 2022/04/18			PRODUCT CUSTOMER DRAWING	
$\nabla_P = 0$	GENERAL TOLERANCES (UNLESS SPECIFIED)		CHK'D: TKUMARKC 2022/05/25			DOCUMENT NUMBER	
DIVISIONAL SYMBOLS		ANGULAR TOL $\pm 1.0^\circ$	APPR: SCHIEN 2022/06/01			747547420	
4 PLACES \pm		3 PLACES \pm	INITIAL REVISION:			DOC TYPE DOC PART REVISION	
2 PLACES ± 0.15		1 PLACE ± 0.25	DRWN: CHETHH2 2022/04/18			PSD ASY A	
0 PLACES \pm		0 PLACES \pm	APPR: SCHIEN 2022/06/01			SHEET NUMBER	
DRAFT WHERE APPLICABLE MUST REMAIN WITHIN DIMENSIONS		THIRD ANGLE PROJECTION	DRAWING	SERIES	MATERIAL NUMBER	CUSTOMER	2 OF 5
			C-SIZE	74754	747547420		

PCB LAYOUT FOR BELLY TO BELLY MOUNTING NOT FOR 747540422

HATCHED AREA DENOTES
COMPONENTS AND TRACE
KEEP-OUT (EXCEPT
CHASSIS GROUND)

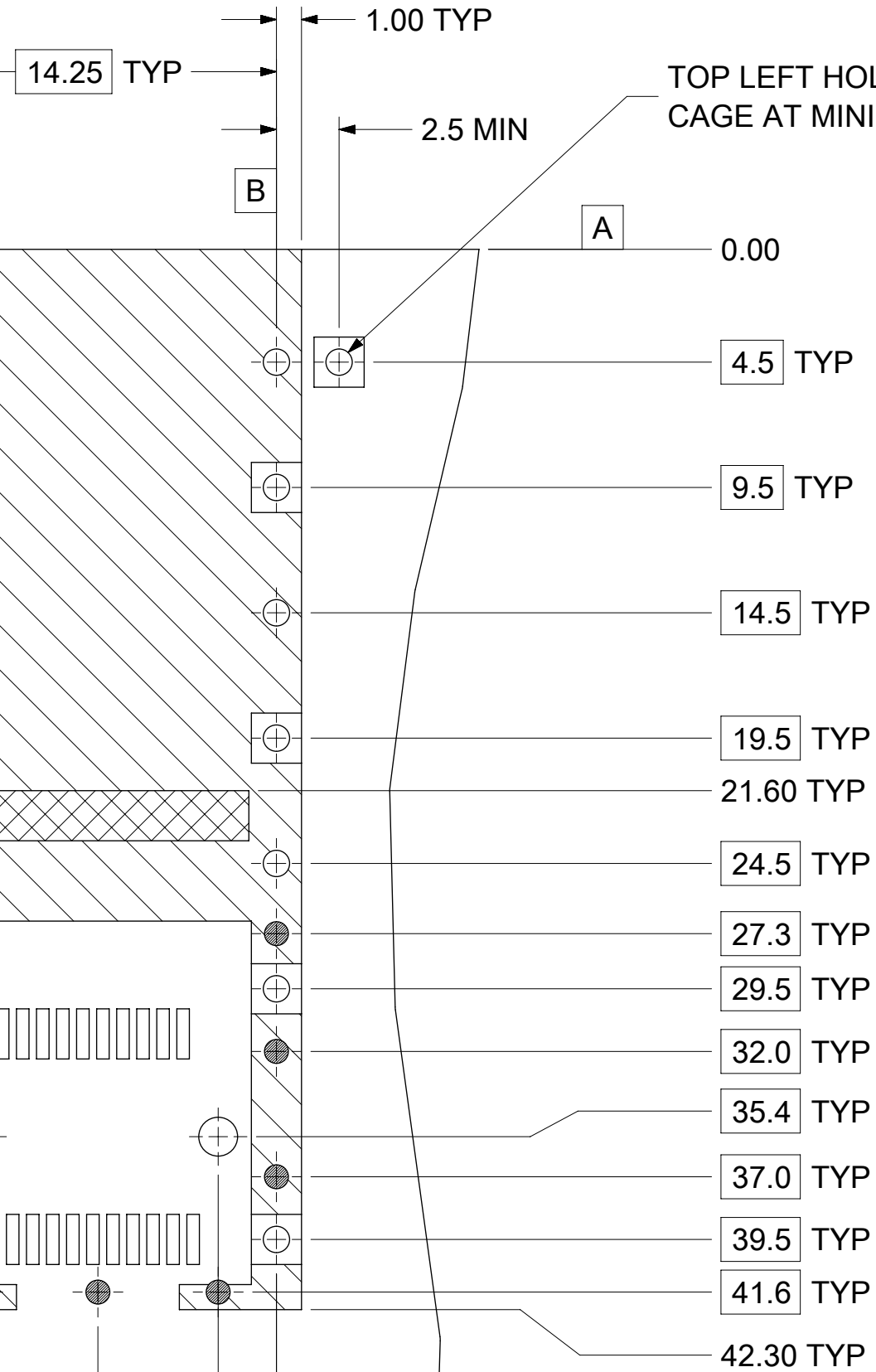
CROSS HATCHED AREA
GOES TO CHASSIS
GROUND (NO OSP)
4 PLCS

TOP LEFT HOLE OF ADJACENT
CAGE AT MINIMUM SPACING

28X $\varnothing 1.05 \pm 0.05$
(SHOWN AS \oplus)
 $\oplus 0.1$ A B

THIS AREA DENOTES
COMPONENT KEEP-OUT
(TRACES ALLOWED)

28X $\varnothing 0.95 \pm 0.05$
(SHOWN AS \oplus)
 $\oplus 0.1$ A B



NOTE:
SEE SHEET 2 FOR
HOST CONNECTOR DETAIL

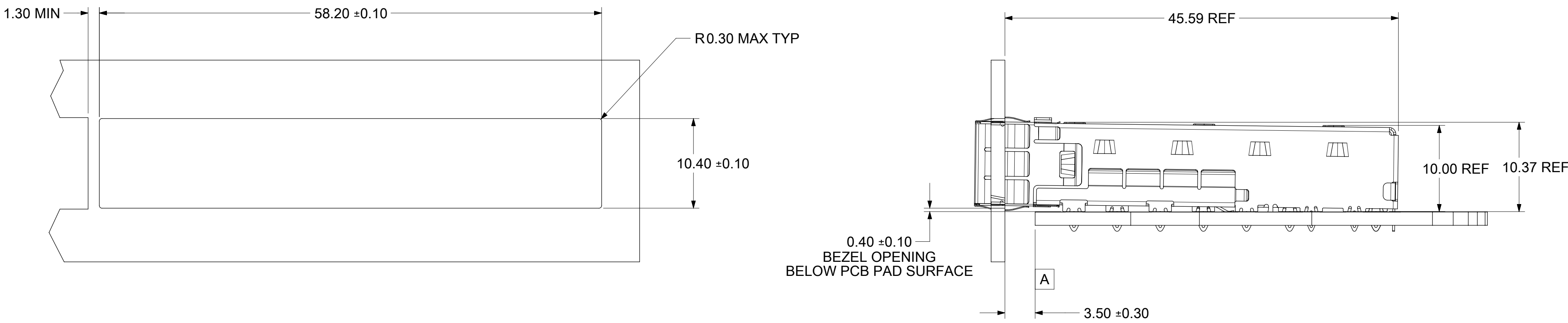
NOTES:

1. PADS AND VIAS CONNECT TO CHASSIS GROUND (RECOMMEND PADS TO BE 2.00mm SQUARE)
2. RECOMMENDED THRU HOLE PLATING INCLUDES HASL, OSP, OR IMMERSION (GOLD, SILVER, OR TIN).
3. CONNECTOR PAD LAYOUT PER SFP+ MSA WILL ACCOMMODATE MOLEX CONNECTOR SERIES 74441 OR EQUIVALENT.
4. HOLE PATTERN REPEATS FOR EACH PORT. SPACING BETWEEN PORTS IS 14.25mm.

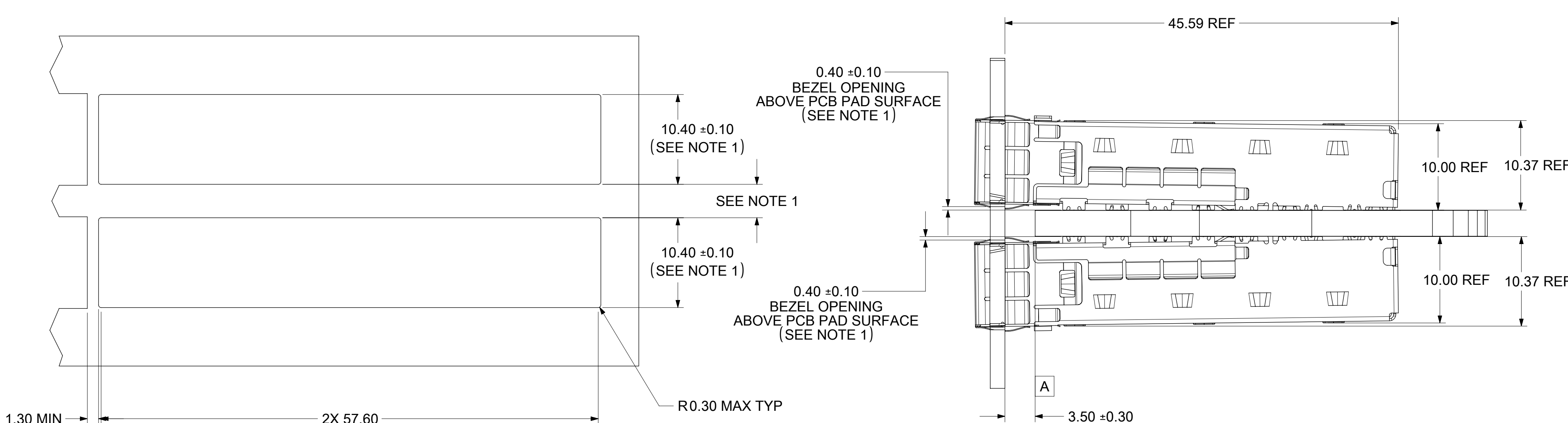
THIS DRAWING CONTAINS INFORMATION THAT IS PROPRIETARY TO MOLEX ELECTRONIC TECHNOLOGIES, LLC AND SHOULD NOT BE USED WITHOUT WRITTEN PERMISSION									
FUNCTIONAL SYMBOLS	DIMENSION UNITS	SCALE	CURRENT REV DESC: SEE REVISION TABLE						
$\nabla_A = 0$	mm	4:1	EC NO: 707270 DRWN: CHETHH2 CHK'D: TKUMARKC APPR: SCHIEN INITIAL REVISION: DRWN: CHETHH2 APPR: SCHIEN 2022/04/18 2022/06/01						
$\nabla_C = 0$	GENERAL TOLERANCES (UNLESS SPECIFIED)								
$\nabla_P = 0$	ANGULAR TOL $\pm 1.0^\circ$								
DIVISIONAL SYMBOLS			4 PLACES \pm	2022/04/18	<b style="font-size: 24px;">molex 1X4 SFP+ PCI CAGE ASY PRESS FIT TYPE, W/ SUS SPRING FINGER AND LIGHT PIPE OPTION PRODUCT CUSTOMER DRAWING DOCUMENT NUMBER: 747547420 DOC TYPE: PSD DOC PART: ASY REVISION: A MATERIAL NUMBER: 747547420 CUSTOMER: SHEET NUMBER: 3 OF 5				
			3 PLACES \pm	2022/05/25					
			2 PLACES ± 0.15	2022/06/01					
			1 PLACE ± 0.25						
			0 PLACES \pm						
DRAFT WHERE APPLICABLE MUST REMAIN WITHIN DIMENSIONS			THIRD ANGLE PROJECTION	DRAWING	SERIES				
				C-SIZE	74754				

DOCUMENT STATUS	P1	RELEASE DATE	2022/06/01	06:40:52
-----------------	----	--------------	------------	----------

BEZEL AND BOARD POSITION DIMENSIONS FOR SINGLE SIDE MOUNTING
(SPRING FINGER)



BEZEL AND BOARD POSITION DIMENSIONS FOR BELLY TO BELLY MOUNTING
(SPRING FINGER)



NOTES:

1. PCB THICKNESS VARIATION MUST BE CONSIDERED WHEN DETERMINING BEZEL OPENING, SIZE, AND LOCATION.

FUNCTIONAL SYMBOLS	THIS DRAWING CONTAINS INFORMATION THAT IS PROPRIETARY TO MOLEX ELECTRONIC TECHNOLOGIES, LLC AND SHOULD NOT BE USED WITHOUT WRITTEN PERMISSION										
$\frac{F}{A} = 0$	DIMENSION UNITS	SCALE	CURRENT REV DESC: SEE REVISION TABLE							molex	
$\frac{F}{C} = 0$	mm	3:1									
$\frac{F}{P} = 0$	GENERAL TOLERANCES (UNLESS SPECIFIED)		EC NO: 707270							1X4 SFP+ PCI CAGE ASY PRESS	
	ANGULAR TOL ± 1.0°		DRWN: CHETHH2				2022/04/18		FIT TYPE, W/ SUS SPRING FINGER AND LIGHT PIPE OPTION		
	4 PLACES ±		CHK'D: TKUMARKC				2022/05/25		PRODUCT CUSTOMER DRAWING		
	3 PLACES ±		APPR: SCHIEN				2022/06/01		DOCUMENT NUMBER		
	2 PLACES ± 0.15		INITIAL REVISION:				2022/04/18		747547420		
	1 PLACE ± 0.25		DRWN: CHETHH2				2022/06/01		PSD ASY A		
	0 PLACES ±		APPR: SCHIEN				2022/06/01		DOC TYPE DOC PART REVISION		
	DRAFT WHERE APPLICABLE MUST REMAIN WITHIN DIMENSIONS		THIRD ANGLE PROJECTION	DRAWING	SERIES	MATERIAL NUMBER	CUSTOMER	SHEET NUMBER			
				C-SIZE	74754	747547420		4 OF 5			

