

# NB3N3011DTEVB



## NB3N3011DTEVB Evaluation Board User's Manual

ON Semiconductor®

<http://onsemi.com>

### EVAL BOARD USER'S MANUAL

#### Board Description

The NB3N3011 Evaluation Board provides a flexible and convenient platform to quickly evaluate, characterize and verify the performance and operation of the NB3N3011 Clock Generator. This user's manual provides detailed information on board contents, layout and its use. It should be used in conjunction with a device datasheet: NB3N3011. ([www.onsemi.com](http://www.onsemi.com))

A single TSSOP-8 (wide) device can be mounted on the board.

#### Board Features

- Accommodates the Electrical Characterization of the NB3N3011
- Supports Use of a 25 MHz and 26.5625 MHz Through-hole or Surface Mount Crystal
- Incorporates on Board Power Supply Filter
- Convenient and Compact Board Layout
- 3.3 V Single or Split-power Supply Operation
- LVPECL Differential Output Signals are Accessed via SMA Connectors

#### Board Layout

The evaluation board is constructed with FR4 material and is designed to minimize noise, and crosstalk and achieve high bandwidth. SMA connectors are provided for output signal access.

#### Layer Stack

- L1 Signal and SMAGND
- L2 SMA Ground
- L3 V<sub>CC</sub> (Positive Power Supply) and V<sub>EE</sub> (Device Negative Power Supply)
- L4 Signal

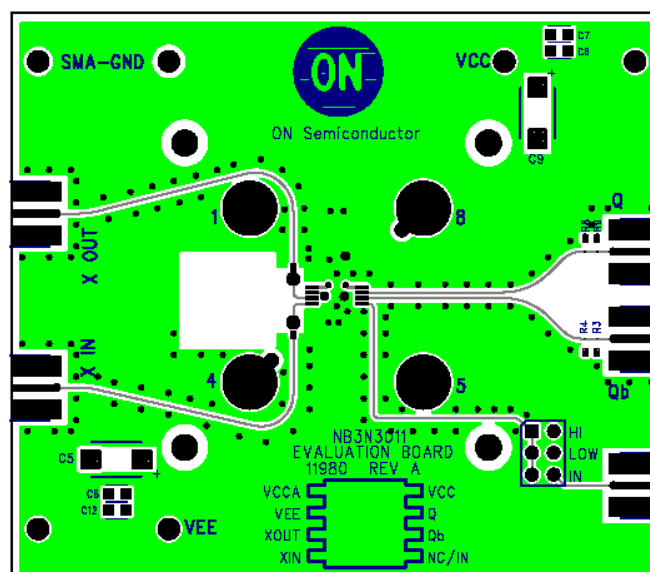


Figure 1. Evaluation Board

# NB3N3011DTEVB

## LAB SETUP PROCEDURE

### Power Supply Connections and Output Termination

The NB3N3011 has a positive supply pin,  $V_{CC}$ , and a negative supply pin,  $V_{EE}$ . SMAGND ( $V_{TT}$ ) is the termination supply for the LVPECL outputs, only.

Power supply banana plug connectors for  $V_{CC}$ ,  $V_{EE}$  and SMAGND are provided in the corners of the board. The LVPECL Q and  $\bar{Q}$  outputs have standard, open emitter outputs and must be externally DC loaded and terminated. Thevenin equivalent load and termination resistors pads are provided at the Q/ $\bar{Q}$  output's SMA connectors, but are not installed. A "split" or dual power supply technique can be used to take advantage of terminating the LVPECL outputs into 50  $\Omega$  of an oscilloscope or a frequency counter. Since  $V_{TT} = V_{CC} - 2.0$  V, offsetting  $V_{CC}$  to +2.0 V yields  $V_{TT} = 0$  V or Ground. The  $V_{TT}$  terminal connects to the isolated SMAGND connector ground plane, and is not to be confused with the device ground pin or  $V_{EE}$ .

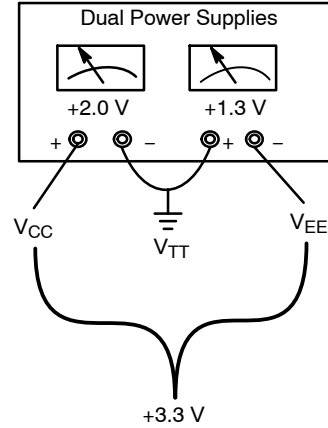


Figure 2. "Split" or Dual Power Supply Connections

Table 1. "SPLIT" POWER SUPPLY CONFIGURATION

Device Pin	Power Supply	"Split" Power Supply
$V_{CC}$	RED	$V_{CC} = +2.0$ V
SMAGND	BLACK	$V_{TT} = V_{CC} - 2.0$ V = 0 V
$V_{EE}$	BLACK	$V_{EE} = -1.3$ V

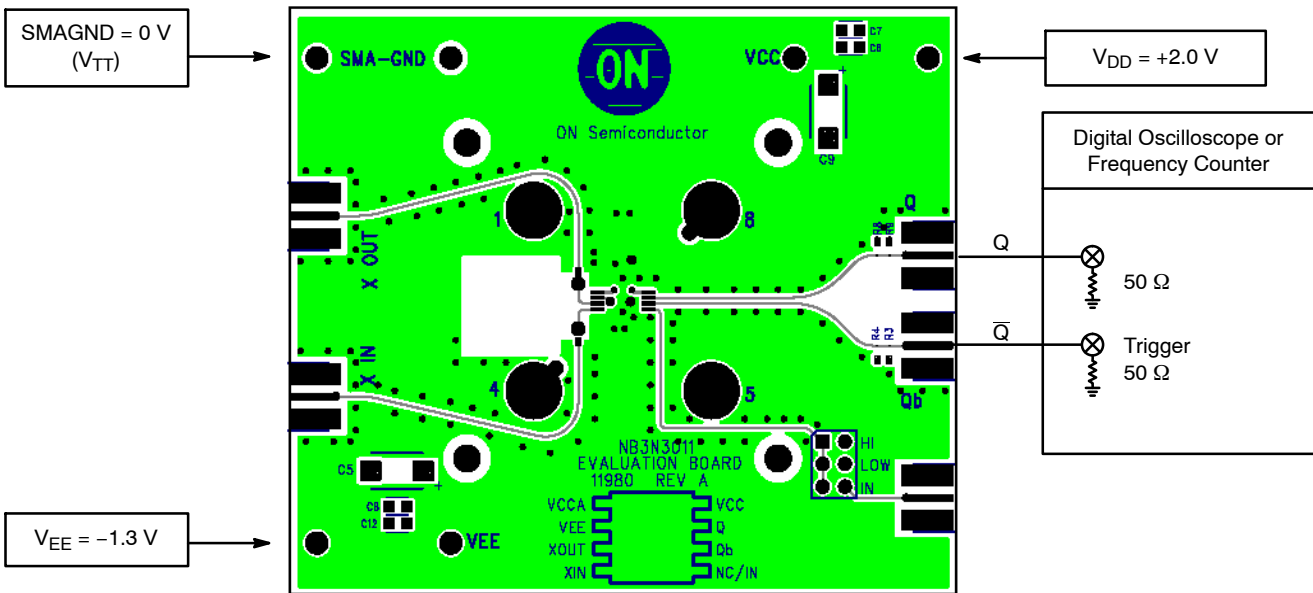


Figure 3. "Split" Power Supply Connections

## LAB SETUP AND MEASUREMENT PROCEDURE

### Equipment Used

- Tektronix TDS8000 Oscilloscope or Frequency Counter
- Agilent #6624A DC Power Supply
- Digital Voltmeter
- Matched high-speed cables with SMA connectors

In order to get started and demonstrate the NB3N3011, perform the following test set-up sequence:

To monitor the Q and  $\bar{Q}$  outputs on an oscilloscope or frequency counter (with internal 50  $\Omega$  termination impedance), the power supply needs to be DC offset:

1. Connect a “split” power supply to the evaluation board. (see Figure 2)  
Connect  $V_{CC}$  banana jack to +2.0 V  
Connect SMAGND banana jack to ground = 0 V  
Connect  $V_{EE}$  banana jack to -1.3 V for 3.3 V operation
2. Ensure the oscilloscope is triggered properly and has 50  $\Omega$  internal termination to ground. The board does not provide 50  $\Omega$  source termination resistors. Two oscilloscope trigger methods are 1) from Q (using a “T” connector) or 2) directly from  $\bar{Q}$ .
3. Connect the LVPECL Q and  $\bar{Q}$  outputs to the oscilloscope with good quality matched cables. The outputs are terminated with 50  $\Omega$  to  $V_{TT} = \text{SMAGND} (V_{CC} - 2.0 \text{ V}) = 0 \text{ V} = \text{Ground}$  internal to the oscilloscope.

### NB3N3011 Evaluation Board Pin Descriptions and Features by Pin

The NB3N3011 Evaluation Board was designed to accommodate the test and evaluation of the NB3N3011 LVPECL Clock Generator. Detailed board features by device pin are described below:

#### Crystal (XTAL\_IN and XTAL\_OUT)

A through-hole or surface mount parallel resonant crystal can be used.

Disregard the metal traces and connectors from  $X_{IN}$  and  $X_{OUT}$ . They are open and NOT connected to the crystal package pins and have no impedance affect on the crystal.

#### Q and $\bar{Q}$

The Q and  $\bar{Q}$  LVPECL outputs have equal length 50  $\Omega$  board traces with SMA connectors. Matched cables can connect to an oscilloscope or frequency counter.

#### $V_{CC}$ and $V_{CCA}$

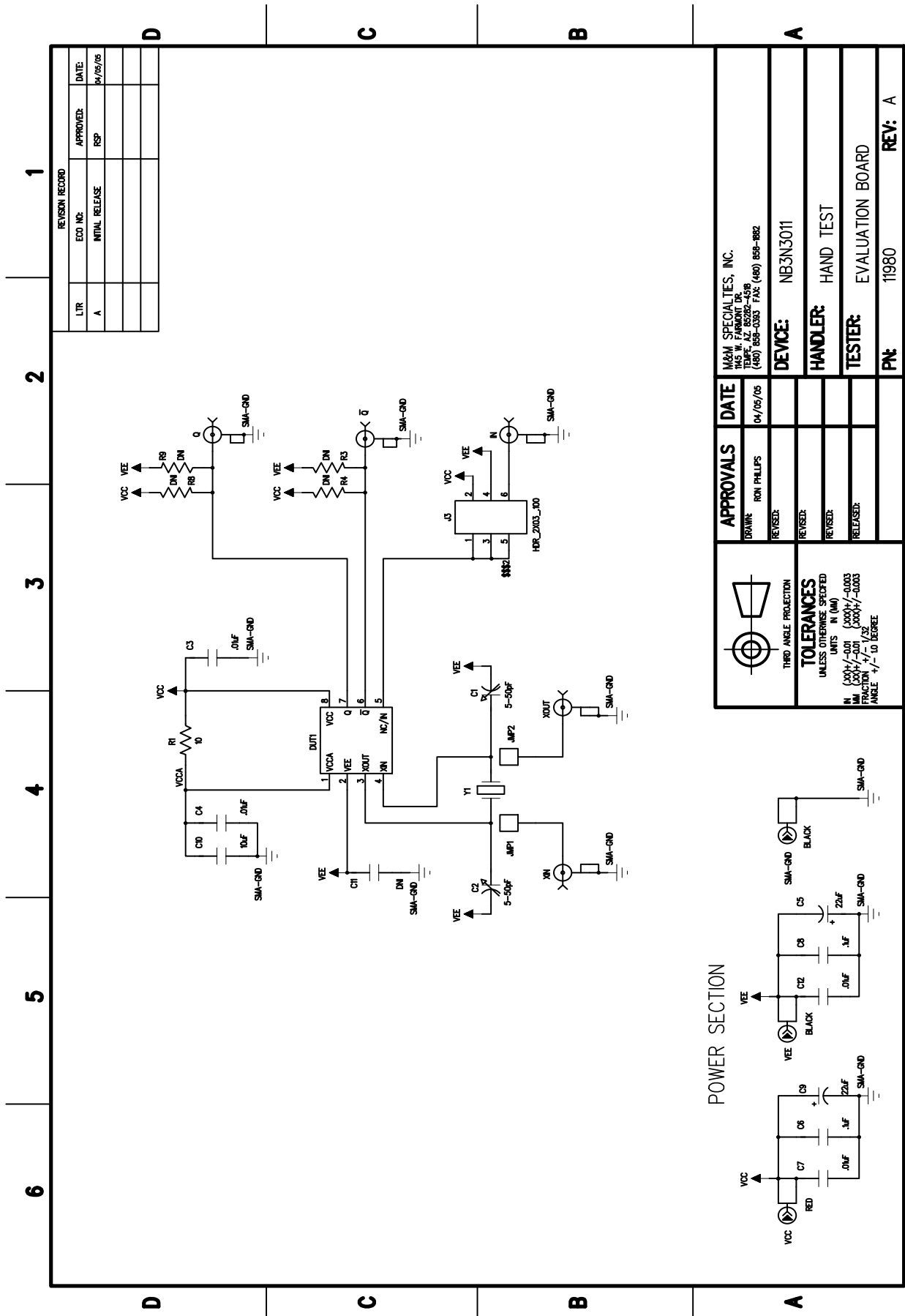
The  $V_{CC}$  pin is connected directly to the  $V_{CC}$  power plane. By-pass capacitors are installed.

The  $V_{CCA}$  pin has the power supply filter components installed per the datasheet.

## NB3N3011DTEVB

**Table 2. NB3N3011 BILL OF MATERIALS**

Component	Description	Qty	Designator
Connector	Johnson Comp Inc SMA #142-0711-821	2	Q, $\bar{Q}$
Capacitor, P/S Bypass	22 $\mu$ F	2	C5, C9
Capacitor, P/S Bypass; VCCA Filter	0.01 $\mu$ F	4	C7, C12
Capacitor, P/S Bypass	0.1 $\mu$ F	2	C8, C8
Capacitor, VCCA Filter	10 $\mu$ F	1	C10
Capacitor, Crystal Load	33 $\mu$ F	1	C14
Capacitor, Crystal Load	22 $\mu$ F	1	C13
Crystal	25 MHz, Ecliptek #ECX6106-25.00M - Surface Mount #ECX6150-25.000M - Through-hole 26.5625 MHz, Ecliptek #ECX6110-26.5625M - Surface Mount #ECX6151-26.5625M - Through-hole	1	Y1
Jumper Header		0	
Jumper		0	
Resistor, VCCA Filter	10 $\Omega$	1	R1
Banana Jack	Deltron #EF681 150-039 Red	1	VCC
Banana Jack	Deltron #EF681 150-040 Black	2	VEE, SMAGND
Stand-offs		4	
NB3N3011	TSSOP-8 (Wide) device mounted on board	1	
TSSOP-8 (Wide) Socket	M&M Specialties #50-000-00659 (Optional) (480)-858-0393	Optional	



REVISION RECORD			
LTR	ECO NO.	APPROVED:	DATE
A		RSP	04/05/05

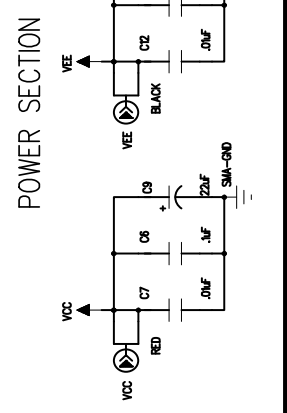
APPROVALS		DATE
DESIGN	RON PHILLIPS	04/05/05
REVIEW		
REVIEW		
REVIEW		
RELEASED		


  

 THIRD ANGLE PROJECTION	
<b>TOLERANCES</b> UNLESS OTHERWISE SPECIFIED UNITS IN (MM) DIM. 0.001 - 0.004 (0.001 - 0.003) FRACTION 1/16 (1/32) ANGLE 1/16 DEGREE	

MSM SPECIALTIES, INC. 1000 W. WASHINGTON AVE. TEMPE, AZ 85282-4598 (480) 858-0393 FAX: (480) 858-8802	
DEVICE:	NB3N3011
HANDLER:	HAND TEST
TESTER:	EVALUATION BOARD
PN:	11980
REV:	A



**ON Semiconductor** and  are registered trademarks of Semiconductor Components Industries, LLC (SCILLC). SCILLC reserves the right to make changes without further notice to any products herein. SCILLC makes no warranty, representation or guarantee regarding the suitability of its products for any particular purpose, nor does SCILLC assume any liability arising out of the application or use of any product or circuit, and specifically disclaims any and all liability, including without limitation special, consequential or incidental damages. "Typical" parameters which may be provided in SCILLC data sheets and/or specifications can and do vary in different applications and actual performance may vary over time. All operating parameters, including "Typicals" must be validated for each customer application by customer's technical experts. SCILLC does not convey any license under its patent rights nor the rights of others. SCILLC products are not designed, intended, or authorized for use as components in systems intended for surgical implant into the body, or other applications intended to support or sustain life, or for any other application in which the failure of the SCILLC product could create a situation where personal injury or death may occur. Should Buyer purchase or use SCILLC products for any such unintended or unauthorized application, Buyer shall indemnify and hold SCILLC and its officers, employees, subsidiaries, affiliates, and distributors harmless against all claims, costs, damages, and expenses, and reasonable attorney fees arising out of, directly or indirectly, any claim of personal injury or death associated with such unintended or unauthorized use, even if such claim alleges that SCILLC was negligent regarding the design or manufacture of the part. SCILLC is an Equal Opportunity/Affirmative Action Employer. This literature is subject to all applicable copyright laws and is not for resale in any manner.

## PUBLICATION ORDERING INFORMATION

### LITERATURE FULFILLMENT:

Literature Distribution Center for ON Semiconductor  
P.O. Box 5163, Denver, Colorado 80217 USA  
**Phone:** 303-675-2175 or 800-344-3860 Toll Free USA/Canada  
**Fax:** 303-675-2176 or 800-344-3867 Toll Free USA/Canada  
**Email:** [orderlit@onsemi.com](mailto:orderlit@onsemi.com)

**N. American Technical Support:** 800-282-9855 Toll Free  
USA/Canada  
**Europe, Middle East and Africa Technical Support:**  
Phone: 421 33 790 2910  
**Japan Customer Focus Center**  
Phone: 81-3-5817-1050

**ON Semiconductor Website:** [www.onsemi.com](http://www.onsemi.com)  
**Order Literature:** <http://www.onsemi.com/orderlit>  
For additional information, please contact your local  
Sales Representative