

1

2

3

4

5

6

7

A

B

C

D

E

F

A

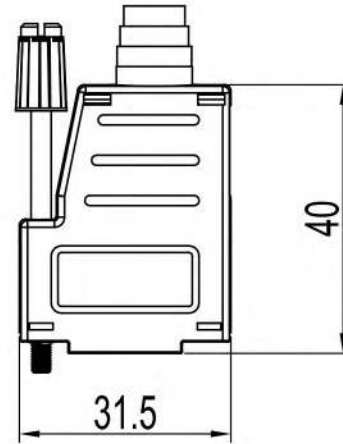
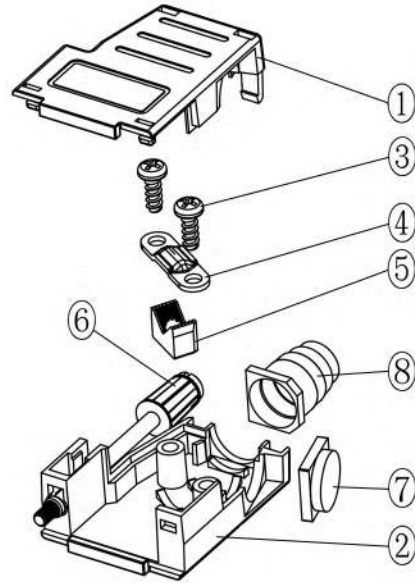
B

C

D

E

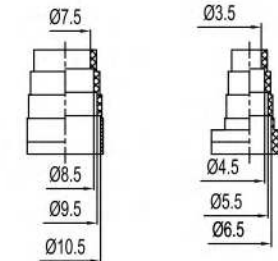
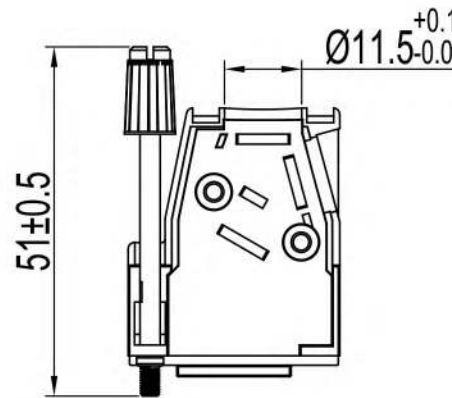
F



TECHNICAL SPECIFICATIONS

Material: ABS Plastic, UL94-HB
 Plating: Nickel over Copper
 Operating Temperature: -55°C to +110°C
 Thumbscrews: UNC 4-40

No. of contacts: 09-15-25



Metalized Grommets

Item	QTY	Part description
1	1	Upper Cover
2	1	Lower Cover
3	2	EPS 3x8 Self Tapping Screw
4	1	Cable Clamp
5	1	Metalized Plastic Insert
6	1	Jackscrews UNC4-40 x 51mm
7	1	Metalized Blanker
8	1	Metalized Grommet

RoHS compliant
 Unit: mm

Scale	Free				Date	Name	Customer-No.	
TOLERANCE					Drawn	17.08.2017	S.Bölling	
0~6	±0.10				Approved	17.08.2017	S.Bölling	
6~30	±0.20							
30~120	±0.30							
120~400	±0.50							
DIM	Tol							
Angle	±1°	Ⓢ	Drawn	17.08.2017				S.Bölling
Angle	Tol	Id.	Modification	Date				Name

Customer-No.

Drawn 17.08.2017 S.Bölling

Approved 17.08.2017 S.Bölling

ASSMANN WSW-No.
ACOV-SUB-09MB11

Drawing-No.

ASS_5252_CO

rev00

Replace

Sheet 1/3

1

2

3

4

5

6

7

SV4382

1

2

3

4

5

6

7

A

B

C

D

E

F

A

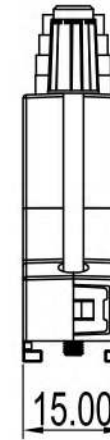
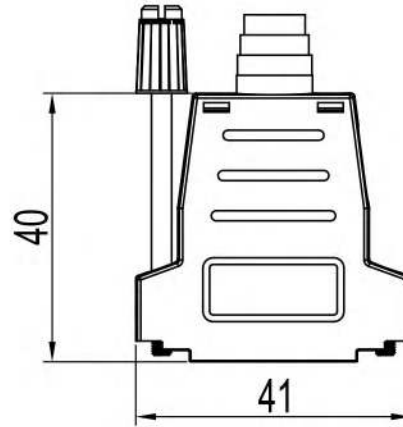
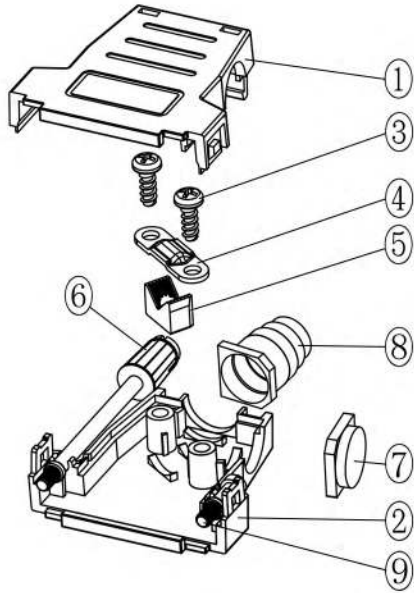
B

C

D

E

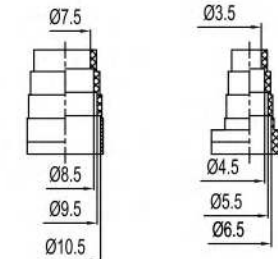
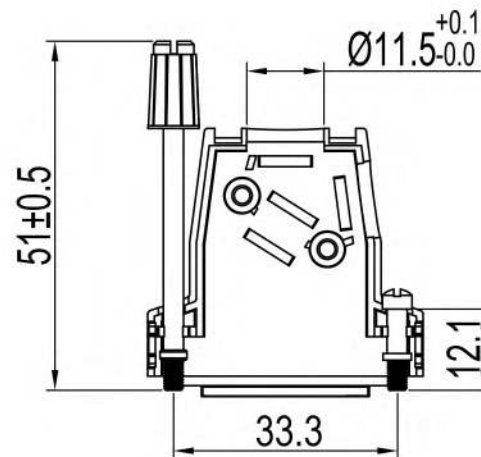
F



TECHNICAL SPECIFICATIONS

Material: ABS Plastic, UL94-HB
 Plating: Nickel over Copper
 Operating Temperature: -55°C to +110°C
 Thumbscrews: UNC 4-40

No. of contacts: 09-15-25



Metalized Grommets

Item	QTY	Part description
1	1	Upper Cover
2	1	Lower Cover
3	2	EPS 3x8 Self Tapping Screw
4	1	Cable Clamp
5	1	Metalized Plastic Insert
6	2	Jackscrews UNC4-40 x 51mm
7	1	Metalized Blanker
8	1	Metalized Grommet
9	1	Jackscrew UNC4-40 x 12.1mm

RoHS compliant
 Unit: mm

Scale	Free				Date	Name	Customer-No.	
TOLERANCE					Drawn	17.08.2017	S.Bölling	
0~6	±0.10				Approved	17.08.2017	S.Bölling	
6~30	±0.20							
30~120	±0.30							
120~400	±0.50							
DIM	Tol							
Angle	±1°	Ⓢ	Drawn	17.08.2017				S.Bölling
Angle	Tol	Id.	Modification	Date				Name

Customer-No.

Drawn 17.08.2017 S.Bölling

Approved 17.08.2017 S.Bölling

ASSMANN WSW-No.
ACOV-SUB-15MB11

Drawing-No.

ASS_5252_CO

rev00

Replace

Sheet 2/3

1

2

3

4

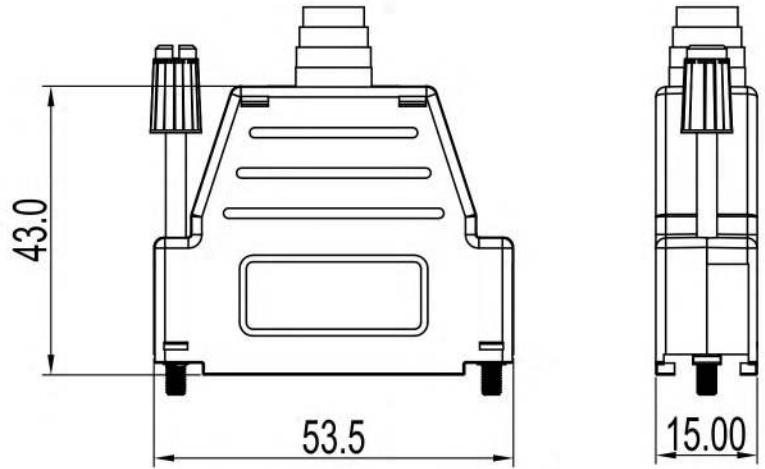
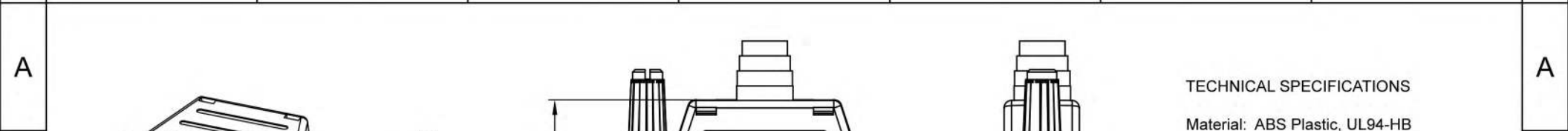
5

6

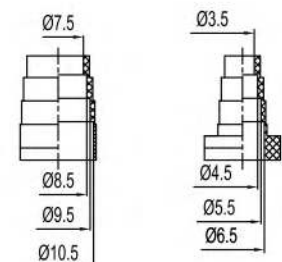
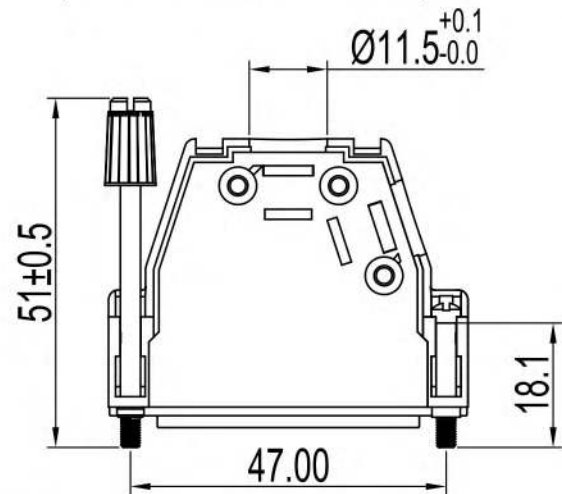
7

SV4382

1 2 3 4 5 6 7



TECHNICAL SPECIFICATIONS
 Material: ABS Plastic, UL94-HB
 Plating: Nickel over Copper
 Operating Temperature: -55°C to +110°C
 Thumbscrews: UNC 4-40
 No. of contacts: 09-15-25



Metalized Grommets

Item	QTY	Part description
1	1	Upper Cover
2	1	Lower Cover
3	2	EPS 3x8 Self Tapping Screw
4	1	Cable Clamp
5	1	Metalized Plastic Insert
6	2	Jackscrews UNC4-40 x 51mm
7	1	Metalized Blanker
8	1	Metalized Grommet
9	1	Jackscrew UNC4-40x18.1mm

RoHS compliant
 Unit: mm

Scale	Free				Date	Name	Customer-No.	
TOLERANCE					Drawn	17.08.2017	S.Bölling	
0~6	±0.10				Approved	17.08.2017	S.Bölling	
6~30	±0.20							
30~120	±0.30							
120~400	±0.50							
DIM	Tol							
Angle	±1°	Ⓞ	Drawn	17.08.2017				S.Bölling
Angle	Tol	Id.	Modification	Date				Name

Customer-No.
 ASSMANN WSW-No.
ACOV-SUB-25MB11
 Drawing-No.
ASS_5252_CO rev00
 Replace
 Sheet 3/3

1 2 3 4 5 6 7 SV4382