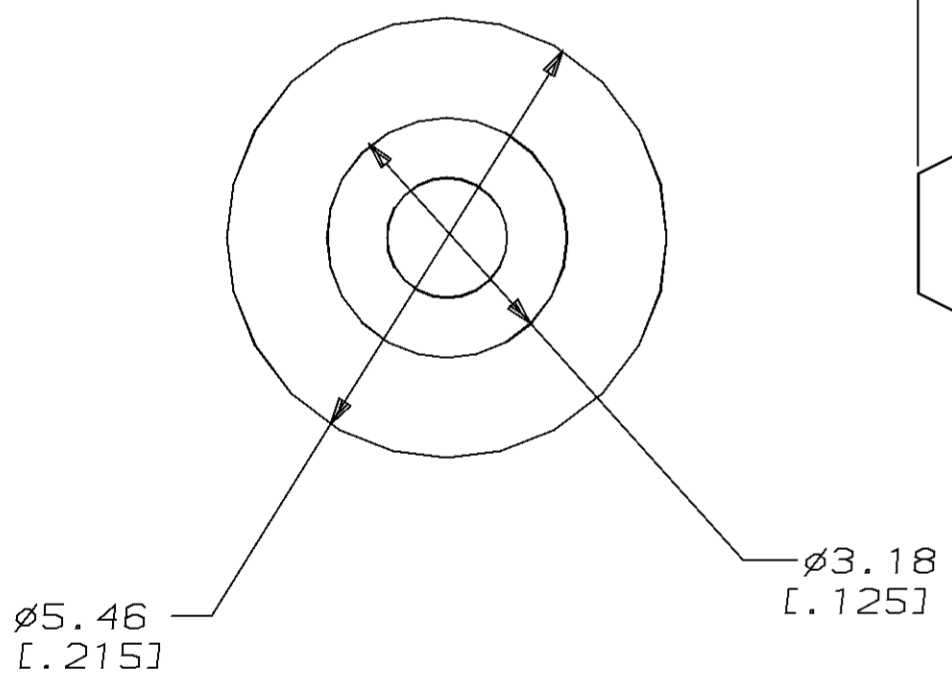
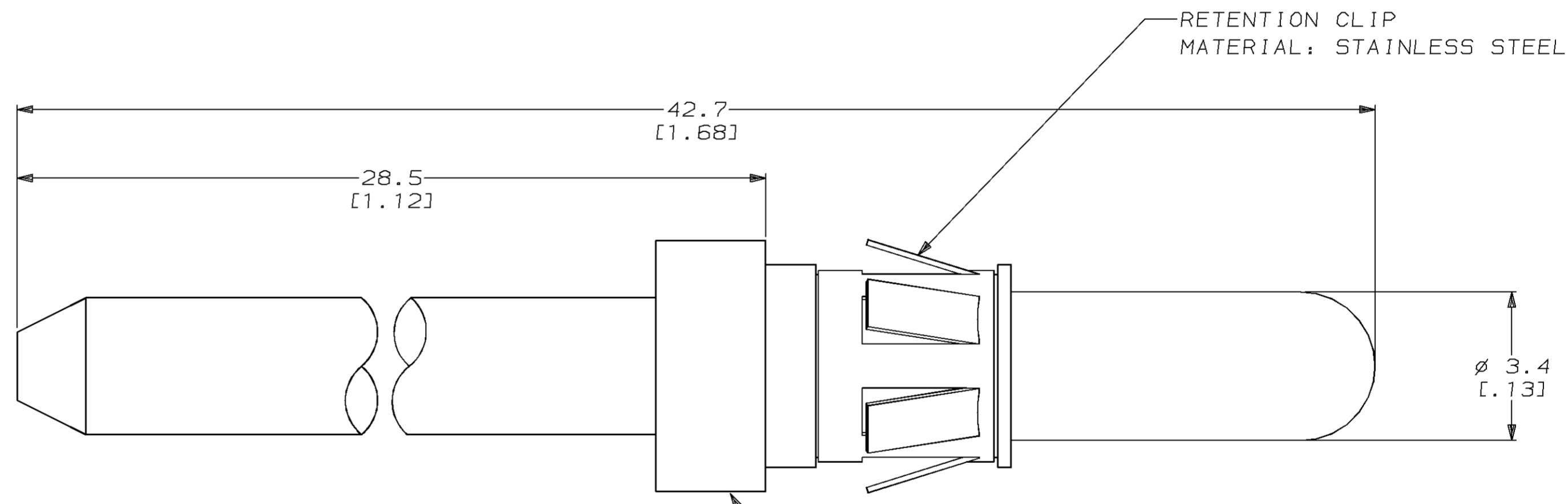
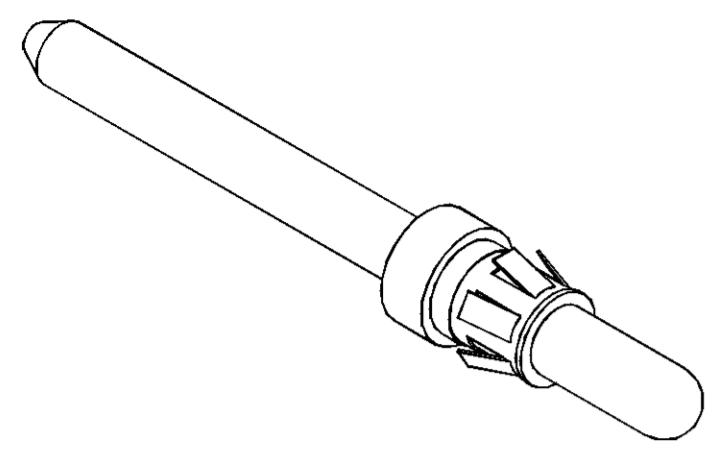


LOC	DIST	P	F	ZONE	LTR	REVISIONS	DESCRIPTION	DATE	APPD
CH	11				0	-			

1. MATES WITH AMP P/N 193813-1.



193814

193814-1
PART NO

DO NOT SCALE PRINT. UNLESS SPECIFIED DIMENSIONS IN mm [INCHES] TOLERANCES ON : 2 PLC DEC #0.5[.02] 3 PLC DEC #.25[.010] ANGLES ± -	DR 07-07-93 D.BABOW	AMP Incorporated Harrisburg, PA 17105-3608		
	CHK 11-30-93 JMT			
MATERIAL	APPD 11-30-93 SRS	PIN ASSY, SOLDER TAIL		
-	APPD 11-30-93 PRG			
FINISH	PRODUCT SPEC	SIZE	CAGE CODE	DRAWING NO
-	APPLICATION SPEC	C	00779	G=193814
-	WEIGHT	SCALE	NONE	SHEET 1 OF 1

THIS DRAWING IS A CONTROLLED DOCUMENT FOR AMP INCORPORATED. IT IS SUBJECT TO CHANGE AND THE CONTROLLING ENGINEERING ORGANIZATION SHOULD BE CONTACTED FOR THE LATEST REVISION.