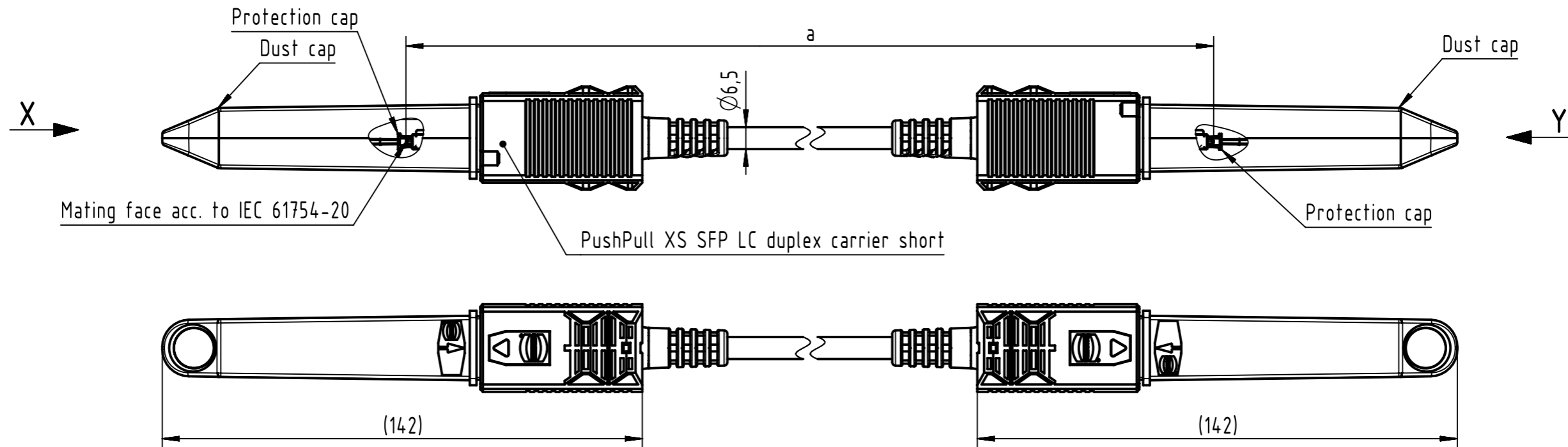


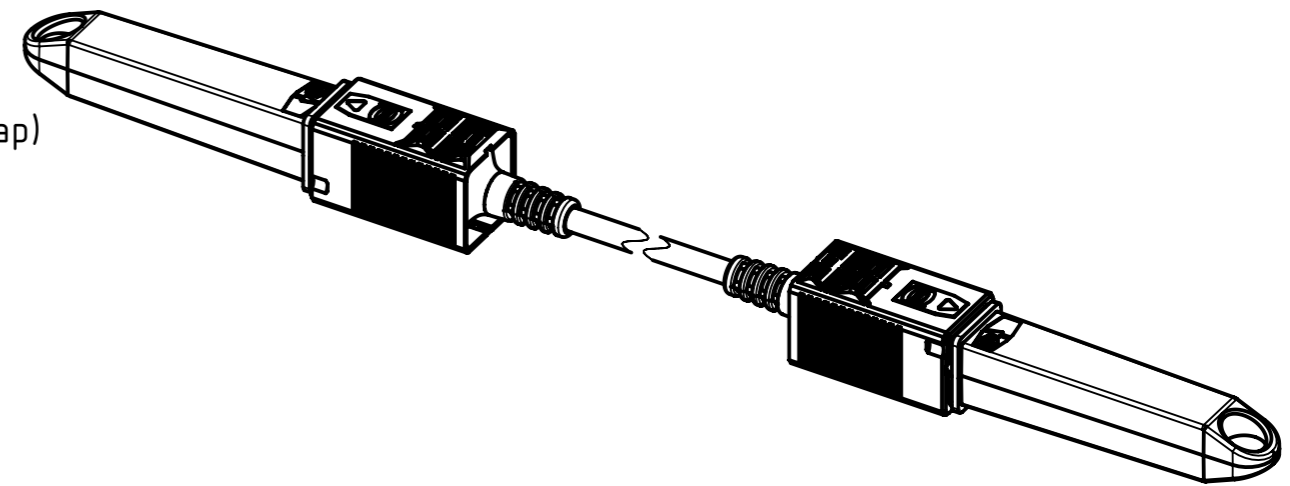
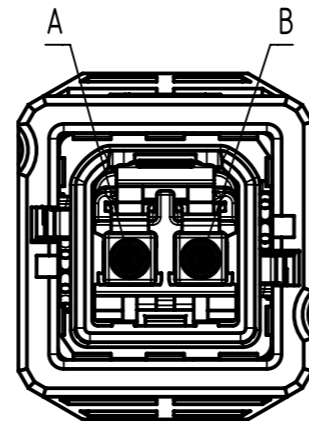
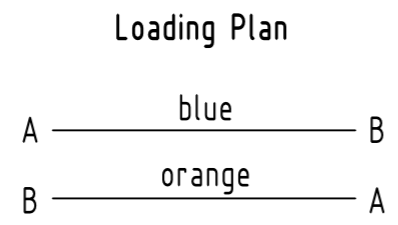
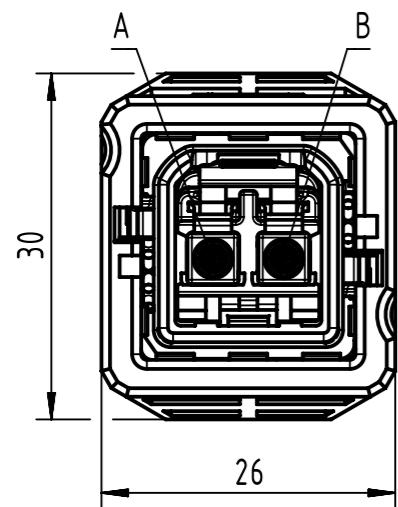
Connector Location A

Connector Location B



X  
male  
(without dust cap and protection cap)


Y  
male  
(without dust cap and protection cap)



Further information see DS 33265100000

	All rights reserved Department HCS - RO HARTING Customised Solutions D-32339 Espelkamp	All Dimensions in mm	Tech. Character.	Free size tol.	According to production drawing
		Created by 402676 Gross	Inspected by 402676 Gross	Standardisation COSTEA Costea	Date 2022-08-31
		Title PP XS LCdx Sh -PP XS LCdx Sh, MM Assy			Doc-Key / ECM-Nr. 100572207/UGD/035/E 50000219506
		Type TB	Number 3326231XXX0014		Rev. E
					Page 1/2

Cont. no.	Part no.	Type of cable	Dim. a[m]					
27	33262311000014	FO Breakout Cable, MM, 50/125µm, PUR, black, bend tolerant OM3	100	±1%	HARTING Department HCS - RO HARTING Customised Solutions D-32339 Espelkamp	All rights reserved Created by 402676 Gross Inspected by 402676 Gross Standardisation COSTEA Costea Date 2022-08-31 State Final Release Title PP XS LCdx Sh -PP XS LCdx Sh, MM Assy Type TB Number 3326231XXX0014	Free size tol.	According to production drawing
26	33262310900014		90					
25	33262310800014		80					
24	33262310700014		70					
23	33262310600014		60					
22	33262310500014		50					
21	33262310450014		45					
20	33262310400014		40					
19	33262310350014		35					
18	33262310300014		30					
17	33262310250014		25					
16	33262310200014		20					
15	33262310150014		15					
14	33262310140014		14					
13	33262310130014		13					
12	33262310120014		12					
11	33262310110014		11					
10	33262310100014		10					
9	33262310090014		9					
8	33262310080014		8					
7	33262310070014		7					
6	33262310060014		6					
5	33262310050014		5					
4	33262310040014		4					
3	33262310030014		3					
2	33262310020014		2	±0.03				
1	33262310010014		1					

	All rights reserved Department HCS - RO	Created by 402676 Gross Inspected by 402676 Gross	Standardisation COSTEA Costea	Date 2022-08-31	State Final Release
HARTING Customised Solutions D-32339 Espelkamp		Title PP XS LCdx Sh -PP XS LCdx Sh, MM Assy Type TB Number 3326231XXX0014		Doc-Key / ECM-Nr. 100572207/UGD/035/E 500000219506	Rev. E Page 2/2