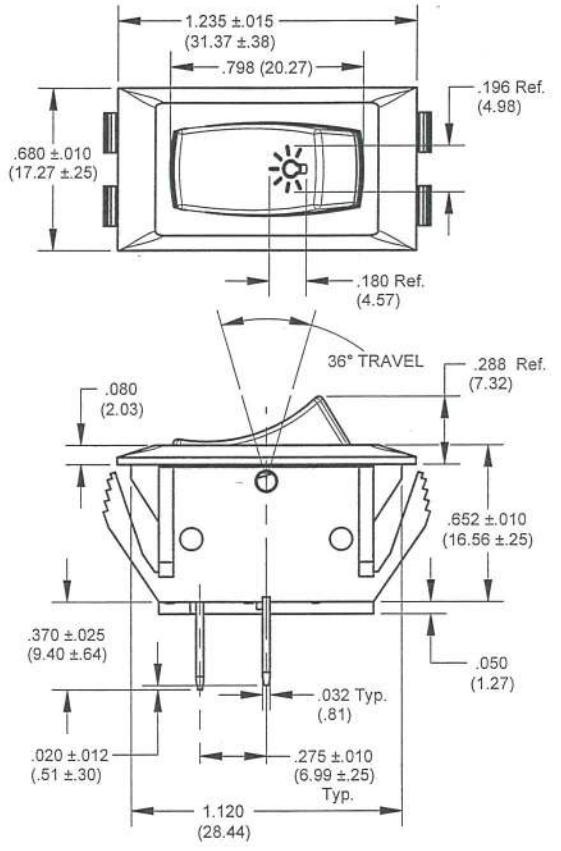
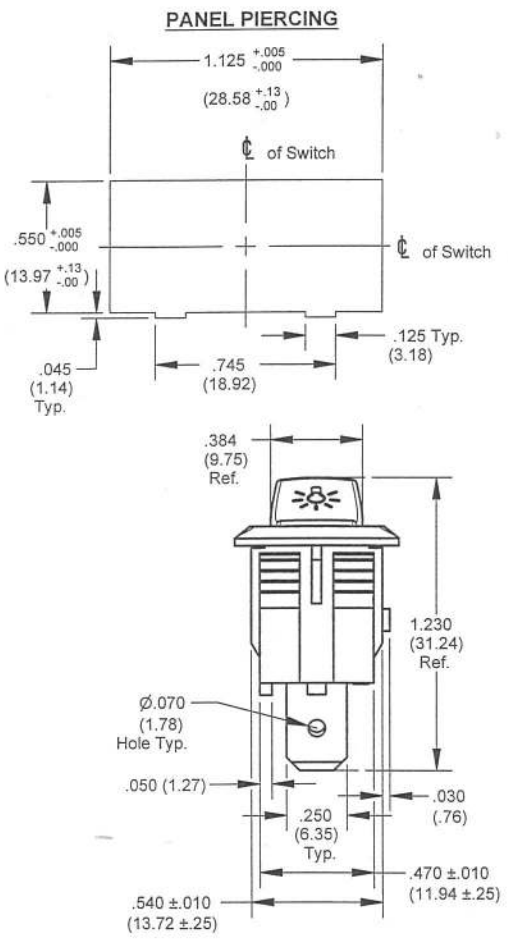


THIS INFORMATION IS CONFIDENTIAL AND PROPRIETARY TO CW INDUSTRIES INCORPORATED AND ITS AFFILIATES. IT MAY NOT BE DISCLOSED TO ANYONE OTHER THAN CW INDUSTRIES PERSONNEL, WITHOUT WRITTEN AUTHORIZATION FROM CW INDUSTRIES INCORPORATED, SOUTHAMPTON, PENNSYLVANIA USA.

F
E
D
C
B
A

DIMENSIONS IN INCHES (MILLIMETERS)
DO NOT SCALE DRAWING

REVISIONS	0	NEW JUL 03 2013 DGW 6-28-13



SWITCH COLOR - White
LEGEND COLOR - Gray

U.L. & CSA Listed
8A. 125VAC
4A. 250VAC

CW INDUSTRIES Southampton, Pa. 18966	Title: ROCKER ASSEMBLY S.P.S.T. POLARIZED 1.125"x .550" PANEL
	TOLERANCES UNLESS OTHERWISE SPECIFIED 2 Place Decimal ± .010 METRIC 3 Place Decimal ± .005 1 Place Dec. ± .25mm Angles ± 1' 2 Place Dec. ± .13mm
Made for: CW IND.	Division: SWITCH
Drawn by: DGW 6-28-13	Dwg. No. GRSH-2011-2013
Checked by: <i>G. Gold 7-2-13</i>	
Approval: <i>C. [Signature] 7/2/13</i>	

1 2 3 4 5 6 7 8 9 10

MASTER