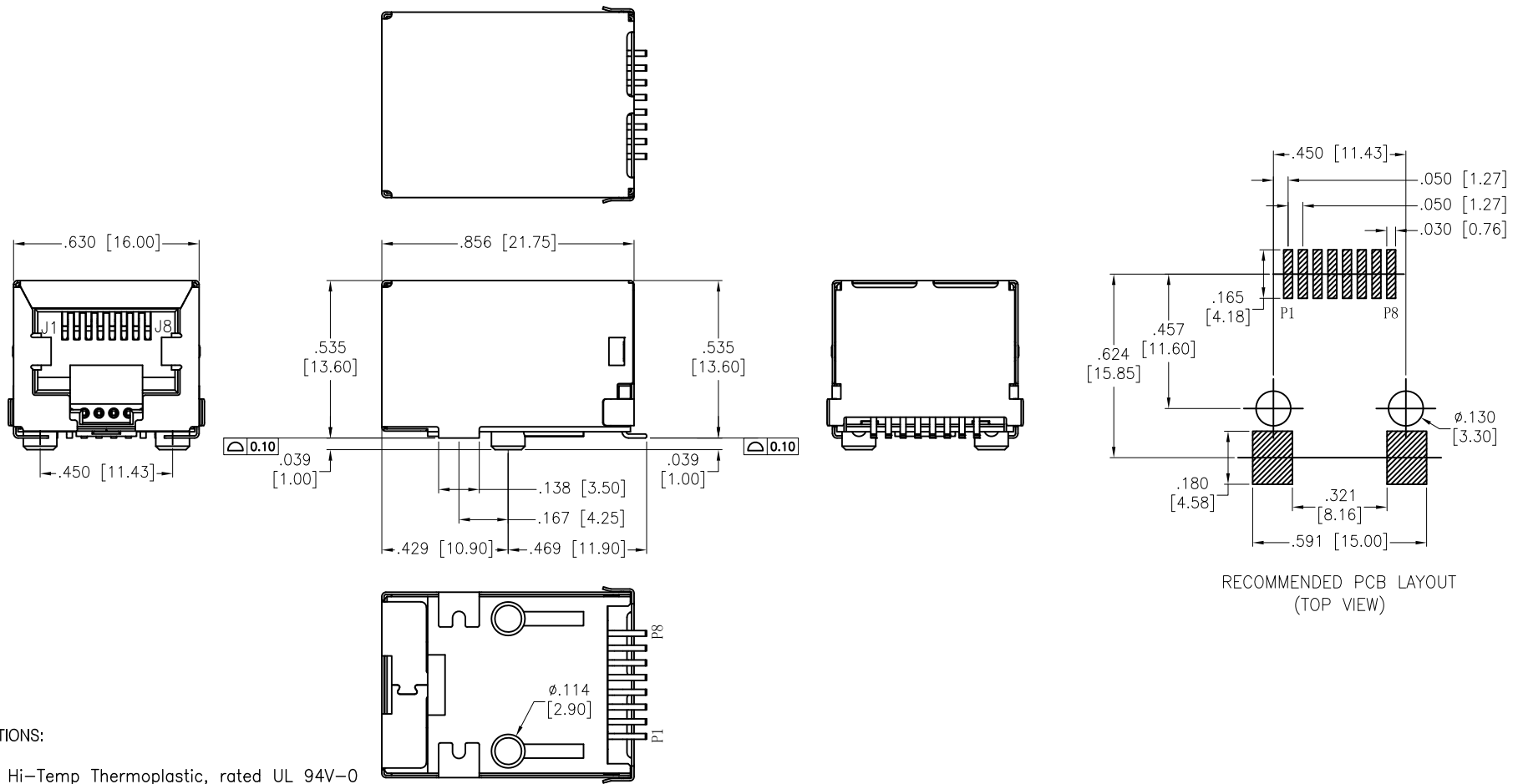


APPROVED: \_\_\_\_\_  
DATE: \_\_\_\_\_ TITLE: \_\_\_\_\_

Rev	AWO #	Description	Date	Appr
-		RELEASED	8/26/15	

D  
C  
B  
A



RECOMMENDED PCB LAYOUT  
(TOP VIEW)

**SPECIFICATIONS:**  
 Material:  
 Insulator: Hi-Temp Thermoplastic, rated UL 94V-0  
 Insulator color: Black  
 Contacts: Copper Alloy  
 Shield: Copper Alloy, Nickel plated  
 Contacts Plating:  
 Round contact  
 Gold over Nickel underplate overall  
 Flat contact  
 Gold over Nickel underplate on contact area,  
 Tin over Nickel underplate on solder tails  
 Electrical:  
 Insulation resistance: 500 Mohms min  
 Dielectric withstanding voltage: 1,500 VAC or 2,250 VDC for 1 minute  
 Temperature Rating:  
 Operating temperature: -0°C to +70°C  
 Environmental:  
 Lead free, RoHS compliant.



UNLESS OTHERWISE SPECIFIED  
 ALL DIMENSIONS ARE INCHES [MM]  
 TOLERANCES: EXCEPT AS NOTED  
 INCHES HOLES

.X ± .10	Ø.X ± .10
.XX ± .020	Ø.XX ± .015
.XXX ± .015	Ø.XXX ± .010

APPROVALS		DATE
DRAWN	AY	8/26/15
CHECKED	TW	8/26/15
APPROVED		

**ADAM TECH** INTERCONNECTS

909 Rahway Avenue,  
 Union, NJ 07083  
 Phone: 908-687-5000  
 Fax: 908-687-5710

TITLE: MODULAR TELEPHONE JACK, 1 PORT, 8P8C  
 FULL SHIELD, SURFACE MOUNT TYPE

SIZE	PART NO.	REV.
X	MTJ-88TX1-FS-M4Y-SMT	-

REF: S00101C SCALE: NTS SHEET 1 OF 2

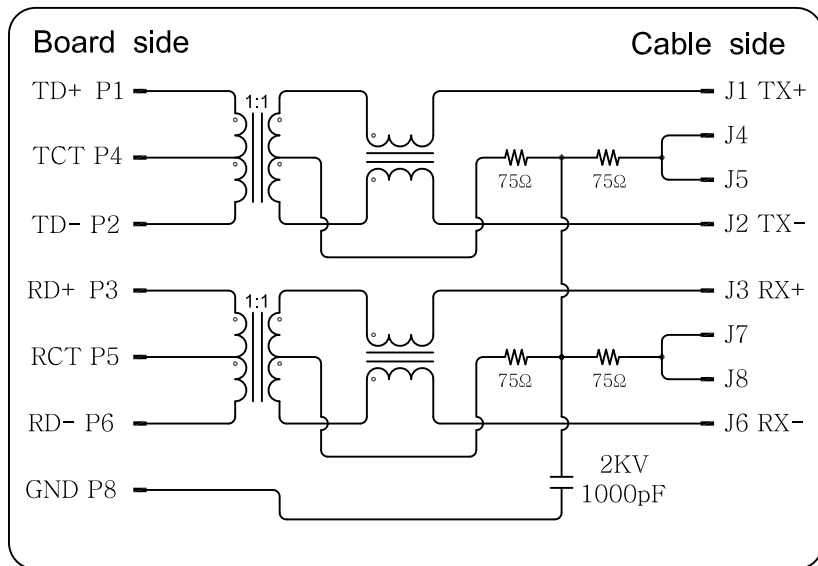
D  
C  
B  
A

APPROVED: \_\_\_\_\_

DATE: \_\_\_\_\_ TITLE: \_\_\_\_\_

Rev	AWO #	Description	Date	Appr
-----	-------	-------------	------	------

SEE SHT 1 OF 2 FOR REVISION



ELECTRICAL CHARACTERISTICS :

- INSERTION LOSS :
  - 1~100 MHZ -1.0dB MAX.
- RETURN LOSS(LOAD 100Ω) :
  - 1~30 MHZ -18dB MIN
  - 30~60 MHZ -16dB MIN
  - 60~80 MHZ -10dB MIN
- COMMON MODE REJECTION
  - 1~100 MHZ -30dB MIN
- CROSS TALK
  - 1~100 MHZ -30dB MIN
- INDUCTANCE @ 100KHZ, 0.1V, 8MA DC BIAS
  - (P1-P2),(P3-P6) : 350 uH MIN
- DCR
  - (J1-J2),(J3-J6) : 1.2 Ohm MAX
- HI-POT TEST
  - PCB SIDE TO CABLE SIDE : 1500VAC 60S OR 2250VDC 60S
- URNS RATION 100KHZ
  - (P1-P2) : (J1-J2) = 1:1 ±%3
  - (P3-P6) : (J3-J6) = 1:1 ±%3

UNLESS OTHERWISE SPECIFIED  
 ALL DIMENSIONS ARE INCHES [MM]  
 TOLERANCES: EXCEPT AS NOTED  
 INCHES HOLES

.X ± .10	∅.X ± .10
.XX ± .020	∅.XX ± .015
.XXX ± .015	∅.XXX ± .010

**ADAM TECH**  
**INTERCONNECTS**

909 Rahway Avenue,  
 Union, NJ 07083  
 Phone: 908-687-5000  
 Fax: 908-687-5710

TITLE  
 MODULAR TELEPHONE JACK, 1 PORT, 8P8C  
 FULL SHIELD, SURFACE MOUNT TYPE

APPROVALS		DATE
DRAWN	AY	8/26/15
CHECKED	TW	8/26/15
APPROVED		

SIZE	PART NO.	REV.
X	MTJ-88TX1-FS-M4Y-SMT	-
REF:	S00101C	SCALE: NTS SHEET 2 OF 2