

SCE扣式系列

SCE Module Series

扣式系列


V-TYPE

H-TYPE

C-TYPE

产品特性 / Product and dimensions

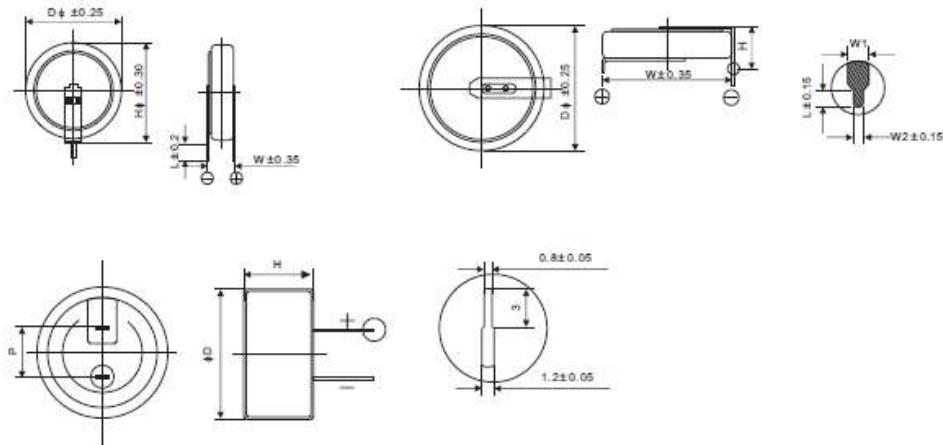
较宽的使用温度 -25℃~+70℃；充放电循环寿命长，漏电流低，适合时钟芯片数据保持；多种结构安装时可选择**V、H、C**型；

Wide work temperature range from -25 to +70; Long cycle life, low leakage current, low leakage current, Suitable for clock chip data retention; Selectable solder type of V, H, C.

产品性能 / Product performance

| 项目Item | 特性 Performance Characteristics | 测试条件 (依据IEC62391-1) According to IEC62391-1 |
|--|--|--|
| 工作温度范围 Working temperature range | -25℃~+70℃ | |
| 额定工作电压 Rated voltage | 5.5v | |
| 浪涌工作电压 Surge voltage | 6.5v | |
| 标称容量范围 Nominal capacitance range | 0.1F~4.0F | |
| 容量允许偏差 Capacitance tolerance | -20%~+80% | 依据IEC62391-1要求 According to IEC62391-1 |
| 控制容量偏差 Controlled capacitance tolerance | -10%~+20% | |
| 等效串联内阻 ESR | 依据规定值 On the basis of the specified value | 1KHz, 100mA 常温条件下测量 Measure @ 1KHz, 100mA, room temperature |
| 漏电流 Leakage current (24h, I.C) | 依据规定值 On the basis of the specified value | 额定电压, 充电24h Rated voltage, charging for 24h |
| 耐久性 Loading life | +70℃下采用额定电压1000小时后, 电容器符合规定的限制 After 1000 hours application of rated voltage at 70, the capacitance shall meet the following requirement; | |
| | 容量变化 Capacitance change | ≤30%初始测试值 Not more than 30% of the initial measured capacitance value |
| | 等效串联内阻变化 ESR change | ≤3倍初始规定值 No more than 3 times of specified ESR value |
| | 漏电流 Leakage Current | 满足初始规定值 Meet the initial specified value |
| 贮存寿命 Shelf life | +70℃下贮存1000小时后电容器符合规定的限值。 After storage for 1000 hours at +70℃, the capacitors shall meet the requirement of loading life above | |
| 循环次数 Cycles | 在+25℃下, 用恒定电流使电容器在规定的电压和半额定电压间循环充放电 (5×10 ⁵ 次) The capacitors shall be charged/discharged with constant current between the U _r and 1/2U _r maintained at 25 for 5×10 ⁵ cycles After removing the current at room temperature, they meet the following requirement: | |
| | 容量变化 Capacitance change | ≤30%初始测试值 No more than 30% of the initial measured capacitance value |
| | 等效串联内阻变化 ESR change | ≤3倍初始规定值 Not more than 3 times of specified ESR value |
| | 漏电流 Leakage Current | 满足初始规定值 Meet the initial specified value |

标准产品外型尺寸图 / Shape of standard product



标准产品规定值及尺寸 / Standard product and dimensions

| 型号 Part number | 额定电压(V) Rated voltage | 容量(F) Capacitance | 最大内阻(Ω) MAX. ESR, (@1kHz) | 24h漏电流 (μA) | φD×H ±0.5 (mm) | F±0.5 (mm) |
|-------------------|--------------------------|----------------------|---------------------------------|----------------|-------------------|---------------|
| SCE5R5V104 | 5.5 | 0.1 | 50 | 5 | 11.5×4.5 | 5 |
| SCE5R5V224 | 5.5 | 0.22 | 40 | 5 | 11.5×4.5 | 5 |
| SCE5R5V334 | 5.5 | 0.33 | 40 | 8 | 11.5×4.5 | 5 |
| SCE5R5V474 | 5.5 | 0.47 | 20 | 8 | 11.5×4.5 | 5 |
| SCE5R5V105 | 5.5 | 1.0 | 15 | 10 | 19.5×4.5 | 5 |
| SCE5R5V155 | 5.5 | 1.5 | 10 | 10 | 19.5×4.5 | 5 |
| SCE5R5V405 | 5.5 | 4.0 | 10 | 15 | 24.8×6.7 | 7 |
| SCE5R5V505 | 5.5 | 5.0 | 10 | 15 | 24.8×6.7 | 7 |
| SCE5R5H104 | 5.5 | 0.1 | 50 | 5 | 11.5×4.5 | 11.5 |
| SCE5R5H224 | 5.5 | 0.22 | 40 | 5 | 11.5×4.5 | 11.5 |
| SCE5R5H334 | 5.5 | 0.33 | 40 | 8 | 11.5×4.5 | 11.5 |
| SCE5R5H474 | 5.5 | 0.47 | 20 | 8 | 11.5×4.5 | 11.5 |
| SCE5R5H105 | 5.5 | 1.0 | 15 | 10 | 19.5×6.5 | 19.5 |
| SCE5R5H155 | 5.5 | 1.5 | 10 | 10 | 19.5×6.5 | 19.5 |
| SCE5R5H405 | 5.5 | 4.0 | 10 | 15 | 24.8×6.7 | 24.8 |
| SCE5R5H505 | 5.5 | 5.0 | 10 | 15 | 24.8×6.7 | 24.8 |
| SCE5R5C104 | 5.5 | 0.1 | 50 | 5 | 13.5×6.5 | 5 |
| SCE5R5C224 | 5.5 | 0.22 | 40 | 5 | 13.5×6.5 | 5 |
| SCE5R5C334 | 5.5 | 0.33 | 40 | 8 | 13.5×6.5 | 5 |
| SCE5R5C474 | 5.5 | 0.47 | 20 | 8 | 13.5×6.5 | 5 |
| SCE5R5C105 | 5.5 | 1.0 | 15 | 10 | 21×7.5 | 5 |
| SCE5R5C155 | 5.5 | 1.5 | 10 | 10 | 21×7.5 | 5 |