

NOTES:

1. MATERIALS:

INSERT OVERMOLD - THERMOPLASTIC, BLACK.
 RETAINING NUT - BRASS, NICKEL PLATED.
 HOUSING - ZINC ALLOY.

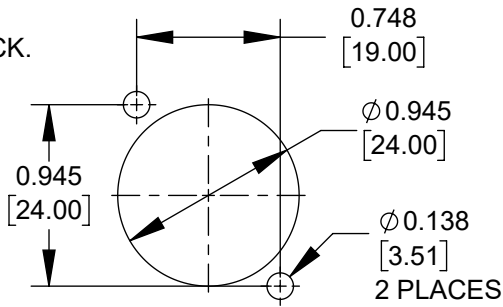
ⓑ CABLE- SHIELDED, BLACK PVC.

2. DATA RATE- 5Gbps. FULLY MATED.

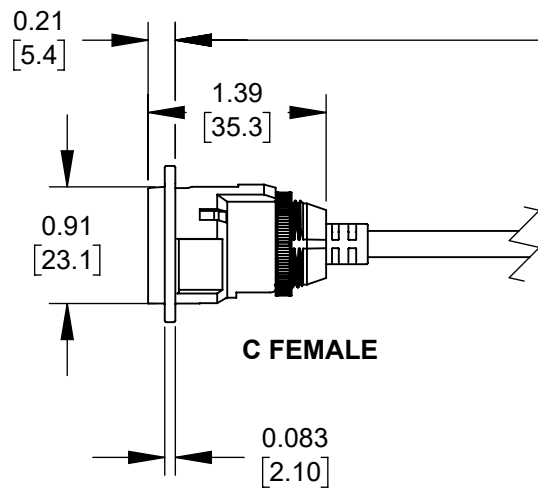
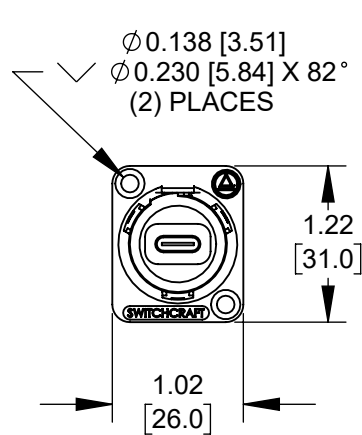
3. CURRENT- 5A.

4. TWO #4-40 MOUNTING SCREWS INCLUDED.

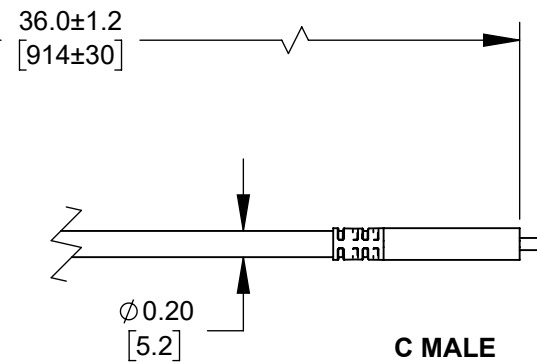
5. THIS PRODUCT IS RoHS COMPLIANT.



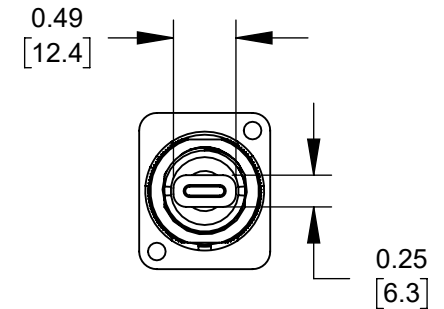
RECOMMENDED PANEL CUT-OUT



C FEMALE



C MALE



PART NUMBER	HOUSING FINISH
EHUSB31CFCM	NICKEL
EHUSB31CFCMB	BLACK CHROME

CUSTOMER DRAWING

THIS DRAWING DESCRIBES A DESIGN CONSIDERED PROPRIETARY IN NATURE, DEVELOPED AND MANUFACTURED BY SWITCHCRAFT INC. AND IS RELEASED ON A CONFIDENTIAL BASIS FOR IDENTIFICATION PURPOSES ONLY.

REV	ECO NUMBER	DATE	BY	APVD
B	28370	03/19/21	PC	TJK
A	28200	08/30/19	PC	TJK

UNLESS OTHERWISE SPECIFIED
 1. ALL DIMENSIONS IN INCHES [mm]
 - TWO PLACE DECIMALS ±0.02 [0.5]
 - THREE PLACE DECIMALS ±0.005 [0.13]

SIZE	WIDTH	MULT	LBS/M	TEMPER
FINISH			MATERIAL	
SEE TABLE			SPEC No.	
FIRST USED ON		SCALE		
		1:8		
DATE DRAWN	BY	CHKD	APVD	
11/30/18	NS	NS	SRC	
		11/30/18	11/30/18	
NAME			PART No.	REV
ⓑ EH SERIES, SHIELDED USB EXTENSION CABLE, CF-CM, RoHS			EHUSB31CFCM	B



SHEET 1 OF 1

DO NOT SCALE DRAWING

SolidWorks CAD File

