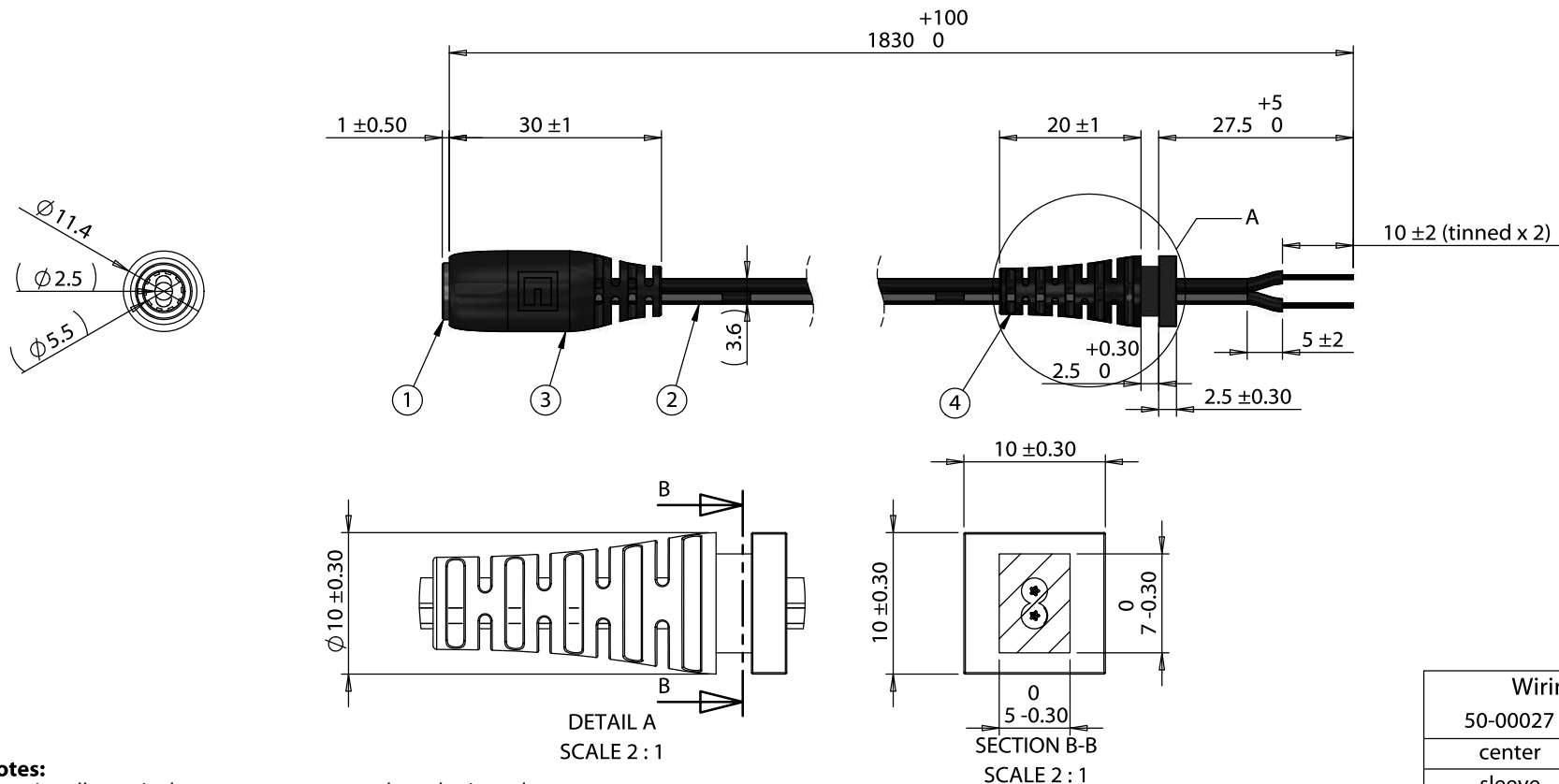


ITEM NO.	PART NUMBER	DESCRIPTION	QTY.	COMPONENT NOTES
1	50-00027	Connector, dc jack, 5.5x2.5xL17.4 mm, molding style	1	
2	30-00003	Wire, 2C BC, 24 AWG, UL2468, 300V, 80C, 3.6 mm, VW-1, PVC, 76A	1	
3	24-00004	Overmold, PVC	1	black
4	24-00251	Overmold, strain relief, 7x5x2.5 mm bushing, UL2468 wire	1	black



Notes:
Functionally equivalent components may be substituted

Revision:	Date:	Description:	Prepared:	Notes:	<h1>TENSILITY</h1> tel 1.541.323.3228 800 877.670.7118 fax 1.541.323.4202 web tensility.com
A	03/28/2018	Initial release	GL Digitally signed by GL Date: 2018.04.09 12:00:23 -07'00'		
			Verified:	Function test: no open, no short circuit, no intermittent	Size: A
			JP Digitally signed by JP Date: 2018.04.09 14:38:26 -07'00'	Description:	Part number: 10-02959
			Dimensions are in millimeters. Tolerances: X: ± 0.5 mm X.X: ± 0.3 mm X.XX: ± 0.05 mm	Cable, 1830 mm, 5.5x2.5 mm 50-00027 dc jack to strain relief 10 mm tinned, 24 AWG, UL2468 wire	Scale: 1:1
					Sheet 1 of 1

5

4

3

2

1